

# [MS-PPSAPP]:

## PerformancePoint Services Application Server Protocol

---

### Intellectual Property Rights Notice for Open Specifications Documentation

- **Technical Documentation.** Microsoft publishes Open Specifications documentation for protocols, file formats, languages, standards as well as overviews of the interaction among each of these technologies.
- **Copyrights.** This documentation is covered by Microsoft copyrights. Regardless of any other terms that are contained in the terms of use for the Microsoft website that hosts this documentation, you may make copies of it in order to develop implementations of the technologies described in the Open Specifications and may distribute portions of it in your implementations using these technologies or your documentation as necessary to properly document the implementation. You may also distribute in your implementation, with or without modification, any schema, IDL's, or code samples that are included in the documentation. This permission also applies to any documents that are referenced in the Open Specifications.
- **No Trade Secrets.** Microsoft does not claim any trade secret rights in this documentation.
- **Patents.** Microsoft has patents that may cover your implementations of the technologies described in the Open Specifications. Neither this notice nor Microsoft's delivery of the documentation grants any licenses under those or any other Microsoft patents. However, a given Open Specification may be covered by Microsoft [Open Specification Promise](#) or the [Community Promise](#). If you would prefer a written license, or if the technologies described in the Open Specifications are not covered by the Open Specifications Promise or Community Promise, as applicable, patent licenses are available by contacting [iplg@microsoft.com](mailto:iplg@microsoft.com).
- **Trademarks.** The names of companies and products contained in this documentation may be covered by trademarks or similar intellectual property rights. This notice does not grant any licenses under those rights. For a list of Microsoft trademarks, visit [www.microsoft.com/trademarks](http://www.microsoft.com/trademarks).
- **Fictitious Names.** The example companies, organizations, products, domain names, e-mail addresses, logos, people, places, and events depicted in this documentation are fictitious. No association with any real company, organization, product, domain name, email address, logo, person, place, or event is intended or should be inferred.

**Reservation of Rights.** All other rights are reserved, and this notice does not grant any rights other than specifically described above, whether by implication, estoppel, or otherwise.

**Tools.** The Open Specifications do not require the use of Microsoft programming tools or programming environments in order for you to develop an implementation. If you have access to Microsoft programming tools and environments you are free to take advantage of them. Certain Open Specifications are intended for use in conjunction with publicly available standard specifications and network programming art, and assumes that the reader either is familiar with the aforementioned material or has immediate access to it.

**Preliminary Documentation.** This Open Specification provides documentation for past and current releases and/or for the pre-release version of this technology. This Open Specification is final documentation for past or current releases as specifically noted in the document, as applicable; it is preliminary documentation for the pre-release versions. Microsoft will release final documentation in connection with the commercial release of the updated or new version of this technology. As the documentation may change between this preliminary version and the final version of this technology, there are risks in relying on preliminary documentation. To the extent that you incur additional

development obligations or any other costs as a result of relying on this preliminary documentation, you do so at your own risk.

Preliminary

## Revision Summary

Date	Revision History	Revision Class	Comments
7/13/2009	0.1	Major	Initial Availability
8/28/2009	0.2	Editorial	Revised and edited the technical content
11/6/2009	0.3	Editorial	Revised and edited the technical content
2/19/2010	1.0	Major	Updated and revised the technical content
3/31/2010	1.01	Editorial	Revised and edited the technical content
4/30/2010	1.02	Editorial	Revised and edited the technical content
6/7/2010	1.03	Minor	Updated the technical content
6/29/2010	1.04	Editorial	Changed language and formatting in the technical content.
7/23/2010	1.04	No Change	No changes to the meaning, language, or formatting of the technical content.
9/27/2010	1.04	No Change	No changes to the meaning, language, or formatting of the technical content.
11/15/2010	1.04	No Change	No changes to the meaning, language, or formatting of the technical content.
12/17/2010	1.04	No Change	No changes to the meaning, language, or formatting of the technical content.
3/18/2011	1.04	No Change	No changes to the meaning, language, or formatting of the technical content.
6/10/2011	1.04	No Change	No changes to the meaning, language, or formatting of the technical content.
1/20/2012	2.0	Major	Significantly changed the technical content.
4/11/2012	2.0	No Change	No changes to the meaning, language, or formatting of the technical content.
7/16/2012	2.0	No Change	No changes to the meaning, language, or formatting of the technical content.
9/12/2012	2.0	No Change	No changes to the meaning, language, or formatting of the technical content.
10/8/2012	3.0	Major	Significantly changed the technical content.
2/11/2013	4.0	Major	Significantly changed the technical content.
7/30/2013	4.1	Minor	Clarified the meaning of the technical content.
11/18/2013	4.1	No Change	No changes to the meaning, language, or formatting of the technical content.
2/10/2014	4.1	No Change	No changes to the meaning, language, or formatting of the technical content.
4/30/2014	4.1	No Change	No changes to the meaning, language, or formatting of the technical content.

<b>Date</b>	<b>Revision History</b>	<b>Revision Class</b>	<b>Comments</b>
7/31/2014	4.1	No Change	No changes to the meaning, language, or formatting of the technical content.
8/24/2015	5.0	Major	Significantly changed the technical content.

Preliminary

# Table of Contents

<b>1</b>	<b>Introduction .....</b>	<b>16</b>
1.1	Glossary .....	16
1.2	References .....	19
1.2.1	Normative References .....	20
1.2.2	Informative References .....	21
1.3	Overview .....	21
1.4	Relationship to Other Protocols .....	21
1.5	Prerequisites/Preconditions .....	21
1.6	Applicability Statement .....	22
1.7	Versioning and Capability Negotiation .....	22
1.8	Vendor-Extensible Fields .....	22
1.9	Standards Assignments.....	22
<b>2</b>	<b>Messages.....</b>	<b>23</b>
2.1	Transport .....	23
2.2	Common Message Syntax .....	23
2.2.1	Namespaces .....	23
2.2.2	Messages.....	24
2.2.2.1	Faults .....	24
2.2.2.1.1	SOAP Fault Detail Element.....	24
2.2.2.1.2	Full List of Possible Error Codes.....	24
2.2.2.1.3	Common List of Error Codes .....	25
2.2.3	Elements .....	25
2.2.4	Complex Types.....	25
2.2.4.1	ArrayOfArrayOfKeyValueOfstringanyType .....	26
2.2.4.2	ArrayOfArrayOfString .....	26
2.2.4.3	ArrayOfBIData .....	27
2.2.4.4	ArrayOfKeyValueOfstringanyType .....	27
2.2.4.5	ArrayOfScriptDependency .....	28
2.2.4.6	ArrayOfSubstitutionPair .....	28
2.2.4.7	BIData .....	28
2.2.4.8	BpmException .....	29
2.2.4.9	DecompQueryParameters.....	29
2.2.4.10	DictionaryWrapperOfStringListOfString .....	30
2.2.4.11	DictionaryWrapperOfStringString .....	30
2.2.4.12	ExportSettings.....	30
2.2.4.13	OfficeExportInfo.....	31
2.2.4.14	ParameterMessage .....	31
2.2.4.15	ParameterSearchResultRecord .....	32
2.2.4.16	ResourceDependencies .....	32
2.2.4.17	ScriptDependency .....	33
2.2.4.18	Setting .....	33
2.2.4.19	SubstitutionPair .....	36
2.2.4.20	WebPartContext.....	36
2.2.4.21	WebPartContextUpdate.....	37
2.2.4.22	DictionaryWrapperOfStringArrayOfString .....	37
2.2.5	Simple Types .....	38
2.2.5.1	ExportFormat .....	38
2.2.5.2	SettingType.....	38
2.2.6	Attributes .....	39
2.2.7	Groups .....	39
2.2.8	Attribute Groups.....	39
2.2.9	Common Data Structures .....	39
<b>3</b>	<b>Protocol Details .....</b>	<b>40</b>

3.1	Server Details.....	40
3.1.1	Abstract Data Model.....	40
3.1.2	Timers .....	43
3.1.3	Initialization.....	43
3.1.4	Message Processing Events and Sequencing Rules .....	43
3.1.4.1	CreateNavigationMetadata .....	49
3.1.4.1.1	Messages .....	49
3.1.4.1.1.1	IBIMonitoringServiceApplication_CreateNavigationMetadata_InputMessage.....	50
3.1.4.1.1.2	IBIMonitoringServiceApplication_CreateNavigationMetadata_OutputMessage.....	50
3.1.4.1.2	Elements.....	50
3.1.4.1.2.1	CreateNavigationMetadata .....	50
3.1.4.1.2.2	CreateNavigationMetadataResponse .....	51
3.1.4.1.3	Complex Types .....	51
3.1.4.1.4	Simple Types .....	51
3.1.4.1.5	Attributes .....	51
3.1.4.1.6	Groups.....	51
3.1.4.1.7	Attribute Groups.....	51
3.1.4.2	CreateReportHtml .....	52
3.1.4.2.1	Messages .....	52
3.1.4.2.1.1	IBIMonitoringServiceApplication_CreateReportHtml_InputMessage ..	52
3.1.4.2.1.2	IBIMonitoringServiceApplication_CreateReportHtml_OutputMessage	53
3.1.4.2.2	Elements.....	53
3.1.4.2.2.1	CreateReportHtml .....	53
3.1.4.2.2.2	CreateReportHtmlResponse.....	54
3.1.4.2.3	Complex Types .....	54
3.1.4.2.4	Simple Types .....	54
3.1.4.2.5	Attributes .....	54
3.1.4.2.6	Groups.....	54
3.1.4.2.7	Attribute Groups.....	54
3.1.4.3	DecompStartAnalyze .....	55
3.1.4.3.1	Messages .....	55
3.1.4.3.1.1	IBIMonitoringServiceApplication_DecompStartAnalyze_InputMessage	55
3.1.4.3.1.2	IBIMonitoringServiceApplication_DecompStartAnalyze_OutputMessage	55
3.1.4.3.2	Elements.....	56
3.1.4.3.2.1	DecompStartAnalyze .....	56
3.1.4.3.2.2	DecompStartAnalyzeResponse.....	56
3.1.4.3.3	Complex Types .....	57
3.1.4.3.3.1	DecompTupleRecord.....	57
3.1.4.3.4	Simple Types .....	57
3.1.4.3.5	Attributes .....	57
3.1.4.3.6	Groups.....	57
3.1.4.3.7	Attribute Groups.....	57
3.1.4.4	ExportReport .....	57
3.1.4.4.1	Messages .....	58
3.1.4.4.1.1	IBIMonitoringServiceApplication_ExportReport_InputMessage .....	58
3.1.4.4.1.2	IBIMonitoringServiceApplication_ExportReport_OutputMessage .....	58
3.1.4.4.2	Elements.....	59
3.1.4.4.2.1	ExportReport.....	59
3.1.4.4.2.2	ExportReportResponse .....	59
3.1.4.4.3	Complex Types .....	60
3.1.4.4.4	Simple Types .....	60
3.1.4.4.5	Attributes .....	60
3.1.4.4.6	Groups.....	60

3.1.4.4.7	Attribute Groups.....	60
3.1.4.5	ExportScorecard .....	60
3.1.4.5.1	Messages .....	61
3.1.4.5.1.1	IBIMonitoringServiceApplication_ExportScorecard_InputMessage.....	61
3.1.4.5.1.2	IBIMonitoringServiceApplication_ExportScorecard_OutputMessage...	61
3.1.4.5.2	Elements .....	61
3.1.4.5.2.1	ExportScorecard .....	61
3.1.4.5.2.2	ExportScorecardResponse .....	62
3.1.4.5.3	Complex Types .....	62
3.1.4.5.4	Simple Types .....	62
3.1.4.5.5	Attributes .....	62
3.1.4.5.6	Groups.....	62
3.1.4.5.7	Attribute Groups.....	62
3.1.4.6	GetDrillThroughPreview .....	62
3.1.4.6.1	Messages .....	63
3.1.4.6.1.1	IBIMonitoringServiceApplication_GetDrillThroughPreview_InputMessage .....	63
3.1.4.6.1.2	IBIMonitoringServiceApplication_GetDrillThroughPreview_OutputMessage e .....	63
3.1.4.6.2	Elements .....	63
3.1.4.6.2.1	GetDrillThroughPreview .....	64
3.1.4.6.2.2	GetDrillThroughPreviewResponse.....	64
3.1.4.6.3	Complex Types .....	65
3.1.4.6.3.1	_dd .....	65
3.1.4.6.4	Simple Types .....	67
3.1.4.6.5	Attributes .....	67
3.1.4.6.6	Groups.....	67
3.1.4.6.7	Attribute Groups.....	67
3.1.4.7	GetFilterDependencies .....	67
3.1.4.7.1	Messages .....	68
3.1.4.7.1.1	IBIMonitoringServiceApplication_GetFilterDependencies_InputMessage .....	68
3.1.4.7.1.2	IBIMonitoringServiceApplication_GetFilterDependencies_OutputMessage .....	68
3.1.4.7.2	Elements .....	68
3.1.4.7.2.1	GetFilterDependencies.....	68
3.1.4.7.2.2	GetFilterDependenciesResponse.....	69
3.1.4.7.3	Complex Types .....	69
3.1.4.7.4	Simple Types .....	69
3.1.4.7.5	Attributes .....	69
3.1.4.7.6	Groups.....	69
3.1.4.7.7	Attribute Groups.....	69
3.1.4.8	GetFilterDisplayData.....	69
3.1.4.8.1	Messages .....	70
3.1.4.8.1.1	IBIMonitoringServiceApplication_GetFilterDisplayData_InputMessage	71
3.1.4.8.1.2	IBIMonitoringServiceApplication_GetFilterDisplayData_OutputMessage .....	71
3.1.4.8.2	Elements .....	71
3.1.4.8.2.1	GetFilterDisplayData .....	71
3.1.4.8.2.2	GetFilterDisplayDataResponse .....	72
3.1.4.8.3	Complex Types .....	72
3.1.4.8.4	Simple Types .....	72
3.1.4.8.5	Attributes .....	72
3.1.4.8.6	Groups.....	72
3.1.4.8.7	Attribute Groups.....	72
3.1.4.9	GetParameterMessageData .....	72
3.1.4.9.1	Messages .....	73

3.1.4.9.1.1	IBIMonitoringServiceApplication_GetParameterMessageData_InputMessage .....	74
3.1.4.9.1.2	IBIMonitoringServiceApplication_GetParameterMessageData_OutputMessage .....	74
3.1.4.9.2	Elements .....	74
3.1.4.9.2.1	GetParameterMessageData .....	74
3.1.4.9.2.2	GetParameterMessageDataResponse .....	75
3.1.4.9.3	Complex Types .....	75
3.1.4.9.4	Simple Types .....	75
3.1.4.9.5	Attributes .....	76
3.1.4.9.6	Groups .....	76
3.1.4.9.7	Attribute Groups .....	76
3.1.4.10	GetRemainingParameterDisplayData .....	76
3.1.4.10.1	Messages .....	77
3.1.4.10.1.1	IBIMonitoringServiceApplication_GetRemainingParameterDisplayData_InputMessage .....	77
3.1.4.10.1.2	IBIMonitoringServiceApplication_GetRemainingParameterDisplayData_OutputMessage .....	77
3.1.4.10.2	Elements .....	77
3.1.4.10.2.1	GetRemainingParameterDisplayData .....	78
3.1.4.10.2.2	GetRemainingParameterDisplayDataResponse .....	78
3.1.4.10.3	Complex Types .....	78
3.1.4.10.3.1	ParameterGetRemainingResultRecord .....	78
3.1.4.10.4	Simple Types .....	79
3.1.4.10.5	Attributes .....	79
3.1.4.10.6	Groups .....	79
3.1.4.10.7	Attribute Groups .....	79
3.1.4.11	GetRemainingSearchResults .....	79
3.1.4.11.1	Messages .....	80
3.1.4.11.1.1	IBIMonitoringServiceApplication_GetRemainingSearchResults_InputMessage .....	80
3.1.4.11.1.2	IBIMonitoringServiceApplication_GetRemainingSearchResults_OutputMessage .....	81
3.1.4.11.2	Elements .....	81
3.1.4.11.2.1	GetRemainingSearchResults .....	81
3.1.4.11.2.2	GetRemainingSearchResultsResponse .....	81
3.1.4.11.3	Complex Types .....	82
3.1.4.11.4	Simple Types .....	82
3.1.4.11.5	Attributes .....	82
3.1.4.11.6	Groups .....	82
3.1.4.11.7	Attribute Groups .....	82
3.1.4.12	GetRenderControlPreview .....	82
3.1.4.12.1	Messages .....	83
3.1.4.12.1.1	IBIMonitoringServiceApplication_GetRenderControlPreview_InputMessage .....	83
3.1.4.12.1.2	IBIMonitoringServiceApplication_GetRenderControlPreview_OutputMessage .....	83
3.1.4.12.2	Elements .....	83
3.1.4.12.2.1	GetRenderControlPreview .....	84
3.1.4.12.2.2	GetRenderControlPreviewResponse .....	84



3.1.4.12.3	Complex Types .....	85
3.1.4.12.4	Simple Types .....	85
3.1.4.12.5	Attributes .....	85
3.1.4.12.6	Groups.....	85
3.1.4.12.7	Attribute Groups.....	85
3.1.4.13	GetReportDependencies.....	85
3.1.4.13.1	Messages .....	86
3.1.4.13.1.1	IBIMonitoringServiceApplication_GetReportDependencies_InputMessage .....	86
3.1.4.13.1.2	IBIMonitoringServiceApplication_GetReportDependencies_OutputMessage.....	86
3.1.4.13.2	Elements.....	86
3.1.4.13.2.1	GetReportDependencies.....	87
3.1.4.13.2.2	GetReportDependenciesResponse .....	87
3.1.4.13.3	Complex Types .....	87
3.1.4.13.4	Simple Types .....	87
3.1.4.13.5	Attributes .....	87
3.1.4.13.6	Groups.....	87
3.1.4.13.7	Attribute Groups.....	88
3.1.4.14	GetReportViewImageData .....	88
3.1.4.14.1	Messages .....	88
3.1.4.14.1.1	IBIMonitoringServiceApplication_GetReportViewImageData_InputMessage.....	89
3.1.4.14.1.2	IBIMonitoringServiceApplication_GetReportViewImageData_OutputMessage .....	89
3.1.4.14.2	Elements.....	89
3.1.4.14.2.1	GetReportViewImageData .....	89
3.1.4.14.2.2	GetReportViewImageDataResponse.....	90
3.1.4.14.3	Complex Types .....	90
3.1.4.14.4	Simple Types .....	90
3.1.4.14.5	Attributes .....	91
3.1.4.14.6	Groups.....	91
3.1.4.14.7	Attribute Groups.....	91
3.1.4.15	GetScorecardDependencies .....	91
3.1.4.15.1	Messages .....	92
3.1.4.15.1.1	IBIMonitoringServiceApplication_GetScorecardDependencies_InputMessage .....	92
3.1.4.15.1.2	IBIMonitoringServiceApplication_GetScorecardDependencies_OutputMessage .....	92
3.1.4.15.2	Elements.....	92
3.1.4.15.2.1	GetScorecardDependencies .....	92
3.1.4.15.2.2	GetScorecardDependenciesResponse.....	93
3.1.4.15.3	Complex Types .....	93
3.1.4.15.4	Simple Types .....	93
3.1.4.15.5	Attributes .....	93
3.1.4.15.6	Groups.....	93
3.1.4.15.7	Attribute Groups.....	93
3.1.4.16	GetSetting .....	93
3.1.4.16.1	Messages .....	94
3.1.4.16.1.1	IBIMonitoringServiceApplication_GetSetting_InputMessage.....	94
3.1.4.16.1.2	IBIMonitoringServiceApplication_GetSetting_OutputMessage.....	95
3.1.4.16.2	Elements.....	95
3.1.4.16.2.1	GetSetting .....	95

3.1.4.16.2.2	GetSettingResponse .....	95
3.1.4.16.3	Complex Types .....	95
3.1.4.16.4	Simple Types .....	95
3.1.4.16.5	Attributes .....	96
3.1.4.16.6	Groups .....	96
3.1.4.16.7	Attribute Groups.....	96
3.1.4.17	GetSettings .....	96
3.1.4.17.1	Messages .....	96
3.1.4.17.1.1	IBIMonitoringServiceApplication_GetSettings_InputMessage .....	97
3.1.4.17.1.2	IBIMonitoringServiceApplication_GetSettings_OutputMessage .....	97
3.1.4.17.2	Elements .....	97
3.1.4.17.2.1	GetSettings.....	97
3.1.4.17.2.2	GetSettingsResponse.....	97
3.1.4.17.3	Complex Types .....	98
3.1.4.17.3.1	ArrayOfSetting .....	98
3.1.4.17.4	Simple Types .....	98
3.1.4.17.5	Attributes .....	98
3.1.4.17.6	Groups.....	98
3.1.4.17.7	Attribute Groups.....	98
3.1.4.18	GetSettingValue.....	99
3.1.4.18.1	Messages .....	99
3.1.4.18.1.1	IBIMonitoringServiceApplication_GetSettingValue_InputMessage .....	99
3.1.4.18.1.2	IBIMonitoringServiceApplication_GetSettingValue_OutputMessage .....	100
3.1.4.18.2	Elements .....	100
3.1.4.18.2.1	GetSettingValue.....	100
3.1.4.18.2.2	GetSettingValueResponse .....	100
3.1.4.18.3	Complex Types .....	100
3.1.4.18.4	Simple Types .....	101
3.1.4.18.5	Attributes .....	101
3.1.4.18.6	Groups.....	101
3.1.4.18.7	Attribute Groups.....	101
3.1.4.19	GetStrategyMapReportView.....	101
3.1.4.19.1	Messages .....	102
3.1.4.19.1.1	IBIMonitoringServiceApplication_GetStrategyMapReportView_InputMessage .....	102
3.1.4.19.1.2	IBIMonitoringServiceApplication_GetStrategyMapReportView_OutputMessage .....	102
3.1.4.19.2	Elements .....	102
3.1.4.19.2.1	GetStrategyMapReportView.....	103
3.1.4.19.2.2	GetStrategyMapReportViewResponse .....	103
3.1.4.19.3	Complex Types .....	103
3.1.4.19.4	Simple Types .....	104
3.1.4.19.5	Attributes .....	104
3.1.4.19.6	Groups.....	104
3.1.4.19.7	Attribute Groups.....	104
3.1.4.20	MaintenanceJob .....	104
3.1.4.20.1	Messages .....	104
3.1.4.20.1.1	IBIMonitoringServiceApplication_MaintenanceJob_InputMessage .....	105
3.1.4.20.1.2	IBIMonitoringServiceApplication_MaintenanceJob_OutputMessage .....	105
3.1.4.20.2	Elements .....	105
3.1.4.20.2.1	MaintenanceJob .....	105
3.1.4.20.2.2	MaintenanceJobResponse.....	105
3.1.4.20.3	Complex Types .....	105
3.1.4.20.4	Simple Types .....	105
3.1.4.20.5	Attributes .....	105
3.1.4.20.6	Groups.....	106

3.1.4.20.7	Attribute Groups.....	106
3.1.4.21	RenderFilter .....	106
3.1.4.21.1	Messages .....	106
3.1.4.21.1.1	IBIMonitoringServiceApplication_RenderFilter_InputMessage.....	107
3.1.4.21.1.2	IBIMonitoringServiceApplication_RenderFilter_OutputMessage.....	107
3.1.4.21.2	Elements .....	107
3.1.4.21.2.1	RenderFilter .....	107
3.1.4.21.2.2	RenderFilterResponse .....	108
3.1.4.21.3	Complex Types .....	108
3.1.4.21.4	Simple Types .....	108
3.1.4.21.5	Attributes .....	108
3.1.4.21.6	Groups.....	108
3.1.4.21.7	Attribute Groups.....	108
3.1.4.22	RenderReport .....	109
3.1.4.22.1	Messages .....	109
3.1.4.22.1.1	IBIMonitoringServiceApplication_RenderReport_InputMessage .....	109
3.1.4.22.1.2	IBIMonitoringServiceApplication_RenderReport_OutputMessage .....	110
3.1.4.22.2	Elements.....	110
3.1.4.22.2.1	RenderReport.....	110
3.1.4.22.2.2	RenderReportResponse.....	111
3.1.4.22.3	Complex Types .....	112
3.1.4.22.4	Simple Types .....	112
3.1.4.22.5	Attributes .....	112
3.1.4.22.6	Groups.....	112
3.1.4.22.7	Attribute Groups.....	112
3.1.4.23	RenderScorecard .....	112
3.1.4.23.1	Messages .....	113
3.1.4.23.1.1	IBIMonitoringServiceApplication_RenderScorecard_InputMessage...	113
3.1.4.23.1.2	IBIMonitoringServiceApplication_RenderScorecard_OutputMessage.	114
3.1.4.23.2	Elements.....	114
3.1.4.23.2.1	RenderScorecard .....	114
3.1.4.23.2.2	RenderScorecardResponse .....	115
3.1.4.23.3	Complex Types .....	116
3.1.4.23.4	Simple Types .....	116
3.1.4.23.5	Attributes .....	116
3.1.4.23.6	Groups.....	116
3.1.4.23.7	Attribute Groups.....	116
3.1.4.24	RenderScorecardAjaxControl .....	116
3.1.4.24.1	Messages .....	117
3.1.4.24.1.1	IBIMonitoringServiceApplication_RenderScorecardAjaxControl_InputMes sage.....	117
3.1.4.24.1.2	IBIMonitoringServiceApplication_RenderScorecardAjaxControl_OutputM essage .....	118
3.1.4.24.2	Elements.....	118
3.1.4.24.2.1	RenderScorecardAjaxControl .....	118
3.1.4.24.2.2	RenderScorecardAjaxControlResponse.....	118
3.1.4.24.3	Complex Types .....	119
3.1.4.24.4	Simple Types .....	119
3.1.4.24.5	Attributes .....	119
3.1.4.24.6	Groups.....	119
3.1.4.24.7	Attribute Groups.....	119
3.1.4.25	RenderTreeMemberSelector.....	119
3.1.4.25.1	Messages .....	119
3.1.4.25.1.1	IBIMonitoringServiceApplication_RenderTreeMemberSelector_InputMess age .....	120

3.1.4.25.1.2	IBIMonitoringServiceApplication_RenderTreeMemberSelector_OutputMessage	120
3.1.4.25.2	Elements	120
3.1.4.25.2.1	RenderTreeMemberSelector	120
3.1.4.25.2.2	RenderTreeMemberSelectorResponse	121
3.1.4.25.3	Complex Types	121
3.1.4.25.4	Simple Types	122
3.1.4.25.5	Attributes	122
3.1.4.25.6	Groups	122
3.1.4.25.7	Attribute Groups	122
3.1.4.26	ReportSupportsExportFormat	122
3.1.4.26.1	Messages	122
3.1.4.26.1.1	IBIMonitoringServiceApplication_ReportSupportsExportFormat_InputMessage	123
3.1.4.26.1.2	IBIMonitoringServiceApplication_ReportSupportsExportFormat_OutputMessage	123
3.1.4.26.2	Elements	123
3.1.4.26.2.1	ReportSupportsExportFormat	123
3.1.4.26.2.2	ReportSupportsExportFormatResponse	124
3.1.4.26.3	Complex Types	124
3.1.4.26.4	Simple Types	124
3.1.4.26.5	Attributes	124
3.1.4.26.6	Groups	124
3.1.4.26.7	Attribute Groups	124
3.1.4.27	SaveFilterValues	124
3.1.4.27.1	Messages	125
3.1.4.27.1.1	IBIMonitoringServiceApplication_SaveFilterValues_InputMessage	125
3.1.4.27.1.2	IBIMonitoringServiceApplication_SaveFilterValues_OutputMessage	125
3.1.4.27.2	Elements	125
3.1.4.27.2.1	SaveFilterValues	126
3.1.4.27.2.2	SaveFilterValuesResponse	126
3.1.4.27.3	Complex Types	126
3.1.4.27.4	Simple Types	126
3.1.4.27.5	Attributes	126
3.1.4.27.6	Groups	126
3.1.4.27.7	Attribute Groups	127
3.1.4.28	SaveTemporaryStrategyMapReport	127
3.1.4.28.1	Messages	127
3.1.4.28.1.1	IBIMonitoringServiceApplication_SaveTemporaryStrategyMapReport_InputMessage	128
3.1.4.28.1.2	IBIMonitoringServiceApplication_SaveTemporaryStrategyMapReport_OutputMessage	128
3.1.4.28.2	Elements	128
3.1.4.28.2.1	SaveTemporaryStrategyMapReport	128
3.1.4.28.2.2	SaveTemporaryStrategyMapReportResponse	129
3.1.4.28.3	Complex Types	129
3.1.4.28.4	Simple Types	129
3.1.4.28.5	Attributes	129
3.1.4.28.6	Groups	129
3.1.4.28.7	Attribute Groups	129
3.1.4.29	ScorecardSupportsExportFormat	129
3.1.4.29.1	Messages	130

3.1.4.29.1.1	IBIMonitoringServiceApplication_ScorecardSupportsExportFormat_Input Message .....	130
3.1.4.29.1.2	IBIMonitoringServiceApplication_ScorecardSupportsExportFormat_Out putMessage .....	131
3.1.4.29.2	Elements .....	131
3.1.4.29.2.1	ScorecardSupportsExportFormat .....	131
3.1.4.29.2.2	ScorecardSupportsExportFormatResponse .....	131
3.1.4.29.3	Complex Types .....	132
3.1.4.29.4	Simple Types .....	132
3.1.4.29.5	Attributes .....	132
3.1.4.29.6	Groups .....	132
3.1.4.29.7	Attribute Groups .....	132
3.1.4.30	SearchParameterDisplayData .....	132
3.1.4.30.1	Messages .....	133
3.1.4.30.1.1	IBIMonitoringServiceApplication_SearchParameterDisplayData_In putMessage .....	133
3.1.4.30.1.2	IBIMonitoringServiceApplication_SearchParameterDisplayData_Out putMessage .....	133
3.1.4.30.2	Elements .....	133
3.1.4.30.2.1	SearchParameterDisplayData .....	134
3.1.4.30.2.2	SearchParameterDisplayDataResponse .....	134
3.1.4.30.3	Complex Types .....	134
3.1.4.30.4	Simple Types .....	134
3.1.4.30.5	Attributes .....	135
3.1.4.30.6	Groups .....	135
3.1.4.30.7	Attribute Groups .....	135
3.1.4.31	UpdateSettingValue .....	135
3.1.4.31.1	Messages .....	136
3.1.4.31.1.1	IBIMonitoringServiceApplication_UpdateSettingValue_In putMessage .....	136
3.1.4.31.1.2	IBIMonitoringServiceApplication_UpdateSettingValue_Out putMessage .....	136
3.1.4.31.2	Elements .....	136
3.1.4.31.2.1	UpdateSettingValue .....	136
3.1.4.31.2.2	UpdateSettingValueResponse .....	137
3.1.4.31.3	Complex Types .....	137
3.1.4.31.4	Simple Types .....	137
3.1.4.31.5	Attributes .....	137
3.1.4.31.6	Groups .....	138
3.1.4.31.7	Attribute Groups .....	138
3.1.4.32	DecompAutoExpand .....	138
3.1.4.32.1	Messages .....	138
3.1.4.32.1.1	IBIMonitoringServiceApplication_DecomAutoExpand_In putMessage .....	139
3.1.4.32.1.2	IBIMonitoringServiceApplication_DecomAutoExpand_Out putMessage .....	139
3.1.4.32.2	Elements .....	139
3.1.4.32.2.1	DecompAutoExpand .....	139
3.1.4.32.2.2	DecompAutoExpandResponse .....	140
3.1.4.32.3	Complex Types .....	140
3.1.4.32.4	Simple Types .....	140
3.1.4.32.5	Attributes .....	140
3.1.4.32.6	Groups .....	140
3.1.4.32.7	Attribute Groups .....	140
3.1.4.33	DecompExpand .....	140
3.1.4.33.1	Messages .....	141

3.1.4.33.1.1	IBIMonitoringServiceApplication_DecomExpand_InputMessage .....	141
3.1.4.33.1.2	IBIMonitoringServiceApplication_DecomExpand_OutputMessage .....	141
3.1.4.33.2	Elements .....	141
3.1.4.33.2.1	DecompExpand .....	142
3.1.4.33.2.2	DecompExpandResponse .....	142
3.1.4.33.3	Complex Types .....	143
3.1.4.33.4	Simple Types .....	143
3.1.4.33.5	Attributes .....	143
3.1.4.33.6	Groups .....	143
3.1.4.33.7	Attribute Groups .....	143
3.1.4.34	ValidateSiteCollection .....	143
3.1.4.34.1	Messages .....	144
3.1.4.34.1.1	IBIMonitoringServiceApplication_ValidateSiteCollection_InputMessage .....	144
3.1.4.34.1.2	IBIMonitoringServiceApplication_ValidateSiteCollection_OutputMessage .....	144
3.1.4.34.2	Elements .....	144
3.1.4.34.2.1	ValidateSiteCollection .....	145
3.1.4.34.2.2	ValidateSiteCollectionResponse .....	145
3.1.4.34.3	Complex Types .....	145
3.1.4.34.4	Simple Types .....	145
3.1.4.34.4.1	URLValidationResult .....	145
3.1.4.34.5	Attributes .....	146
3.1.4.34.6	Groups .....	146
3.1.4.34.7	Attribute Groups .....	147
3.1.5	Timer Events .....	147
3.1.6	Other Local Events .....	147
<b>4</b>	<b>Protocol Examples .....</b>	<b>148</b>
4.1	Annotation Update .....	148
4.1.1	CreateAnnotation .....	148
4.1.2	UpdateAnnotation .....	150
4.1.3	DeleteAnnotation .....	151
4.2	Scorecard Render .....	152
4.2.1	GetScorecardDependencies .....	152
4.2.2	ScorecardSupportsExportFormat .....	153
4.2.3	GetSettingValue .....	154
4.2.4	RenderScorecard .....	155
<b>5</b>	<b>Security .....</b>	<b>160</b>
5.1	Security Considerations for Implementers .....	160
5.2	Index of Security Parameters .....	160
<b>6</b>	<b>Appendix A: Full WSDL .....</b>	<b>161</b>
6.1	<a href="http://www.microsoft.com/performancepoint/scorecards">http://www.microsoft.com/performancepoint/scorecards</a> WSDL .....	161
6.2	<a href="http://tempuri.org/">http://tempuri.org/</a> WSDL .....	274
<b>7</b>	<b>Appendix B: Full XML Schema .....</b>	<b>282</b>
7.1	<a href="http://www.microsoft.com/performancepoint/scorecards">http://www.microsoft.com/performancepoint/scorecards</a> Schema .....	282
7.2	<a href="http://schemas.microsoft.com/2003/10/Serialization/">http://schemas.microsoft.com/2003/10/Serialization/</a> Schema .....	335
7.3	<a href="http://schemas.datacontract.org/2004/07/Microsoft.PerformancePoint.Scorecards.ServerCommon.Export">http://schemas.datacontract.org/2004/07/Microsoft.PerformancePoint.Scorecards.ServerCommon.Export</a> Schema .....	336
7.4	<a href="http://schemas.datacontract.org/2004/07/Microsoft.PerformancePoint.Scorecards">http://schemas.datacontract.org/2004/07/Microsoft.PerformancePoint.Scorecards</a> Schema .....	336
7.5	<a href="http://schemas.datacontract.org/2004/07/System">http://schemas.datacontract.org/2004/07/System</a> Schema .....	340
7.6	<a href="http://microsoft.com/wsdl/types/">http://microsoft.com/wsdl/types/</a> Schema .....	340
7.7	<a href="http://schemas.microsoft.com/2003/10/Serialization/Arrays">http://schemas.microsoft.com/2003/10/Serialization/Arrays</a> Schema .....	340
7.8	<a href="http://schemas.datacontract.org/2004/07/System.Collections.Generic">http://schemas.datacontract.org/2004/07/System.Collections.Generic</a> Schema .....	342

7.9	<a href="http://schemas.datacontract.org/2004/07/Microsoft.PerformancePoint.Scorecards.ServiceCommon.Schema">http://schemas.datacontract.org/2004/07/Microsoft.PerformancePoint.Scorecards.ServiceCommon.Schema</a> .....	342
7.10	<a href="http://schemas.datacontract.org/2004/07/System.Data.Schema">http://schemas.datacontract.org/2004/07/System.Data.Schema</a> .....	343
<b>8</b>	<b>Appendix C: Product Behavior</b> .....	<b>344</b>
<b>9</b>	<b>Change Tracking</b> .....	<b>345</b>
<b>10</b>	<b>Index</b> .....	<b>347</b>

Preliminary

# 1 Introduction

The PerformancePoint Services Application Server Protocol is a Windows Communication Foundation (WCF) protocol that is used to read from, write to, and perform basic operations on dashboards hosted on a protocol server.

Sections 1.8, 2, and 3 of this specification are normative and can contain the terms MAY, SHOULD, MUST, MUST NOT, and SHOULD NOT as defined in [\[RFC2119\]](#). Sections 1.5 and 1.9 are also normative but do not contain those terms. All other sections and examples in this specification are informative.

## 1.1 Glossary

The following terms are specific to this document:

**absolute URL:** The full Internet address of a page or other World Wide Web resource. The absolute URL includes a protocol, such as "http," a network location, and an optional path and file name — for example, <http://www.treymresearch.net/>.

**Analysis Services:** The abbreviated name for Microsoft SQL Server Analysis Services, which is used to create and maintain multidimensional data that is sent to client applications in response to queries. Also referred to as Online Analytical Processing (OLAP) server.

**application server:** A computer that provides infrastructure and services for applications that are hosted on a server farm.

**assembly:** A collection of one or more files that is versioned and deployed as a unit. An assembly is the primary building block of a .NET Framework application. All managed types and resources are contained within an assembly and are marked either as accessible only within the assembly or as accessible from code in other assemblies. Assemblies also play a key role in security. The code access security system uses information about an assembly to determine the set of permissions that is granted to code in the assembly.

**assembly name:** The name of a collection of one or more files that is versioned and deployed as a unit. See also [assembly](#).

**Boolean:** An operation or expression that can be evaluated only as either true or false.

**cascading style sheet (CSS):** An extension to HTML that enables authors and users of HTML documents to attach style sheets to those documents, as described in [\[CSS-LEVEL1\]](#) and [\[CSS-LEVEL2\]](#). A style sheet includes typographical information about the appearance of a page, including the font for text on the page.

**context site:** A site that corresponds to the context of the current request.

**cube:** A set of data that is organized and summarized into a multidimensional structure that is defined by a set of [dimensions](#) and [measures](#).

**dashboard:** A visual interface that displays a related group of interactive scorecard and report views. It provides views into key measures that are relevant to a business practice or process. Dashboard elements provide capabilities, such as shared filters, that enable users to perform tasks such as highlighting trends, comparing data, and controlling the data that is displayed.

**dimension:** A structural attribute of a cube, which is an organized hierarchy of categories (levels) that describe data in a fact table. These categories typically describe a similar set of members upon which the user bases an analysis.

**drilldown:** A technique that is used to navigate hierarchical data, starting from general data and moving to increasingly finer levels of detail.



**endpoint:** A communication port that is exposed by an **application server** for a specific shared service and to which messages can be addressed.

**feature:** A package of SharePoint elements that can be activated or deactivated for a specific feature scope.

**filter:** A mechanism by which a set of data is scoped to display only those entries that meet specified logical criteria.

**globally unique identifier (GUID):** A term used interchangeably with universally unique identifier (UUID) in Microsoft protocol technical documents (TDs). Interchanging the usage of these terms does not imply or require a specific algorithm or mechanism to generate the value. Specifically, the use of this term does not imply or require that the algorithms described in [\[RFC4122\]](#) or [\[C706\]](#) must be used for generating the **GUID**. See also universally unique identifier (UUID).

**Hypertext Transfer Protocol (HTTP):** An application-level protocol for distributed, collaborative, hypermedia information systems (text, graphic images, sound, video, and other multimedia files) on the World Wide Web.

**Hypertext Transfer Protocol Secure (HTTPS):** An extension of HTTP that securely encrypts and decrypts web page requests. In some older protocols, "Hypertext Transfer Protocol over Secure Sockets Layer" is still used (Secure Sockets Layer has been deprecated). For more information, see [\[SSL3\]](#) and [\[RFC5246\]](#).

**item:** A unit of content that can be indexed and searched by a search application.

**JavaScript Object Notation (JSON):** A text-based, data interchange format that is used to transmit structured data, typically in Asynchronous JavaScript + XML (AJAX) web applications, as described in [\[RFC4627\]](#). The JSON format is based on the structure of ECMAScript (Jscript, JavaScript) objects.

**level:** A relative position in a hierarchy of data. A level is frequently used when describing how to navigate a hierarchy in an Online Analytical Processing (OLAP) database or a PivotTable report.

**list:** A container within a SharePoint site that stores list items. A list has a customizable schema that is composed of one or more fields.

**list item:** An individual entry within a SharePoint list. Each list item has a schema that maps to fields in the list that contains the item, depending on the content type of the item.

**measure:** In a cube, a set of values that are typically numeric and are based on a column (2) in the fact table of the cube. Measures are the central values that are aggregated and analyzed.

**member:** See OLAP member.

**MIME type:** A method that is used by protocol clients to associate files of a certain type with applications that can open or access files of that type.

**multidimensional expression (MDX):** A syntax that is used for defining multidimensional objects, and for querying and manipulating multidimensional data.

**Online Analytical Processing (OLAP):** A technology that uses multidimensional structures to provide access to data for analysis. The source data for OLAP is stored in data warehouses in a relational database. See also **cube**.

**relative path:** A path that is implied by the active working directory or is calculated based on a specified directory. If users enter a command that refers to a file and the full path is not entered, the active working directory is the relative path of the referenced file.

**report view:** An object that is used to display data in a **dashboard**. It can be coordinated with other report views by using filters. Examples of report views include analytic grids and charts, PivotTable reports, strategy maps, trend charts, and webpages.

**scorecard:** A report that depicts organizational and business performance by displaying a collection of key performance indicators (KPIs) with performance targets for those KPIs. Each KPI compares actual performance to goals for an area. A scorecard can be organized hierarchically and typically contains visualization tools such as trend charts and conditional formatting.

**Secure Sockets Layer (SSL):** A security protocol that supports confidentiality and integrity of messages in client and server applications that communicate over open networks. SSL uses two keys to encrypt data—a public key known to everyone and a private or secret key known only to the recipient of the message. SSL supports server and, optionally, client authentication (2) using X.509 certificates (2). For more information, see [\[X509\]](#). The SSL protocol is precursor to Transport Layer Security (TLS). The TLS version 1.0 specification is based on SSL version 3.0 [SSL3].

**security zone:** A setting that determines whether a resource, such as a website, can access data on other domains, or access files and settings on a user's computer. There are four security zones: Internet, Local intranet, Trusted sites, and Restricted sites. The zone to which a resource is assigned specifies the security settings that are used for that resource. See also form security level.

**server:** A computer on which the remote procedure call (RPC) server is executing.

**site:** A group of related pages and data within a SharePoint site collection. The structure and content of a site is based on a site definition. Also referred to as SharePoint site and web site.

**site collection:** A set of websites (1) that are in the same content database, have the same owner, and share administration settings. A site collection can be identified by a **GUID** or the **URL** of the top-level site for the site collection. Each site collection contains a top-level site, can contain one or more subsites, and can have a shared navigational structure.

**SOAP:** A lightweight protocol for exchanging structured information in a decentralized, distributed environment. **SOAP** uses XML technologies to define an extensible messaging framework, which provides a message construct that can be exchanged over a variety of underlying protocols. The framework has been designed to be independent of any particular programming model and other implementation-specific semantics. SOAP 1.2 supersedes SOAP 1.1. See [\[SOAP1.2-1/2003\]](#).

**SOAP action:** The HTTP request header field used to indicate the intent of the **SOAP** request, using a **URI** value. See [\[SOAP1.1\]](#) section 6.1.1 for more information.

**SOAP body:** A container for the payload data being delivered by a SOAP message to its recipient. See [\[SOAP1.2-1/2007\]](#) section 5.3 for more information.

**SOAP fault:** A container for error and status information within a SOAP message. See [\[SOAP1.2-1/2007\]](#) section 5.4 for more information.

**SOAP fault detail:** A string containing a human-readable explanation of a **SOAP fault**, which is not intended for algorithmic processing. See [\[SOAP1.2-1/2007\]](#) section 5.4.5 for more information.

**subsite:** A complete website that is stored in a named subdirectory of another website. The parent website can be the top-level site of a site collection or another subsite. Also referred to as subweb.

**Transmission Control Protocol (TCP):** A protocol used with the Internet Protocol (IP) to send data in the form of message units between computers over the Internet. TCP handles keeping

track of the individual units of data (called packets) that a message is divided into for efficient routing through the Internet.

**Uniform Resource Identifier (URI):** A string that identifies a resource. The URI is an addressing mechanism defined in Internet Engineering Task Force (IETF) Uniform Resource Identifier (URI): Generic Syntax [\[RFC3986\]](#).

**Uniform Resource Locator (URL):** A string of characters in a standardized format that identifies a document or resource on the World Wide Web. The format is as specified in [\[RFC1738\]](#).

**web control:** A server-side component that encapsulates user interface and related functionality.

**Web Part:** A reusable component that contains or generates web-based content such as XML, HTML, and scripting code. It has a standard property schema and displays that content in a cohesive unit on a webpage. See also Web Parts Page.

**web server:** A server computer that hosts websites and responds to requests from applications.

**Web Services Description Language (WSDL):** An XML format for describing network services as a set of endpoints that operate on messages that contain either document-oriented or procedure-oriented information. The operations and messages are described abstractly and are bound to a concrete network protocol and message format in order to define an endpoint. Related concrete endpoints are combined into abstract endpoints, which describe a network service. WSDL is extensible, which allows the description of endpoints and their messages regardless of the message formats or network protocols that are used.

**WSDL message:** An abstract, typed definition of the data that is communicated during a **WSDL operation** [\[WSDL\]](#). Also, an element that describes the data being exchanged between web service providers and clients.

**WSDL operation:** A single action or function of a web service. The execution of a WSDL operation typically requires the exchange of messages between the service requestor and the service provider.

**XML namespace:** A collection of names that is used to identify elements, types, and attributes in XML documents identified in a URI reference [\[RFC3986\]](#). A combination of XML namespace and local name allows XML documents to use elements, types, and attributes that have the same names but come from different sources. For more information, see [\[XMLNS-2ED\]](#).

**XML namespace prefix:** An abbreviated form of an **XML namespace**, as described in [\[XML\]](#).

**XML schema:** A description of a type of XML document that is typically expressed in terms of constraints on the structure and content of documents of that type, in addition to the basic syntax constraints that are imposed by XML itself. An XML schema provides a view of a document type at a relatively high level of abstraction.

**MAY, SHOULD, MUST, SHOULD NOT, MUST NOT:** These terms (in all caps) are used as defined in [\[RFC2119\]](#). All statements of optional behavior use either MAY, SHOULD, or SHOULD NOT.

## 1.2 References

Links to a document in the Microsoft Open Specifications library point to the correct section in the most recently published version of the referenced document. However, because individual documents in the library are not updated at the same time, the section numbers in the documents may not match. You can confirm the correct section numbering by checking the [Errata](#).

## 1.2.1 Normative References

We conduct frequent surveys of the normative references to assure their continued availability. If you have any issue with finding a normative reference, please contact [dochelp@microsoft.com](mailto:dochelp@microsoft.com). We will assist you in finding the relevant information.

[HTML] World Wide Web Consortium, "HTML 4.01 Specification", December 1999, <http://www.w3.org/TR/html4/>

[MS-PPSAS] Microsoft Corporation, "[PerformancePoint Services Authoring Service Protocol](#)".

[MS-PPSDECO] Microsoft Corporation, "[PerformancePoint Services Decomposition Tree Protocol](#)".

[MS-PPTX] Microsoft Corporation, "[PowerPoint Extensions to the Office Open XML File Format \(.pptx\) Specification](#)".

[MS-SPSTWS] Microsoft Corporation, "[SharePoint Security Token Service Web Service Protocol](#)".

[MS-SPTWS] Microsoft Corporation, "[Service Platform Topology Web Service Protocol](#)".

[MS-XLSX] Microsoft Corporation, "[Excel Extensions to the Office Open XML SpreadsheetML File Format \(.xlsx\) Specification](#)".

[RFC2119] Bradner, S., "Key words for use in RFCs to Indicate Requirement Levels", BCP 14, RFC 2119, March 1997, <http://www.rfc-editor.org/rfc/rfc2119.txt>

[RFC2616] Fielding, R., Gettys, J., Mogul, J., et al., "Hypertext Transfer Protocol -- HTTP/1.1", RFC 2616, June 1999, <http://www.rfc-editor.org/rfc/rfc2616.txt>

[RFC2818] Rescorla, E., "HTTP Over TLS", RFC 2818, May 2000, <http://www.rfc-editor.org/rfc/rfc2818.txt>

[RFC4627] Crockford, D., "The application/json Media Type for JavaScript Object Notation (JSON)", RFC 4627, July 2006, <http://www.ietf.org/rfc/rfc4627.txt>

[SOAP1.1] Box, D., Ehnebuske, D., Kakivaya, G., et al., "Simple Object Access Protocol (SOAP) 1.1", May 2000, <http://www.w3.org/TR/2000/NOTE-SOAP-20000508/>

[SOAP1.2/1] Gudgin, M., Hadley, M., Mendelsohn, N., Moreau, J., and Nielsen, H.F., "SOAP Version 1.2 Part 1: Messaging Framework", W3C Recommendation, June 2003, <http://www.w3.org/TR/2003/REC-soap12-part1-20030624>

[SOAP1.2/2] Gudgin, M., Hadley, M., Mendelsohn, N., Moreau, J., and Nielsen, H.F., "SOAP Version 1.2 Part 2: Adjuncts", W3C Recommendation, June 2003, <http://www.w3.org/TR/2003/REC-soap12-part2-20030624>

[WSDL] Christensen, E., Curbera, F., Meredith, G., and Weerawarana, S., "Web Services Description Language (WSDL) 1.1", W3C Note, March 2001, <http://www.w3.org/TR/2001/NOTE-wsdl-20010315>

[XMLNS] Bray, T., Hollander, D., Layman, A., et al., Eds., "Namespaces in XML 1.0 (Third Edition)", W3C Recommendation, December 2009, <http://www.w3.org/TR/2009/REC-xml-names-20091208/>

[XMLSCHEMA1] Thompson, H., Beech, D., Maloney, M., and Mendelsohn, N., Eds., "XML Schema Part 1: Structures", W3C Recommendation, May 2001, <http://www.w3.org/TR/2001/REC-xmlschema-1-20010502/>

[XMLSCHEMA2] Biron, P.V., Ed. and Malhotra, A., Ed., "XML Schema Part 2: Datatypes", W3C Recommendation, May 2001, <http://www.w3.org/TR/2001/REC-xmlschema-2-20010502/>

## 1.2.2 Informative References

None.

## 1.3 Overview

Business intelligence platforms typically support workflow whereby a user creates and publishes content representing business performance indicators, reports in a variety of forms, and data source references. This content is composed of metadata (such as names of dimensions or measures, or the names of data source references), calculation definitions, and formatting information (such as color or layout.)

This protocol enables a protocol client to:

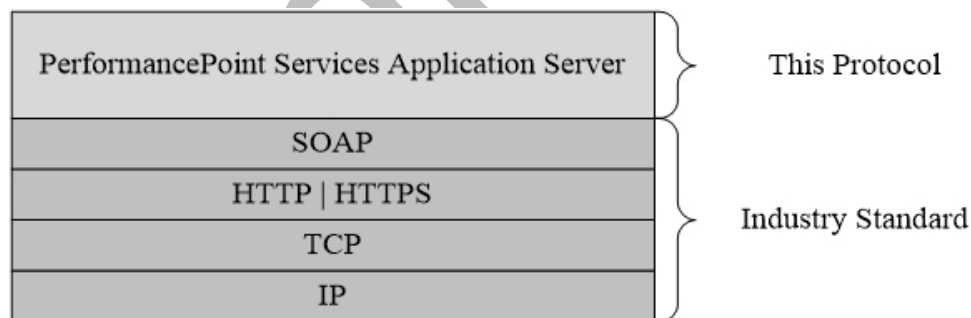
- Create, read, update, validate and delete a variety of business logic content in a content store that exists on the protocol server. The types and sub-types of business logic content were summarized previously, and described in detail in Common Message Syntax (section [2.2](#))
- Create, read, update, and delete annotations, or comments, stored on the protocol server.
- Retrieve metadata (such as the names of dimensions or measures) through data source references.
- Retrieve a listing of content sub-types and Settings (section [2.2.4.17](#)) information from a configuration store on the protocol server.

A typical scenario for using this protocol is an extensible content editing application that enables users to create, publish and maintain some of the content used in a larger business intelligence system.

## 1.4 Relationship to Other Protocols

This protocol uses the **SOAP** message protocol for formatting request and response messages, as described in [\[SOAP1.1\]](#), [\[SOAP1.2/1\]](#) and [\[SOAP1.2/2\]](#). It transmits those messages by using **Hypertext Transfer Protocol (HTTP)**, as described in [\[RFC2616\]](#), or **Hypertext Transfer Protocol over Secure Sockets Layer (HTTPS)**, as described in [\[RFC2818\]](#).

The following diagram shows the underlying messaging and transport stack used by the protocol.



**Figure 1: This protocol in relation to other protocols**

## 1.5 Prerequisites/Preconditions

This protocol operates against a protocol server that exposes one or more **endpoint Uniform Resource Identifier (URI)** that are known by protocol clients. The endpoint URI of the protocol server and the transport that is used by the protocol server are either known by the protocol client or obtained by using the discovery mechanism that is described in [\[MS-SPTWS\]](#).

The protocol client obtains the requisite ApplicationClassId and ApplicationVersion values and the endpoint URI of the protocol server that provides the discovery mechanism, as described in [MS-SPTWS], by means that are independent of either protocol.

This protocol requires the protocol client to have appropriate permission to call the methods on the protocol server.

The protocol client implements the token-based security mechanisms that are required by the protocol server and related security protocols, as described in [\[MS-SPSTWS\]](#).

## 1.6 Applicability Statement

This protocol is designed for communication between **web server** and **application server** in a multi-tier configuration where the protocol client is running on the Web server. Due to the complexity of some of the types used in the protocol and the typically large amount of metadata associated with business intelligence platforms, this protocol is designed for use by protocol clients connected by high-bandwidth, low-latency network connections.

## 1.7 Versioning and Capability Negotiation

This specification covers versioning issues in the following areas:

- **Supported Transports:** This protocol can be implemented by using transports that support sending Simple Object Access Protocol (SOAP) messages, as specified in section 2.1.
- **Protocol Versions:** This protocol is not versioned.

**Capability Negotiation:** This protocol does not support version negotiation.

## 1.8 Vendor-Extensible Fields

None.

## 1.9 Standards Assignments

None.

## 2 Messages

Occasionally, instances occur where this web service's **Web Services Description Language (WSDL)** specifies optionality (for example, `minOccurs="0"` and `maxOccurs="1"`) that conflicts with the stated behavior in this document, or the document doesn't contain the stated behavior. In such cases, where the document and the WSDL conflict, the document takes precedence. In cases where the document doesn't specify optionality, the argument has to be present, even if the WSDL specifies that the argument is optional (for example, `minOccurs="0"`).

In cases where an argument is optional and the WSDL specifies both `"minOccurs=0"` and `"Nillable=true"`, treat the argument as only `"minOccurs=0"`.

### 2.1 Transport

Protocol servers **MUST** support Simple Object Access Protocol (SOAP) over Hypertext Transfer Protocol (HTTP), Hypertext Transfer Protocol over Secure Sockets Layer (HTTPS), or **Transmission Control Protocol (TCP)**.

All protocol messages **MUST** be transported by using HTTP or TCP bindings at the transport level.

Protocol messages **MUST** be formatted as specified in either [\[SOAP1.1\]](#) section 4 or [\[SOAP1.2/1\]](#) section 5. Protocol server faults **MUST** be returned by using HTTP status codes, as specified in [\[RFC2616\]](#) section 10, or **SOAP fault**, as specified in [\[SOAP1.1\]](#) section 4.4 or [\[SOAP1.2/1\]](#) section 5.4.

If the HTTPS transport is used, a server certificate **MUST** be deployed.

This protocol **MAY** transmit an additional SOAP header, the **ServiceContext** header, as specified in [\[MS-SPSTWS\]](#).

This protocol does not define any means for activating a protocol server or protocol client. The protocol server **MUST** be configured and begin listening in an implementation-specific way. In addition, the protocol client **MUST** know the format and transport that is used by the server, for example, the SOAP format over an HTTP transport.

### 2.2 Common Message Syntax

This section contains common definitions that are used by this protocol. The syntax of the definitions uses **XML schema**, as specified in [\[XMLSCHEMA1\]](#) and [\[XMLSCHEMA2\]](#), and WSDL, as specified in [\[WSDL\]](#).

#### 2.2.1 Namespaces

This specification defines and references various **XML namespaces** using the mechanisms specified in [\[XMLNS\]](#). Although this specification associates a specific **XML namespace prefix** for each XML namespace that is used, the choice of any particular XML namespace prefix is implementation-specific and not significant for interoperability.

Prefix	Namespace URI	Reference
q1	<a href="http://schemas.datacontract.org/2004/07/Microsoft.PerformancePoint.Scorecards">http://schemas.datacontract.org/2004/07/Microsoft.PerformancePoint.Scorecards</a>	
q19	<a href="http://schemas.datacontract.org/2004/07/Microsoft.PerformancePoint.Scorecards.ServerCommon">http://schemas.datacontract.org/2004/07/Microsoft.PerformancePoint.Scorecards.ServerCommon</a>	

Prefix	Namespace URI	Reference
q2	http://microsoft.com/wsdl/types/	
q3	http://schemas.datacontract.org/2004/07/System	<a href="http://go.microsoft.com/fwlink/?LinkId=107135">http://go.microsoft.com/fwlink/?LinkId=107135</a>
q33	http://schemas.datacontract.org/2004/07/Microsoft.PerformancePoint.Scorecards.ServerCommon.Export	
q4	http://schemas.microsoft.com/2003/10/Serialization/Arrays	
q5	http://schemas.datacontract.org/2004/07/System.Collections.Generic	
soap	http://schemas.xmlsoap.org/wsdl/soap/	<a href="#">[SOAP1.1]</a>
tns	http://www.microsoft.com/performancepoint/scorecards	<a href="#">[MS-PPSAS]</a>
tns1	http://schemas.microsoft.com/2003/10/Serialization/	[MS-XSSK]
tns2	http://www.microsoft.com/performancepoint/scorecards/Imports	
wsm	http://www.w3.org/2007/05/addressing/metadata	<a href="#">[MS-EMMWCF]</a>
wsdl	http://schemas.xmlsoap.org/wsdl/	<a href="#">[WSDL]</a>
xs	http://www.w3.org/2001/XMLSchema	<a href="#">[XMLSCHEMA1]</a> <a href="#">[XMLSCHEMA2]</a>

## 2.2.2 Messages

The following table summarizes common **WSDL messages** defined by this specification.

Message	Description
SOAP fault	The operations defined in section <a href="#">3.1.4</a> return a SOAP fault as specified in section <a href="#">2.2.2.1</a> .

### 2.2.2.1 Faults

In the event of an application error, the server returns a SOAP fault as a response to the operation as specified in [\[SOAP1.1\]](#), section 4.4.

#### 2.2.2.1.1 SOAP Fault Detail Element

The protocol client **MUST** ignore all elements of the SOAP fault, except for the **SOAP fault detail** element.

The SOAP fault detail element **MUST** contain a **BPMException** ([2.2.4.10](#)).



### 2.2.2.1.2 Full List of Possible Error Codes

Specified in [\[MS-PPSAS\]](#) section 2.2.2.1.2.

### 2.2.2.1.3 Common List of Error Codes

Specified in [\[MS-PPSAS\]](#) section 2.2.2.1.3.

## 2.2.3 Elements

This specification does not define any common XML schema element definitions.

## 2.2.4 Complex Types

The following table summarizes the set of common XML schema complex type definitions defined by this specification. XML schema complex type definitions that are specific to a particular operation are described with the operation.

Complex type	Description
<b>ArrayOfArrayOfKeyValueOfstringanyType</b>	The <b>ArrayOfArrayOfKeyValueOfstringanyType</b> complex type defines an array of <b>ArrayOfKeyValueOfstringanyType</b> complex types (section <a href="#">2.2.4.4</a> ).
<b>ArrayOfArrayOfString</b>	The <b>ArrayOfArrayOfString</b> complex type is an array of <b>ArrayOfString</b> elements (specified in <a href="#">[MS-PPSAS]</a> section 2.2.4.54).
<b>ArrayOfBIData</b>	The <b>ArrayOfBIData</b> complex type defines an array of <b>BIData</b> complex types (section <a href="#">2.2.4.7</a> ).
<b>ArrayOfKeyValueOfstringanyType</b>	The <b>ArrayOfKeyValueOfstringanyType</b> complex type defines an array of <b>KeyValueOfstringanyType</b> complex types.
<b>ArrayOfScriptDependency</b>	The <b>ArrayOfScriptDependency</b> complex type is an array of <b>ScriptDependency</b> elements (section <a href="#">2.2.4.17</a> ).
<b>ArrayOfSubstitutionPair</b>	The <b>ArrayOfSubstitutionPair</b> complex type is an array of <b>SubstitutionPair</b> elements (section <a href="#">2.2.4.19</a> ).
<b>BIData</b>	The <b>BIData</b> complex type contains the data that the provider <b>Web Part</b> passes to the consumer, including the data and the consumer parameter it is applied to.
<b>BpmException</b>	The <b>BpmException</b> complex type contains the details of a server alert.
<b>DecompQueryParameters</b>	The <b>DecompQueryParameters</b> complex type specifies additional settings used when performing a <b>drilldown</b> query on an <b>OLAP</b> data cell.
<b>DictionaryWrapperOfStringArrayOfString</b>	The <b>DictionaryWrapperOfstringArrayOfString</b> complex type specifies a collection of <b>ArrayOfArrayOfString</b> values (section <a href="#">2.2.4.2</a> ) with associated string keys.
<b>DictionaryWrapperOfStringListOfString</b>	This <b>DictionaryWrapperOfStringListOfString</b> complex type specifies a collection of <b>ArrayOfArrayOfString</b> (section 2.2.4.2) values associated with <b>ArrayOfString</b> (specified in <a href="#">[MS-PPSAS]</a> section 2.2.4.54) keys.
<b>DictionaryWrapperOfStringString</b>	The <b>DictionaryWrapperOfStringString</b> complex type is a collection of <b>ArrayOfString</b> (specified in <a href="#">[MS-PPSAS]</a> section

Complex type	Description
	2.2.4.54) values associated with <b>ArrayOfString</b> keys.
<b>ExportSettings</b>	The <b>ExportSettings</b> complex type specifies configuration settings used when exporting a report or <b>scorecard</b> .
<b>OfficeExportInfo</b>	The <b>OfficeExportInfo</b> complex type defines the export data details used to create and download either Excel (as specified in <a href="#">[MS-XLSX]</a> ) or PowerPoint (as specified in <a href="#">[MS-PPTX]</a> ) format files. The Scorecard, Analytic Grid, and Analytic Chart return only the <b>_exportData</b> and <b>_downloadFileName</b> .
<b>ParameterMessage</b>	The <b>ParameterMessage</b> complex type represents the client side browser transmission packet that is passed between proxies in a <b>dashboard</b> .
<b>ParameterSearchResultRecord</b>	The <b>ParameterSearchResultRecord</b> complex type <a href="#">&lt;1&gt;</a> contains a string that represents an array of search result nodes and a string which represents an array of ancestor node display captions.
<b>ResourceDependencies</b>	The <b>ResourceDependencies</b> complex type specifies resources that are required for rendering a Web Part.
<b>ScriptDependency</b>	The <b>ScriptDependency</b> complex type specifies a script file that is required for rendering a Web Part.
<b>Setting</b>	The <b>Setting</b> complex type specifies a configuration setting.
<b>SubstitutionPair</b>	The <b>SubstitutionPair</b> complex type specifies a pair of strings for substitution.
<b>WebPartContext</b>	The <b>WebPartContext</b> complex type specifies the current state, inputs, and outputs of a Web Part.
<b>WebPartContextUpdate</b>	The <b>WebPartContextUpdate</b> complex type specifies the updated Web Part state and input information.

### 2.2.4.1 ArrayOfArrayOfKeyValueOfstringanyType

**Namespace:** <http://www.microsoft.com/performancepoint/scorecards>

The **ArrayOfArrayOfKeyValueOfstringanyType** complex type defines an array of **ArrayOfKeyValueOfstringanyType** complex types (section [2.2.4.4](#)).

```
<xs:complexType name="ArrayOfArrayOfKeyValueOfstringanyType"
xmlns:xs="http://www.w3.org/2001/XMLSchema">
  <xs:sequence>
    <xs:element minOccurs="0" maxOccurs="unbounded" name="ArrayOfKeyValueOfstringanyType"
nillable="true" type="tns:ArrayOfKeyValueOfstringanyType"/>
  </xs:sequence>
</xs:complexType>
```

**ArrayOfKeyValueOfstringanyType:** This element MUST NOT be null and MUST conform to the schema of the **ArrayOfKeyValueOfstringanyType** complex type (section [2.2.4.4](#)).

### 2.2.4.2 ArrayOfArrayOfString

**Namespace:** http://www.microsoft.com/performancepoint/scorecards

The **ArrayOfArrayOfString** complex type is an array of **ArrayOfString** elements (specified in [\[MS-PPSAS\]](#) section 2.2.4.54).

```
<xs:complexType name="ArrayOfArrayOfString" xmlns:xs="http://www.w3.org/2001/XMLSchema">
  <xs:sequence>
    <xs:element minOccurs="0" maxOccurs="unbounded" name="ArrayOfString" nillable="true"
type="tns:ArrayOfString"/>
  </xs:sequence>
</xs:complexType>
```

**ArrayOfString:** This element MUST conform to the schema of the **ArrayOfString** complex type.

### 2.2.4.3 ArrayOfBIData

**Namespace:** http://www.microsoft.com/performancepoint/scorecards

The **ArrayOfBIData** complex type defines an array of **BIData** complex types (section [2.2.4.7](#)).

```
<xs:complexType name="ArrayOfBIData" xmlns:xs="http://www.w3.org/2001/XMLSchema">
  <xs:sequence>
    <xs:element minOccurs="0" maxOccurs="unbounded" name="BIData" nillable="true"
type="tns:BIData"/>
  </xs:sequence>
</xs:complexType>
```

**BIData:** This element MUST NOT be null and MUST conform to the schema of the **BIData** complex type.

### 2.2.4.4 ArrayOfKeyValueOfstringanyType

**Namespace:** http://www.microsoft.com/performancepoint/scorecards

The **ArrayOfKeyValueOfstringanyType** complex type defines an array of **KeyValueOfstringanyType** complex types.

```
<xs:complexType name="ArrayOfKeyValueOfstringanyType"
xmlns:xs="http://www.w3.org/2001/XMLSchema">
  <xs:sequence>
    <xs:element minOccurs="0" maxOccurs="unbounded" name="KeyValueOfstringanyType">
      <xs:complexType>
        <xs:sequence>
          <xs:element name="Key" nillable="true" type="xs:string"/>
          <xs:element name="Value" nillable="true" type="xs:anyType"/>
        </xs:sequence>
      </xs:complexType>
    </xs:element>
  </xs:sequence>
</xs:complexType>
```

**KeyValueOfstringanyType:** Specifies an array of dictionaries of string keys to anyType values. This element MUST be present and MUST NOT be null.

**KeyValueOfstringanyType.Key:** Specifies the string key for addressing the values in the dictionary.

**KeyValueOfstringanyType.Value:** Specifies the anyType value in the dictionary.

The **Keys** and **Values** MUST conform to the following:

- The number of **items** in **Keys** and the number of items in **Values** MUST be the same.
- Each item in **Values** MUST NOT be null.
- Each item in **Keys** MUST be a unique, non-null string.
- Each value in **Values** MUST have a corresponding key in **Keys**.

#### 2.2.4.5 ArrayOfScriptDependency

**Namespace:** <http://www.microsoft.com/performancepoint/scorecards>

The **ArrayOfScriptDependency** complex type is an array of **ScriptDependency** elements (section [2.2.4.17](#)).

```
<xs:complexType name="ArrayOfScriptDependency" xmlns:xs="http://www.w3.org/2001/XMLSchema">
  <xs:sequence>
    <xs:element minOccurs="0" maxOccurs="unbounded" name="ScriptDependency"
type="tns:ScriptDependency"/>
  </xs:sequence>
</xs:complexType>
```

**ScriptDependency:** This element MUST conform to the schema of the **ScriptDependency** complex type.

#### 2.2.4.6 ArrayOfSubstitutionPair

**Namespace:**

<http://schemas.datacontract.org/2004/07/Microsoft.PerformancePoint.Scorecards.ServerCommon>

The **ArrayOfSubstitutionPair** complex type is an array of **SubstitutionPair** elements (section [2.2.4.19](#)).

```
<xs:complexType name="ArrayOfSubstitutionPair" xmlns:xs="http://www.w3.org/2001/XMLSchema">
  <xs:sequence>
    <xs:element minOccurs="0" maxOccurs="unbounded" name="SubstitutionPair" nillable="true"
type="q19:SubstitutionPair"/>
  </xs:sequence>
</xs:complexType>
```

**SubstitutionPair:** This element MUST conform to the schema of the **SubstitutionPair** complex type.

#### 2.2.4.7 BIData

**Namespace:** <http://www.microsoft.com/performancepoint/scorecards>

The **BIData** complex type contains the data that the provider Web Part passes to the consumer, including the data and the consumer parameter it is applied to.

```
<xs:complexType name="BIData" xmlns:xs="http://www.w3.org/2001/XMLSchema">
  <xs:sequence>
    <xs:element minOccurs="0" name="_consumerParameter" nillable="true" type="xs:string"/>
    <xs:element minOccurs="0" name="_dataValidated" type="xs:boolean"/>
    <xs:element minOccurs="0" name="_displayColumnName" nillable="true" type="xs:string"/>
  </xs:sequence>
</xs:complexType>
```

```

    <xs:element minOccurs="0" name="_providerValues" nillable="true"
type="tns:ArrayOfArrayOfKeyValueOfstringanyType"/>
    <xs:element minOccurs="0" name="_valuesColumnName" nillable="true" type="xs:string"/>
  </xs:sequence>
</xs:complexType>

```

**\_consumerParameter:** Specifies the name of the parameter on the consumer Web Part which MUST receive the data. This element MUST be present and MUST NOT be empty.

**\_dataValidated:** Specifies whether the data contained in **\_providerValues** has been validated. If TRUE, the data has been validated; otherwise, FALSE, and the data has not been validated. This element MUST be present and MUST NOT be empty.

**\_displayColumnName:** Specifies the key for **\_providerValues** which contains the display name for each provider value in **\_providerValues**. A key with this name MUST be present in the dictionary of each item in **\_providerValues**. This element MUST be present and MUST NOT be empty.

**\_providerValues:** Specifies the **ArrayOfArrayOfKeyValueOfstringanyType** (section [2.2.4.1](#)) which contains the data being passed from the provider to the consumer. The **\_providerValues** array MUST contain one entry for each value being sent to the consumer, where each entry MUST contain a dictionary of values which MUST contain the following:

- A key equal to the value specified in **\_displayColumnName**, with a corresponding value which MUST be a string which provides the display name for the data value being passed.
- A key equal to the value specified in **\_valuesColumnName**, with a corresponding value which MUST be a string which provides the unique identifier for the value being passed.

**\_valuesColumnName:** Specifies the key for **\_providerValues** which contains the unique identifier for each provider value in **\_providerValues**. A key with this name MUST be present in the dictionary of each item in **\_providerValues**. This element MUST be present and MUST NOT be empty.

#### 2.2.4.8 BpmException

**Namespace:** <http://www.microsoft.com/performancepoint/scorecards>

The **BpmException** complex type contains the details of a server alert.

```

<xs:complexType name="BpmException" xmlns:xs="http://www.w3.org/2001/XMLSchema">
  <xs:complexContent mixed="false">
    <xs:extension xmlns:q3="http://schemas.datacontract.org/2004/07/System"
base="q3:ApplicationException">
      <xs:sequence>
        <xs:element minOccurs="1" maxOccurs="1" name="EventLogged" type="xs:boolean"/>
      </xs:sequence>
    </xs:extension>
  </xs:complexContent>
</xs:complexType>

```

**EventLogged:** MUST be true if the alert was logged by the server; otherwise, MUST be false.

#### 2.2.4.9 DecompQueryParameters

**Namespace:** <http://www.microsoft.com/performancepoint/scorecards>

The **DecompQueryParameters** complex type specifies additional settings used when performing a drilldown query on an OLAP data cell.

```

<xs:complexType name="DecompQueryParameters" xmlns:xs="http://www.w3.org/2001/XMLSchema">
  <xs:sequence>
    <xs:element minOccurs="0" maxOccurs="1" name="SortType" type="xs:string"/>
    <xs:element minOccurs="0" maxOccurs="1" name="ClientState" type="xs:string"/>
  </xs:sequence>
</xs:complexType>

```

**SortType:** MUST be set to blank when sending and MUST be ignored on receiving.

**ClientState:** MUST be set to blank when sending and MUST be ignored on receiving.

#### 2.2.4.10 DictionaryWrapperOfStringListOfString

**Namespace:** http://www.microsoft.com/performancepoint/scorecards

This **DictionaryWrapperOfStringListOfString** complex type specifies a collection of **ArrayOfArrayOfString** (section 2.2.4.2) values associated with **ArrayOfString** (specified in [\[MS-PPSAS\]](#) section 2.2.4.54) keys.

```

<xs:complexType name="DictionaryWrapperOfStringListOfString"
xmlns:xs="http://www.w3.org/2001/XMLSchema">
  <xs:sequence>
    <xs:element minOccurs="0" maxOccurs="1" name="Keys" type="tns:ArrayOfString"/>
    <xs:element minOccurs="0" maxOccurs="1" name="Values" type="tns:ArrayOfArrayOfString"/>
  </xs:sequence>
</xs:complexType>

```

**Keys:** This element MUST conform to the schema of the **ArrayOfString** complex type.

**Values:** This element MUST conform to the schema of the **ArrayOfArrayOfString** complex type.

#### 2.2.4.11 DictionaryWrapperOfStringString

**Namespace:** http://www.microsoft.com/performancepoint/scorecards

The **DictionaryWrapperOfStringString** complex type is a collection of **ArrayOfString** (specified in [\[MS-PPSAS\]](#) section 2.2.4.54) values associated with **ArrayOfString** keys.

```

<xs:complexType name="DictionaryWrapperOfStringString"
xmlns:xs="http://www.w3.org/2001/XMLSchema">
  <xs:sequence>
    <xs:element minOccurs="0" maxOccurs="1" name="Keys" type="tns:ArrayOfString"/>
    <xs:element minOccurs="0" maxOccurs="1" name="Values" type="tns:ArrayOfString"/>
  </xs:sequence>
</xs:complexType>

```

**Keys:** An **ArrayOfString** where each member of the array serves as a key for addressing the contents of the Values array.

**Values:** An **ArrayOfString** containing the values in the dictionary.

The **Keys** and **Values** MUST conform to the following:

- The number of items in **Keys** and the number of items in **Values** MUST be the same.
- Each item in **Values** MUST NOT be null.
- Each item in **Keys** MUST be a unique, non-null string.

- Each value in **Values** MUST have a corresponding key in **Keys** (that is, for each Values[i], the corresponding key is Keys[i]).

#### 2.2.4.12 ExportSettings

**Namespace:** http://www.microsoft.com/performancepoint/scorecards

The **ExportSettings** complex type specifies configuration settings used when exporting a report or scorecard.

```
<xs:complexType name="ExportSettings" xmlns:xs="http://www.w3.org/2001/XMLSchema">
  <xs:sequence>
    <xs:element minOccurs="0" maxOccurs="1" name="WebPartTitle" type="xs:string"/>
    <xs:element minOccurs="0" maxOccurs="1" name="PageTitle" type="xs:string"/>
    <xs:element minOccurs="1" maxOccurs="1" name="ExportFormat" type="tns:ExportFormat"/>
    <xs:element minOccurs="0" maxOccurs="1" name="DashboardLink" type="xs:string"/>
  </xs:sequence>
</xs:complexType>
```

**WebPartTitle:** The title of the Web Part.

**PageTitle:** The title of the page.

**ExportFormat:** The export data format for a report or a scorecard as specified by **ExportFormat** (section [2.2.5.1](#)).

**DashboardLink:** An **absolute URL** used to reference the dashboard containing the report or scorecard to be exported.

#### 2.2.4.13 OfficeExportInfo

**Namespace:**

http://schemas.datacontract.org/2004/07/Microsoft.PerformancePoint.Scorecards.ServerCommon.Export

The **OfficeExportInfo** complex type defines the export data details used to create and download either Excel (as specified in [\[MS-XLSX\]](#)) or PowerPoint (as specified in [\[MS-PPTX\]](#)) format files. The Scorecard, Analytic Grid, and Analytic Chart return only the **\_exportData** and **\_downloadFileName**.

```
<xs:complexType name="OfficeExportInfo" xmlns:xs="http://www.w3.org/2001/XMLSchema">
  <xs:sequence>
    <xs:element minOccurs="0" name="_downloadFileName" nillable="true" type="xs:string"/>
    <xs:element minOccurs="0" name="_exportData" nillable="true" type="xs:base64Binary"/>
    <xs:element minOccurs="0" name="_exportUri" nillable="true" type="xs:string"/>
  </xs:sequence>
</xs:complexType>
```

**\_downloadFileName:** The download export file name minus the file extension name.

**\_exportData:** The Excel (as specified in [\[MS-XLSX\]](#)) or PowerPoint (as specified in [\[MS-PPTX\]](#)) data written to the download file.

**\_exportUri:** The **Uniform Resource Locator (URL)** to which the office export request is redirected.

#### 2.2.4.14 ParameterMessage

**Namespace:** http://www.microsoft.com/performancepoint/scorecards

The **ParameterMessage** complex type represents the client side browser transmission packet that is passed between proxies in a dashboard.

```
<xs:complexType name="ParameterMessage" xmlns:xs="http://www.w3.org/2001/XMLSchema">
  <xs:complexContent mixed="false">
    <xs:extension base="tns:ParameterDefinition">
      <xs:sequence>
        <xs:element xmlns:q2="http://microsoft.com/wsdl/types/" name="dashboardItemId"
type="q2:guid"/>
        <xs:element xmlns:q2="http://microsoft.com/wsdl/types/" name="mappingId"
type="q2:guid"/>
        <xs:element name="values" nillable="true">
          <xs:complexType>
            <xs:sequence>
              <xs:any minOccurs="0" maxOccurs="unbounded"
namespace="http://www.w3.org/2001/XMLSchema" processContents="lax"/>
              <xs:any minOccurs="1" namespace="urn:schemas-microsoft-com:xml-diffgram-v1"
processContents="lax"/>
            </xs:sequence>
          </xs:complexType>
        </xs:element>
      </xs:sequence>
    </xs:extension>
  </xs:complexContent>
</xs:complexType>
```

**dashboardItemId:** Specifies the identifier of the **DashboardItem** ([MS-PPSAS] section 2.2.4.83) that emits this **ParameterMessage**. This element MUST be present and MUST NOT be null.

**mappingId:** Specifies the identifier of the **ParameterMapping** ([MS-PPSAS] section 2.2.4.156) instance that governs the current instance. This element MUST be present and MUST NOT be null.

**values:** Specifies a **DataTable** object (as described in [DataTable]) which MUST contain a row for each of the currently selected parameters. The **DataTable** MUST contain all of the columns as specified by the **ParameterDefinition** ([MS-PPSAS] section 2.2.4.156). This element MUST be present and MUST NOT be null.

#### 2.2.4.15 ParameterSearchResultRecord

**Namespace:**

http://schemas.datacontract.org/2004/07/Microsoft.PerformancePoint.Scorecards.ServerCommon

The **ParameterSearchResultRecord** complex type <2> contains a string that represents an array of search result nodes and a string which represents an array of ancestor node display captions.

```
<xs:complexType name="ParameterSearchResultRecord"
xmlns:xs="http://www.w3.org/2001/XMLSchema">
  <xs:sequence>
    <xs:element name="_ancestors" nillable="true" type="xs:string"/>
    <xs:element name="resultNodes" nillable="true" type="xs:string"/>
  </xs:sequence>
</xs:complexType>
```

**\_ancestors:** A **JavaScript Object Notation (JSON)** (as specified in [RFC4627]) serialized string specifying an array of strings which represent ancestor node display captions.

**\_resultNodes:** A JSON (as specified in [RFC4627]) serialized string specifying an array of objects which represent search result nodes.



## 2.2.4.16 ResourceDependencies

**Namespace:** http://www.microsoft.com/performancepoint/scorecards

The **ResourceDependencies** complex type specifies resources that are required for rendering a Web Part.

```
<xs:complexType name="ResourceDependencies" xmlns:xs="http://www.w3.org/2001/XMLSchema">
  <xs:sequence>
    <xs:element minOccurs="0" maxOccurs="1" name="ExternalCssDependencies"
type="tns:ArrayOfString"/>
    <xs:element minOccurs="0" maxOccurs="1" name="ScriptDependencies"
type="tns:ArrayOfScriptDependency"/>
    <xs:element minOccurs="0" maxOccurs="1" name="CustomStartupScript" type="xs:string"/>
  </xs:sequence>
</xs:complexType>
```

**ExternalCssDependencies:** An **ArrayOfString** (specified in [\[MS-PPSAS\]](#) section 2.2.4.54) where each member of the array contains the name of a **cascading style sheet (CSS)** file which is needed for rendering a Web Part.

**ScriptDependencies:** An **ArrayOfScriptDependency** (section [2.2.4.5](#)) where each member of the array contains information about a script file which is needed for rendering a Web Part.

**CustomStartupScript:** A string containing a script to be executed in the browser when a Web Part is rendered.

## 2.2.4.17 ScriptDependency

**Namespace:** http://www.microsoft.com/performancepoint/scorecards

The **ScriptDependency** complex type specifies a script file that is required for rendering a Web Part.

```
<xs:complexType name="ScriptDependency" xmlns:xs="http://www.w3.org/2001/XMLSchema">
  <xs:sequence>
    <xs:element minOccurs="0" maxOccurs="1" name="ScriptLocation" type="xs:string"/>
  </xs:sequence>
</xs:complexType>
```

**ScriptLocation:** The **relative path** of the script file, or the identifier of the script file when it is embedded as a resource in an **assembly**.

## 2.2.4.18 Setting

**Namespace:** http://www.microsoft.com/performancepoint/scorecards

The **Setting** complex type specifies a configuration setting.

```
<xs:complexType name="Setting" xmlns:xs="http://www.w3.org/2001/XMLSchema">
  <xs:attribute name="Key" type="xs:string"/>
  <xs:attribute name="Type" type="tns:SettingType" use="required"/>
  <xs:attribute name="Value" type="xs:string"/>
  <xs:attribute name="DefaultValue" type="xs:string"/>
</xs:complexType>
```

**Key:** A unique identifier for the setting. This element **MUST NOT** be null or empty. It **MUST** be one of the values from the following table.

Key	Description	Type	Minimum	Maximum	Illegal Characters
EnableAnnotation	Allows users to add comments to scorecard cells.	Boolean			
EnableDeletionByAuthor	Allows scorecard to be deleted by author.	Boolean			
MaxAnnotationAllowed	Max number of commented cells per scorecard.	Integer	0	1000000	
FilterRememberUserSelectionsDays	Days to remember user filter selections.	Integer	1	10000	
MaxHoursOfSessionObjects	Hours to keep user navigation history.	Integer	1	48	
MsmQueueEnabled	Send notifications to Microsoft Message Queuing (MSMQ) on content change.	Boolean			
MsmQueueName	Queue name of the Microsoft Messaging Queue.	String	0	380 chars	\+ , " \n \r
SdLargeRowLimit	Maximum number of rows to retrieve for show details.	Integer	1	1000000	
SdSmallRowLimit	Initial number of rows to retrieve for show details.	Integer	1	100000	
SdLargeEnableLimit	Enable SdLargeRowLimit . If set to False, Analysis Services controls limit.	Boolean			
SelectMeasureMaximum	Maximum number of measures to show in a dashboard Select Measure control.	Integer	0	1000000	
DecompositionTreeMaximum	Set the maximum number of items	Integer	0	1000000	

Key	Description	Type	Minimum	Maximum	Illegal Characters
	(per <b>level</b> ) returned to the decomposition tree visualization.				
EnableAnalyticQueryLogging	Verbose logging of query events.	Boolean			
IndicatorImageCacheTime	Seconds to cache KPI icons.	Integer	1	3600	
DataSourceQueryTimeout	Seconds to timeout for a data source query.	Integer	1	3600	
TreeViewControlMaxNumRecordsToRender	Maximum number of records to show in filter	Integer	1	100000	
DataSourceTrustedLocationsRestricted	When switched on, only trust specified locations. Default is to trust all Data Source locations.	Boolean			
WorkspaceTrustedLocationsRestricted	When switched on, only trust specified locations. Default is to trust all Content locations.	Boolean			
SharedIdentityUsername	The username that that service application is using as the unattended service account. (read only)	String	0	268435455 chars	
ApplicationProxyCacheEnabled	Enable or disable rendered output cache on the front-end Web server.	Boolean			
ApplicationCacheEnabled	Enable or disable rendered output cache on the application server.	Boolean			
ApplicationCacheMinimumHitCount	Set the minimum number of times rendered output MUST be	Integer	0	1000	

Key	Description	Type	Minimum	Maximum	Illegal Characters
	requested before it is added to cache.				
SpFcoCacheTimeout	Set the first class object cache expiration time.	Integer	0	3600	
AnalyticQueryCellMax	Sets a maximum number of returned cells in an analytic grid.	Integer	1	1000000000	
AnalyticResultCacheMinimumHitCount	Set the minimum number of times an analytic result set MUST be requested before it is added to cache.	Integer	0	1000	

**Type:** The type of the setting value. This element MUST be a value specified in **SettingType** (section [2.2.5.2](#)).

**Value:** A value for the setting. This element MUST NOT be null.

**DefaultValue:** A default value for the setting.

#### 2.2.4.19 SubstitutionPair

**Namespace:**

<http://schemas.datacontract.org/2004/07/Microsoft.PerformancePoint.Scorecards.ServerCommon>

The **SubstitutionPair** complex type specifies a pair of strings for substitution.

```
<xs:complexType name="SubstitutionPair" xmlns:xs="http://www.w3.org/2001/XMLSchema">
  <xs:sequence>
    <xs:element name="_x003C_Token_x003E_k__BackingField" nillable="true" type="xs:string"/>
    <xs:element name="_x003C_Value_x003E_k__BackingField" nillable="true" type="xs:string"/>
  </xs:sequence>
</xs:complexType>
```

**\_x003C\_Token\_x003E\_k\_\_BackingField:** A string that identifies a pattern to be replaced.

**\_x003C\_Value\_x003E\_k\_\_BackingField:** A string that replaces the token.

#### 2.2.4.20 WebPartContext

**Namespace:** <http://www.microsoft.com/performancepoint/scorecards>

The **WebPartContext** complex type specifies the current state, inputs, and outputs of a Web Part.

```
<xs:complexType name="WebPartContext" xmlns:xs="http://www.w3.org/2001/XMLSchema">
  <xs:sequence>
    <xs:element minOccurs="0" maxOccurs="1" name="ClientViewState"
      type="tns:DictionaryWrapperOfStringString"/>
  </xs:sequence>
</xs:complexType>
```

```

    <xs:element minOccurs="0" maxOccurs="1" name="InUseProviderParameterNames"
    type="tns:ArrayOfString"/>
    <xs:element minOccurs="0" maxOccurs="1" name="ProviderParameterSelections"
    type="tns:DictionaryWrapperOfStringListOfString"/>
  </xs:sequence>
</xs:complexType>

```

**ClientViewState:** Specifies the **DictionaryWrapperOfStringString** (section [2.2.4.11](#)) that contains the current state of the Web Part's view. This element **MUST** be present.

**InUseProviderParameterNames:** Specifies an array of begin points on a Web Part that are connected to an endpoint. This element **MUST** be present.

**ProviderParameterSelections:** Specifies the **DictionaryWrapperOfStringListOfString** (section [2.2.4.10](#)) that contains the currently selected parameter values. This element **MUST** be present.

### 2.2.4.21 WebPartContextUpdate

**Namespace:** <http://www.microsoft.com/performancepoint/scorecards>

The **WebPartContextUpdate** complex type specifies the updated Web Part state and input information.

```

<xs:complexType name="WebPartContextUpdate" xmlns:xs="http://www.w3.org/2001/XMLSchema">
  <xs:sequence>
    <xs:element name="_clientViewStateWrapper" nillable="true"
    type="tns:DictionaryWrapperOfStringString"/>
    <xs:element name="_legacyFilterSelections" nillable="true" type="tns:ArrayOfBIData"/>
  </xs:sequence>
</xs:complexType>

```

**\_clientViewStateWrapper:** Specifies the **DictionaryWrapperOfStringString** (section [2.2.4.11](#)) that contains the current state of the view of the Web Part. This element **MUST** be present and **MUST NOT** be null.

**\_legacyFilterSelections:** Specifies the **ArrayOfBIData** (section [2.2.4.3](#)) which contains the selections of any connected Web Part providers which are neither **filters** nor scorecards. This element **MUST** be present and **MUST NOT** be null.

### 2.2.4.22 DictionaryWrapperOfStringArrayOfString

**Namespace:** <http://www.microsoft.com/performancepoint/scorecards>

The **DictionaryWrapperOfStringArrayOfString** complex type specifies a collection of **ArrayOfArrayOfString** values (section [2.2.4.2](#)) with associated string keys.

```

<xs:complexType name="DictionaryWrapperOfStringArrayOfString"
xmlns:xs="http://www.w3.org/2001/XMLSchema">
  <xs:sequence>
    <xs:element name="keys" nillable="true" type="tns:ArrayOfString"/>
    <xs:element name="values" nillable="true" type="tns:ArrayOfArrayOfString"/>
  </xs:sequence>
</xs:complexType>

```

**keys:** An **ArrayOfString** (specified in [\[MS-PPSAS\]](#) section 2.2.4.54) where each member of the array serves as a key for addressing the contents of the **values** array.

**values:** An array of **ArrayOfArrayOfString**.

## 2.2.5 Simple Types

The following table summarizes the set of common XML schema simple type definitions defined by this specification. XML schema simple type definitions that are specific to a particular operation are described with the operation.

Simple type	Description
<b>ExportFormat</b>	The <b>ExportFormat</b> simple type specifies the export data format for a report or a scorecard.
<b>SettingType</b>	The <b>SettingType</b> simple type specifies how to interpret setting values when they are presented as strings.

### 2.2.5.1 ExportFormat

**Namespace:** <http://www.microsoft.com/performancepoint/scorecards>

The **ExportFormat** simple type specifies the export data format for a report or a scorecard.

```
<xs:simpleType name="ExportFormat" xmlns:xs="http://www.w3.org/2001/XMLSchema">
  <xs:restriction base="xs:string">
    <xs:enumeration value="Excel"/>
    <xs:enumeration value="PowerPoint"/>
  </xs:restriction>
</xs:simpleType>
```

The following table specifies the allowable values for the **ExportFormat** simple type.

Value	Meaning
Excel	Export data formatted as specified in <a href="#">[MS-XLSX]</a> .
PowerPoint	Export data formatted as specified in <a href="#">[MS-PPTX]</a> .

### 2.2.5.2 SettingType

**Namespace:** <http://www.microsoft.com/performancepoint/scorecards>

The **SettingType** simple type specifies how to interpret setting values when they are presented as strings.

```
<xs:simpleType name="SettingType" xmlns:xs="http://www.w3.org/2001/XMLSchema">
  <xs:restriction base="xs:string">
    <xs:enumeration value="String"/>
    <xs:enumeration value="Boolean"/>
    <xs:enumeration value="Integer"/>
  </xs:restriction>
</xs:simpleType>
```

The following table specifies the allowable values for the **SettingType** simple type.

<b>Value</b>	<b>Meaning</b>
String	The setting value is a string.
Boolean	The setting value is a Boolean.
Integer	The setting value is a numeric integer.

### **2.2.6 Attributes**

This specification does not define any common XML schema attribute definitions.

### **2.2.7 Groups**

This specification does not define any common XML schema group definitions.

### **2.2.8 Attribute Groups**

This specification does not define any common XML schema attribute group definitions.

### **2.2.9 Common Data Structures**

This specification does not define any common XML schema data structures.

Preliminary

## 3 Protocol Details

This protocol allows protocol servers to notify protocol clients of application-level faults using SOAP faults. Except where specified, these SOAP faults are not significant for interoperability, and protocol clients can interpret them in an implementation-specific manner.

This protocol allows protocol servers to perform implementation-specific authorization checks and notify protocol clients of authorization faults either using HTTP status codes or using SOAP faults as specified previously in this section.

Occasionally, instances occur where this web service's WSDL specifies optionality (for example, `minOccurs="0"` and `maxOccurs="1"`) that conflicts with the stated behavior in this document, or the document doesn't contain the stated behavior. In such cases, where the document and the WSDL conflict, the document takes precedence. In cases where the document doesn't specify optionality, the argument has to be present, even if the WSDL specifies that the argument is optional (for example, `minOccurs="0"`).

In cases where an argument is optional and the WSDL specifies both `"minOccurs=0"` and `"Nillable=true"`, treat the argument as only `"minOccurs=0"`.

The client side of this protocol is simply a pass-through. That is, no additional timers or other state is required on the client side of this protocol. Calls made by the higher-layer protocol or application are passed directly to the transport, and the results returned by the transport are passed directly back to the higher-layer protocol or application.

Except where specified, protocol clients SHOULD interpret HTTP status codes returned by the protocol server as specified in [\[RFC2616\]](#) (Section 10, Status Code Definitions).

### 3.1 Server Details

The Application Server interface is called by a protocol client running on a Web server. Each operation in the interface is stateless, so it can be called without any other operation being called before it.

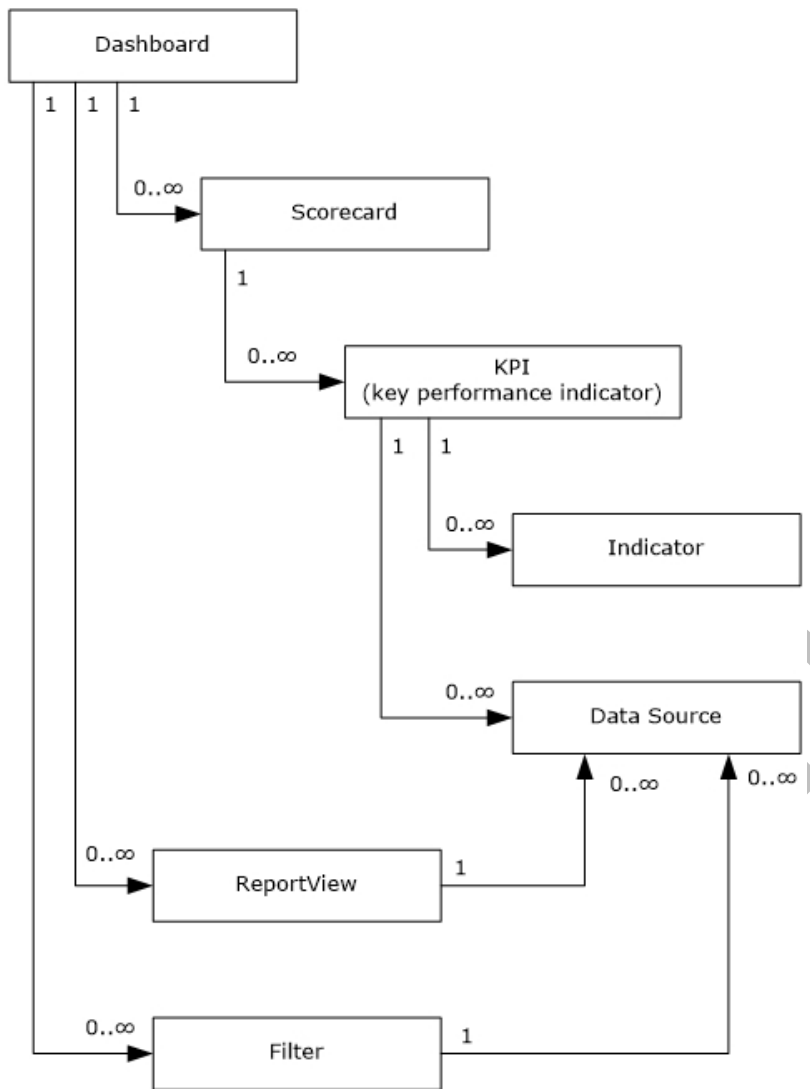
This protocol supports the operations specified in [\[MS-PPSAS\]](#), and [\[MS-PPSDECO\]](#), and allows the Web server and application server to run on separate tiers in a multi-tier deployment.

#### 3.1.1 Abstract Data Model

This section describes a conceptual model of possible data organization that an implementation maintains to participate in this protocol. The described organization is provided to facilitate the explanation of how the protocol behaves. This document does not mandate that implementations adhere to this model as long as their external behavior is consistent with that described in this document.

The protocol server maintains a collection of **FirstClassElement** objects (see [\[MS-PPSAS\]](#) section 2.2.4.99) indexed by unique repository locations. Each first-class element can be independently published to and read from the server. Each first-class element references its dependents by their unique repository locations. The following UML diagram describes how the **FirstClassElement** objects are related:





**Figure 2: Overview of first-class elements**

A first-class element's dependents must be published prior to that first-class element being consumed on the server. For example, all the first-class elements that a dashboard is dependent on must be published prior to that dashboard being deployed or viewed.

The following classes are defined as first-class elements:

**Dashboard:** A customizable landing page for a business application or workspace that uses Web Parts to display selected information. It can provide a comprehensive look at the information inside the application or workspace by consolidating **lists**, libraries, text, images and other data into a dynamic, customizable information portal.

Each Web Part on a dashboard displays the information specified by a single first-class element.

The Filters, Reports, and Scorecards in a Dashboard can be connected together so that changes in the state of one first-class element will change the information displayed by other first-class elements. For example, a Filter can be connected to Report Views or Scorecards so that changes to the selections made in the Filter are reflected in the information shown by those Report Views and Scorecards.

When Filters, Reports, and Scorecards are connected in a Dashboard, each connection has an explicit source and a destination. State information in a dashboard always flows from a connection source or begin point in one first-class element to a connection destination or endpoint in another first-class element. Filters, Reports, and Scorecards may each have multiple begin points and endpoints. A connection is fully defined by a source element, a begin point on that element, a destination element and an endpoint on that element. For example, the member name begin point on a Filter could be connected to the row endpoint on a Scorecard.

There are limitations on the way different first-class elements can be connected in a Dashboard:

First-class element	Can be a source?	Can be a destination?
Filter	Yes	No
Report View	No	Yes
Scorecard	Yes	Yes

- The connection cannot create a circular reference; a user cannot connect a scorecard to a filter that is already linked to the scorecard.
- A begin point is available if:
  - It is not already connected to another begin point or it is connected but its `AcceptMultipleFilterLinks` property is set to true.
  - It is not already connected to the begin point. If the dashboard item is a scorecard it can accept multiple connections from the same begin point.
- Unless the target item is a scorecard a user cannot make multiple connections from a begin point to a target.
- Although a scorecard can accept multiple connections from the same begin point, those connections cannot be to the same endpoint on the scorecard. In other words, a user can connect a filter to a scorecard's Row endpoint and its Column endpoint, but a user cannot connect a begin point to a scorecard's Row endpoint twice.

**Scorecard:** A report type that depicts organizational performance by displaying a collection of key performance indicators (KPIs) together with performance targets for those KPIs. A scorecard can be organized hierarchically.

**ReportView:** A visual display of data in a dashboard that can be coordinated with other report views by using filters.

**Filter:** A feature that enables users to modify dashboard views by changing the subset of data that is displayed in reports or scorecards.

**KPI (key performance indicator):** A predefined measure that is used to track performance of a strategic goal, objective, plan, initiative, or business process. A KPI is evaluated against a target. An explicit and measurable value taken directly from a data source.

**Indicator:** A set of graphics, text, and colors for defining different levels of performance when comparing an actual value and a target value within a KPI.

**DataSource:** A reference to a disk, file, document, or other collection of information from which data is taken or moved.

The server also maintains a collection of annotations.

**Annotation:** One of possibly several notations associated with a comment. Each comment is associated with a single cell in a scorecard and meant to provide related information about the value in that scorecard cell.

### 3.1.2 Timers

If a request exceeds a query timeout period, the server MUST return a SOAP FAULT response, which MUST contain the **Query Timeout**<3> ErrorCode as specified in section 2.2.2.1.

### 3.1.3 Initialization

A connection that uses the underlying protocol layers that are specified in section 1.4 MUST be established before using this protocol.

### 3.1.4 Message Processing Events and Sequencing Rules

The following table summarizes the list of operations as defined by this specification.

Operation	Description
<b>CreateAnnotation</b>	Used to create an <b>Annotation</b> on the protocol server. Specified in [MS-PPSAS].
<b>CreateDataSource</b>	Used to create a <b>DataSource</b> on the protocol server. Specified in [MS-PPSAS].
<b>CreateNavigationMetadata</b>	The <b>CreateNavigationMetadata</b> operation is used to generate a JavaScript representation of hierarchical <b>cube</b> metadata for a given report <b>DataSource</b> .
<b>CreateReportHtml</b>	The <b>CreateReportHtml</b> operation is used to generate an HTML fragment and associated JavaScript for a given <b>list item</b> .
<b>DecompAutoExpand</b>	The <b>DecompAutoExpand</b> operation is used to get additional node data for a specific node, where named actions are not known.
<b>DecompCreateNavigationList</b>	Returns a list of named actions for use with the navigationItemUniqueName element of the Expand operation, as specified in [MS-PPSDECO] section 3.1.4.2.2.1.
<b>DecompExpand</b>	The <b>DecompExpand</b> operation<4> is used to get additional node data for a specific node, using a named action.
<b>DecompGetMemberProperties</b>	Returns properties associated with a specified node, as specified in [MS-PPSDECO] section 3.1.4.4.2.1.
<b>DecompStartAnalyze</b>	The <b>DecompStartAnalyze</b> operation is used to perform a drilldown query on an OLAP data cell.
<b>DeleteAnnotation</b>	Deletes an Annotation from the protocol server. Specified in [MS-PPSAS].
<b>DeleteDataSource</b>	Deletes a DataSource from the protocol server. Specified in [MS-PPSAS].
<b>ExportReport</b>	The <b>ExportReport</b> operation retrieves a report formatted as specified in [MS-XLSX] or [MS-PPTX] from the protocol server.
<b>ExportScorecard</b>	The <b>ExportScorecard</b> operation retrieves a report formatted as specified in [MS-XLSX] or [MS-PPTX]

Operation	Description
	from the protocol server.
<b>GenerateView</b>	Generates the data structure that represents a scorecard grid view based on information stored on the server. Specified in [MS-PPSAS].
<b>GenerateViewDirect</b>	Generates the data structure that represents a scorecard grid view using information sent from the client. Specified in [MS-PPSAS].
<b>GetAllAnnotationsByScorecardLocation</b>	Retrieves an array of <b>Annotation</b> elements associated with a scorecard. Specified in [MS-PPSAS].
<b>GetAnalyticReportView</b>	Retrieves a report view from the protocol server that has been created through <b>SaveTemporaryAnalyticReport</b> or <b>CreateReportView</b> . Specified in [MS-PPSAS].
<b>GetAnnotation</b>	Retrieves an Annotation associated with a scorecard cell from the protocol server. Specified in [MS-PPSAS].
<b>GetAnnotationByID</b>	Retrieves an Annotation from a specified <b>GUID</b> from the protocol server. Specified in [MS-PPSAS].
<b>GetAnnotationSetting</b>	Retrieves an AnnotationSetting object that contains the annotation settings for the protocol server. Specified in [MS-PPSAS].
<b>GetAsKpis</b>	Takes in an <b>Analysis Services DataSource</b> along with a server-relative URL to the KPI list and returns a collection of KPIs as defined in <b>ArrayOfKpi</b> . Specified in [MS-PPSAS].
<b>GetCube</b>	Takes in a <b>RepositoryLocation</b> object and returns the associated cube object. Specified in [MS-PPSAS].
<b>GetCubeFromDataSource</b>	Takes in a <b>DataSource</b> object and returns the associated cube object. Specified in [MS-PPSAS].
<b>GetCubeMetaData</b>	Takes in an Analysis Services RepositoryLocation object and returns the associated cube object. Specified in [MS-PPSAS].
<b>GetCubeMetaDataForDataSource</b>	Takes in an Analysis Services <b>DataSource</b> object and returns the associated cube object. Specified in [MS-PPSAS].
<b>GetCubeNameInfos</b>	Retrieves an ArrayOfNameInfo that describes the cubes of the <b>DataSource</b> . Specified in [MS-PPSAS].
<b>GetDatabaseNamesFromDataSource</b>	Retrieves an array of database names associated with the <b>DataSource</b> . Specified in [MS-PPSAS].
<b>GetDataSource</b>	Retrieves a <b>DataSource</b> . Specified in [MS-PPSAS].
<b>GetDependentElements</b>	Retrieves from the server all FirstClassElements associated with a list of repository locations. Specified in [MS-PPSAS].

Operation	Description
<b>GetDimensions</b>	Retrieves an array of dimension objects. Specified in [MS-PPSAS].
<b>GetDimensionsFromDataSource</b>	Retrieves an array of dimension objects. Specified in [MS-PPSAS].
<b>GetDrillThroughPreview</b>	The <b>GetDrillThroughPreview</b> operation is used to perform a drill through query on an OLAP data cell.
<b>GetFilterDependencies</b>	The <b>GetFilterDependencies</b> operation retrieves the required external dependencies for rendering a filter.
<b>GetFilterDisplayData</b>	The <b>GetFilterDisplayData</b> operation retrieves a data table of filter display data from the protocol server.
<b>GetKpisFromScorecard</b>	Retrieves an array of Kpi objects associated with a scorecard. Specified in [MS-PPSAS].
<b>GetLatestAnalyticReportVersion</b>	Retrieves from the protocol server the version number for a report view that has been created through SaveTemporaryAnalyticReport. Specified in [MS-PPSAS].
<b>GetListItems</b>	Retrieves all FirstClassElements associated with a given repository list from the server. Specified in [MS-PPSAS].
<b>GetMdx</b>	Retrieves a <b>multidimensional expression (MDX)</b> expression that can be used to query data sources for the given analytic report. Analytic Chart and Analytic Grid report view types contain custom data that is used to generate MDX queries. Specified in [MS-PPSAS].
<b>GetParameterDisplayData</b>	Builds a template DataTable (empty DataTable) containing all the columns produced by a specific parameter type. The referred parameter represents a specific kind of connection between two Web Parts. The resulting DataTable represents an empty sample of the information that gets passed on that connection.
<b>GetParameterMessageData</b>	The <b>GetParameterMessageData</b> operation retrieves a <b>DataTable</b> (as described in [DataTable]) containing all of the selected values of a parameter.
<b>GetPreviewDataSet</b>	Retrieves a data set from a <b>DataSource</b> , which is suitable for previewing results. Specified in [MS-PPSAS].
<b>GetQueryResultMembers</b>	Retrieves an array of members associated with the specified report. Specified in [MS-PPSAS].
<b>GetRegisteredCustomFCOs</b>	Retrieves custom First Class Object (FCO) definitions registered on the server. Specified in [MS-PPSAS].
<b>GetRemainingParameterDisplayData</b>	The <b>GetRemainingParameterDisplayData</b> operation <a href="#">&lt;5&gt;</a> retrieves an object of type <b>ParameterGetRemainingResultRecord</b> (section

Operation	Description
	<p><a href="#">3.1.4.10.3.1</a>) that contains the filter's display data values beyond the limit setting imposed by the protocol server. The limit setting is specified by the <b>TreeViewControlMaxNumRecordsToRender</b> key in <b>Settings</b> (section <a href="#">2.2.4.18</a>).</p>
<b>GetRemainingSearchResults</b>	<p>The <b>GetRemainingSearchResults</b> operation <a href="#">&lt;6&gt;</a> retrieves an object of type <b>ParameterSearchResultRecord</b> (section <a href="#">2.2.4.15</a>), which contains the search result values beyond the limit setting imposed by the protocol server. The limit setting is specified by the <b>TreeViewControlMaxNumRecordsToRender</b> key in <b>Settings</b> (section <a href="#">2.2.4.18</a>).</p>
<b>GetRenderControlPreview</b>	<p>The <b>GetRenderControlPreview</b> operation is used when a control is HTML rendered directly to the report preview page that is rendered within the report designer. The report control preview rendering has its own enabled feature set. Additionally, the report control preview does not accept parameters from Web Part connections.</p>
<b>GetReportDependencies</b>	<p>The <b>GetReportDependencies</b> operation retrieves the required external dependencies for rendering a report.</p>
<b>GetReportViewImageData</b>	<p>The <b>GetReportViewImageData</b> operation is a request to retrieve a report control image data. An analytic chart report is an example of where its chart view image data is retrieved from.</p>
<b>GetScorecardDependencies</b>	<p>The <b>GetScorecardDependencies</b> operation retrieves the required external dependencies for rendering a scorecard.</p>
<b>GetSetting</b>	<p>The <b>GetSetting</b> operation retrieves a configuration setting.</p>
<b>GetSettings</b>	<p>The <b>GetSettings</b> operation retrieves all configuration settings (section <a href="#">2.2.4.18</a>).</p>
<b>GetSettingValue</b>	<p>The <b>GetSettingValue</b> operation retrieves the current value of a configuration setting.</p>
<b>GetTreeMembersDataTable</b>	<p>Retrieves the specified members from a dimension of a data source. The return values are suitable for consumption by a user interface control which allows the user to select members. Specified in [MS-PPSAS].</p>
<b>GetStrategyMapReportView</b>	<p>The <b>GetStrategyMapReportView</b> operation retrieves a <b>report view</b> from the server that has been created through <b>SaveTemporaryStrategyMapReport</b> (section <a href="#">3.1.4.28</a>).</p>
<b>MaintenanceJob</b>	<p>The <b>MaintenanceJob</b> operation is used to start maintenance tasks (database cleanup jobs, for example).</p>
<b>QueryChildMembers</b>	<p>Uses a <b>DataSource</b> for the specified member and returns a collection of members. Specified in [MS-</p>

Operation	Description
	PPSAS].
<b>QueryChildMembersByRangeFromDataSource</b>	Queries the <b>DataSource</b> and returns a collection of child members. Specified in [MS-PPSAS].
<b>QueryChildMembersFromDataSource</b>	Uses the <b>DataSource</b> to retrieve a collection of child members for the specified member name. Specified in [MS-PPSAS].
<b>QueryDimensionRootMembers</b>	Uses a <b>DataSource</b> from the repository location for the specified member and returns a collection of root members. Specified in [MS-PPSAS].
<b>QueryDimensionRootMembersFromDataSource</b>	Uses the <b>DataSource</b> to retrieve a collection of root members for the specified member name. Specified in [MS-PPSAS].
<b>QueryNamedSets</b>	Retrieves the named sets that are defined by a <b>DataSource</b> when given the RepositoryLocation of the <b>DataSource</b> . Specified in [MS-PPSAS].
<b>QueryNamedSetsFromDataSource</b>	Retrieves the named sets that are defined by the given <b>DataSource</b> . Specified in [MS-PPSAS].
<b>QueryRelatedMember</b>	Retrieves a member that is related to the specified member by the specified relationship from the <b>DataSource</b> at the given RepositoryLocation. Specified in [MS-PPSAS].
<b>QueryRelatedMemberFromDataSource</b>	Queries the given <b>DataSource</b> for the member that is related to the specified member by the specified relationship. Specified in [MS-PPSAS].
<b>QueryTimeIntelligence</b>	Queries a <b>DataSource</b> location for the members that are specified by a time intelligence formula. Specified in [MS-PPSAS].
<b>QueryTimeIntelligenceDirect</b>	Queries a <b>DataSource</b> location for the members that are specified by a time intelligence formula. Specified in [MS-PPSAS].
<b>QueryTransformMembers</b>	Transforms a collection of members into a new set of member collection based on the operation passed on the transformation type parameter. Specified in [MS-PPSAS].
<b>RenderFilter</b>	The <b>RenderFilter</b> operation generates HTML (as specified by [HTML]) for a specific filter stored on the protocol server. The protocol client specifies which filter is to be rendered, and other parameters that affect the result's HTML content.
<b>RenderReport</b>	The <b>RenderReport</b> operation generates HTML markup for a specific report stored on the protocol server. The protocol client specifies which report is to be rendered, and other parameters that affect the result's HTML content.
<b>RenderScorecard</b>	The <b>RenderScorecard</b> operation generates HTML markup for a specific scorecard stored on the protocol server. The protocol client specifies which scorecard is to be rendered, and other parameters that affect the result's HTML content.

Operation	Description
<b>RenderScorecardAjaxControl</b>	The <b>RenderScorecardAjaxControl</b> operation generates scorecard <b>web control</b> HTML markup for a specific list item stored on the protocol server. The client specifies which list item is to be rendered, which Web control to use to render it, and other parameters that affect the result's HTML content.
<b>RenderTreeMemberSelector</b>	The <b>RenderTreeMemberSelector</b> operation is deprecated from the protocol and SHOULD NOT <a href="#">&lt;7&gt;</a> be used.
<b>ReportSupportsExportFormat</b>	The <b>ReportSupportsExportFormat</b> operation determines whether a report supports the specified export format.
<b>SaveFilterValues</b>	The <b>SaveFilterValues</b> operation saves the state of selections made for a given filter.
<b>SaveTemporaryAnalyticReport</b>	Stores a temporary copy of a report view to the server. Specified in [MS-PPSAS].
<b>SaveTemporaryStrategyMapReport</b>	The <b>SaveTemporaryStrategyMapReport</b> operation stores a temporary copy of a report view to the server. See <b>SaveTemporaryAnalyticReport</b> i [MS-PPSAS] section 3.1.4.65.
<b>ScorecardSupportsExportFormat</b>	The <b>ScorecardSupportsExportFormat</b> operation checks whether a scorecard supports the specified export format.
<b>SearchParameterDisplayData</b>	The <b>SearchParameterDisplayData</b> operation <a href="#">&lt;8&gt;</a> retrieves an object of type <b>ParameterSearchResultRecord</b> (section 2.2.4.15) that represents the filter's display data values that contain the specified search term.
<b>TestConnection</b>	Determines whether a connection as specified by the <b>DataSource</b> element can be established. Specified in [MS-PPSAS].
<b>TrimAnnotationByOwner</b>	Removes all the Annotations that are owned by a specific user. Specified in [MS-PPSAS].
<b>TrimAnnotationByScorecardLocation</b>	Removes all the Annotations that belong to a scorecard at a specific location. Specified in [MS-PPSAS].
<b>TrimAnnotationUntouchedSince</b>	Removes all the Annotations that haven't been updated since the specified date. Specified in [MS-PPSAS].
<b>UpdateAnnotation</b>	Updates an existing <b>Annotation</b> . Specified in [MS-PPSAS].
<b>UpdateDataSource</b>	Updates an existing <b>DataSource</b> . Specified in [MS-PPSAS].
<b>UpdateSettingValue</b>	The <b>UpdateSettingValue</b> operation modifies the current value of a configuration setting.
<b>ValidateKpi</b>	Determines whether a KPI stored on the server is



Operation	Description
	valid. Specified in [MS-PPSAS].
<b>ValidateScorecard</b>	Determines whether a scorecard stored on the server is valid. Specified in [MS-PPSAS].
<b>ValidateSiteCollection</b>	The <b>ValidateSiteCollection</b> operation <a href="#">&lt;9&gt;</a> is used to check if the <b>context site</b> has the server <b>feature</b> installed.

### 3.1.4.1 CreateNavigationMetadata

The **CreateNavigationMetadata** operation is used to generate a JavaScript representation of hierarchical cube metadata for a given report **DataSource**.

```
<wsdl:operation name="CreateNavigationMetadata"
xmlns:wsdl="http://schemas.xmlsoap.org/wsdl/">
  <wsdl:input
wsam:Action="http://www.microsoft.com/performancepoint/scorecards/IBIMonitoringServiceApplication/CreateNavigationMetadata"
message="tns:IBIMonitoringServiceApplication CreateNavigationMetadata InputMessage"
xmlns:wsam="http://www.w3.org/2007/05/addressing/metadata"/>
  <wsdl:output
wsam:Action="http://www.microsoft.com/performancepoint/scorecards/IBIMonitoringServiceApplication/CreateNavigationMetadataResponse"
message="tns:IBIMonitoringServiceApplication_CreateNavigationMetadata_OutputMessage"
xmlns:wsam="http://www.w3.org/2007/05/addressing/metadata"/>
  <wsdl:fault
wsam:Action="http://www.microsoft.com/performancepoint/scorecards/IBIMonitoringServiceApplication/CreateNavigationMetadataBpmExceptionFault" name="BpmExceptionFault"
message="tns:IBIMonitoringServiceApplication_CreateNavigationMetadata_BpmExceptionFault_FaultMessage" xmlns:wsam="http://www.w3.org/2007/05/addressing/metadata"/>
</wsdl:operation>
```

The protocol client sends an **IBIMonitoringServiceApplication\_CreateNavigationMetadata\_InputMessage** request message (section [3.1.4.1.1.1](#)) and the protocol server responds with an **IBIMonitoringServiceApplication\_CreateNavigationMetadata\_OutputMessage** response message (section [3.1.4.1.1.2](#)).

If an application error on the protocol server occurs during the operation, the protocol server MUST return a SOAP FAULT response, which MAY contain any subcode.

#### 3.1.4.1.1 Messages

The following table summarizes the set of WSDL message definitions that are specific to this operation.

Message	Description
<b>IBIMonitoringServiceApplication_CreateNavigationMetadata_InputMessage</b>	The request WSDL message for the <b>CreateNavigationMetadata</b> a <b>WSDL operation</b> .
<b>IBIMonitoringServiceApplication_CreateNavigationMetadata_OutputMessage</b>	The response WSDL message for the <b>CreateNavigationMetadata</b>

Message	Description
	a WSDL operation.

### 3.1.4.1.1.1 IBIMonitoringServiceApplication\_CreateNavigationMetadata\_InputMessage

The request WSDL message for the **CreateNavigationMetadata** WSDL operation.

The **SOAP action** value is:

```
http://www.microsoft.com/performancepoint/scorecards/IBIMonitoringServiceApplication/CreateNavigationMetadata
```

The **SOAP body** contains the **CreateNavigationMetadata** element.

### 3.1.4.1.1.2 IBIMonitoringServiceApplication\_CreateNavigationMetadata\_OutputMessage

The response WSDL message for the **CreateNavigationMetadata** WSDL operation.

The SOAP body contains the **CreateNavigationMetadataResponse** element.

### 3.1.4.1.2 Elements

The following table summarizes the XML schema element definitions that are specific to this operation.

Element	Description
<b>CreateNavigationMetadata</b>	The input data for the <b>CreateNavigationMetadata</b> WSDL operation.
<b>CreateNavigationMetadataResponse</b>	The result data for the <b>CreateNavigationMetadata</b> WSDL operation.

#### 3.1.4.1.2.1 CreateNavigationMetadata

The **CreateNavigationMetadata** element specifies the input data for the **CreateNavigationMetadata** WSDL operation.

```
<xs:element name="CreateNavigationMetadata" xmlns:xs="http://www.w3.org/2001/XMLSchema">
  <xs:complexType>
    <xs:sequence>
      <xs:element minOccurs="0" maxOccurs="1" name="targetControlId" type="xs:string"/>
      <xs:element minOccurs="0" maxOccurs="1" name="targetControlType" type="xs:string"/>
      <xs:element minOccurs="0" maxOccurs="1" name="olapContextId" type="xs:string"/>
      <xs:element minOccurs="0" maxOccurs="1" name="metadataContextId" type="xs:string"/>
      <xs:element minOccurs="0" maxOccurs="1" name="reportLocation" type="tns:RepositoryLocation"/>
      <xs:element minOccurs="0" maxOccurs="1" name="metadataAction" type="xs:string"/>
    </xs:sequence>
  </xs:complexType>
</xs:element>
```

**targetControlId:** A .string that identifies the control the navigation is being created for.

**targetControlType:** SHOULD be "OlapMetadata"; MUST NOT be NULL and MUST NOT be empty.

**olapContextId:** The name of the client-side OLAP context object variable.

**metadataContextId:** The name of the client-side view context object variable.

**reportLocation:** The location of a **ReportView** as specified by **RepositoryLocation** (specified in [\[MS-PPSAS\]](#) section 2.2.4.161). This element MUST be present. The **TypeName** attribute of the **ReportView** at the location specified MUST be "AnalyticChart" or "OLAPGrid".

**metadataAction:** SHOULD be `<Action type="GetCubeMetadata"></Action>`.

#### 3.1.4.1.2.2 CreateNavigationMetadataResponse

The **CreateNavigationMetadataResponse** element specifies the result data for the **CreateNavigationMetadata** WSDL operation.

```
<xs:element name="CreateNavigationMetadataResponse"
  xmlns:xs="http://www.w3.org/2001/XMLSchema">
  <xs:complexType>
    <xs:sequence>
      <xs:element minOccurs="0" maxOccurs="1" name="CreateNavigationMetadataResult"
        type="xs:string"/>
    </xs:sequence>
  </xs:complexType>
</xs:element>
```

**CreateNavigationMetadataResult:** A string value that is the script that fulfills the metadata request. For example, if the request is for cube metadata, the script returned would instantiate objects that would define the dimensions, hierarchies, and levels for the cube.

#### 3.1.4.1.3 Complex Types

None.

#### 3.1.4.1.4 Simple Types

None.

#### 3.1.4.1.5 Attributes

None.

#### 3.1.4.1.6 Groups

None.

#### 3.1.4.1.7 Attribute Groups

None.

#### 3.1.4.2 CreateReportHtml

The **CreateReportHtml** operation is used to generate an HTML fragment and associated JavaScript for a given list item.

```
<wsdl:operation name="CreateReportHtml" xmlns:wsdl="http://schemas.xmlsoap.org/wsdl/">
```

```

    <wsdl:input
wsam:Action="http://www.microsoft.com/performancepoint/scorecards/IBIMonitoringServiceApplication/CreateReportHtml"
message="tns:IBIMonitoringServiceApplication_CreateReportHtml_InputMessage"
xmlns:wsam="http://www.w3.org/2007/05/addressing/metadata"/>
    <wsdl:output
wsam:Action="http://www.microsoft.com/performancepoint/scorecards/IBIMonitoringServiceApplication/CreateReportHtmlResponse"
message="tns:IBIMonitoringServiceApplication_CreateReportHtml_OutputMessage"
xmlns:wsam="http://www.w3.org/2007/05/addressing/metadata"/>
    <wsdl:fault
wsam:Action="http://www.microsoft.com/performancepoint/scorecards/IBIMonitoringServiceApplication/CreateReportHtmlBpmExceptionFault" name="BpmExceptionFault"
message="tns:IBIMonitoringServiceApplication_CreateReportHtml_BpmExceptionFault_FaultMessage"
xmlns:wsam="http://www.w3.org/2007/05/addressing/metadata"/>
</wsdl:operation>

```

The protocol client sends an **IBIMonitoringServiceApplication\_CreateReportHtml\_InputMessage** request message (section [3.1.4.2.1.1](#)) and the protocol server responds with an **IBIMonitoringServiceApplication\_CreateReportHtml\_OutMessage** response message (section [3.1.4.2.1.2](#)).

If an application error occurs on the protocol server during the operation, the protocol server MUST return a SOAP fault response, which MAY contain any subcode.

### 3.1.4.2.1 Messages

The following table summarizes the set of WSDL message definitions that are specific to this operation.

Message	Description
<b>IBIMonitoringServiceApplication_CreateReportHtml_InputMessage</b>	The request WSDL message for the <b>CreateReportHtml</b> WSDL operation.
<b>IBIMonitoringServiceApplication_CreateReportHtml_OutputMessage</b>	The response WSDL message for the <b>CreateReportHtml</b> WSDL operation.

#### 3.1.4.2.1.1 IBIMonitoringServiceApplication\_CreateReportHtml\_InputMessage

The request WSDL message for the **CreateReportHtml** WSDL operation.

The SOAP action value is:

```

http://www.microsoft.com/performancepoint/scorecards/IBIMonitoringServiceApplication/CreateReportHtml

```

The SOAP body contains the **CreateReportHtml** element.

#### 3.1.4.2.1.2 IBIMonitoringServiceApplication\_CreateReportHtml\_OutputMessage

The response WSDL message for the **CreateReportHtml** WSDL operation.

The SOAP body contains the **CreateReportHtmlResponse** element.

### 3.1.4.2.2 Elements

The following table summarizes the XML schema element definitions that are specific to this operation.

Element	Description
<b>CreateReportHtml</b>	The input data for the <b>CreateReportHtml</b> WSDL operation.
<b>CreateReportHtmlResponse</b>	The result data for the <b>CreateReportHtml</b> WSDL operation.

#### 3.1.4.2.2.1 CreateReportHtml

The **CreateReportHtml** element specifies the input data for the **CreateReportHtml** WSDL operation.

```
<xs:element name="CreateReportHtml" xmlns:xs="http://www.w3.org/2001/XMLSchema">
  <xs:complexType>
    <xs:sequence>
      <xs:element minOccurs="1" maxOccurs="1" name="proxyCacheAttempt" type="xs:boolean"/>
      <xs:element minOccurs="0" maxOccurs="1" name="targetControlId" type="xs:string"/>
      <xs:element minOccurs="0" maxOccurs="1" name="targetControlType" type="xs:string"/>
      <xs:element minOccurs="0" maxOccurs="1" name="olapContextId" type="xs:string"/>
      <xs:element minOccurs="1" maxOccurs="1" name="availableHeight" type="xs:int"/>
      <xs:element minOccurs="1" maxOccurs="1" name="availableWidth" type="xs:int"/>
      <xs:element minOccurs="0" maxOccurs="1" name="reportLocation"
type="tns:RepositoryLocation"/>
      <xs:element minOccurs="0" maxOccurs="1" name="inboundParameters" type="xs:string"/>
      <xs:element minOccurs="0" maxOccurs="1" name="navigationAction" type="xs:string"/>
      <xs:element minOccurs="0" maxOccurs="1" name="viewProps" type="xs:string"/>
      <xs:element minOccurs="1" maxOccurs="1" name="isAccessibilityMode" type="xs:boolean"/>
    </xs:sequence>
  </xs:complexType>
</xs:element>
```

**proxyCacheAttempt:** Indicates whether to attempt to retrieve the report information from cache.

**targetControlId:** The identifier of the <Div> element that contains the resulting html.

**targetControlType:** The name of the report view type to be rendered. This element MUST be equal to the value given for the **TypeName** attribute of the **ReportView** type ([\[MS-PPSAS\]](#) section 2.2.4.160) that was specified when the **ReportView** was created.

**olapContextId:** The name of the client-side OLAP context object variable.

**availableHeight:** The available height of the control, as reported by the browser client.

**availableWidth:** The available width of the control, as reported by the browser client.

**reportLocation:** The report location of the report being rendered.

**inboundParameters:** An array of parameters passed to the control being rendered.

**navigationAction:** XML that defines what the command is doing to the report being rendered.

**viewProps:** Information about the current state of the report.

**isAccessibilityMode:** Indicates whether the client is in accessibility mode.

#### 3.1.4.2.2.2 CreateReportHtmlResponse

The **CreateReportHtmlResponse** element specifies the result data for the **CreateReportHtml** WSDL operation.

```
<xs:element name="CreateReportHtmlResponse" xmlns:xs="http://www.w3.org/2001/XMLSchema">
  <xs:complexType>
    <xs:sequence>
      <xs:element minOccurs="0" maxOccurs="1" name="proxyCacheKey" type="xs:string"/>
      <xs:element minOccurs="0" maxOccurs="1" name="proxyCacheSubs"
type="tns:ArrayOfSubstitutionPair"/>
      <xs:element minOccurs="1" maxOccurs="1" name="proxyCacheExpiration"
type="xs:dateTime"/>
      <xs:element minOccurs="0" maxOccurs="1" name="html" type="xs:string"/>
      <xs:element minOccurs="0" maxOccurs="1" name="script" type="xs:string"/>
    </xs:sequence>
  </xs:complexType>
</xs:element>
```

**proxyCacheKey:** Specifies the cache key associated with the rendered scorecard. This element MUST NOT be null. An empty value means the result was not cached.

**proxyCacheSubs:** The HTML (as specified by [\[HTML\]](#)) MAY contain placeholders for dynamic information. This property specifies a list of value pairs (placeholder name and value for placeholder), as defined in the **ArrayOfSubstitutionPair** complex type (section [2.2.4.6](#)). The protocol client MUST apply the substitution pairs to the rendered html if the result was cached.

**proxyCacheExpiration:** Specifies a DateTime value for when the cached value expires. The value "DateTime.MinValue" means the result was not cached.

**html:** A string that SHOULD contain an HTML fragment if no errors occurred while retrieving the list item; otherwise, a string that SHOULD contain an error message.

**script:** If the operation was successful, this element MUST contain a JavaScript string that defines the report's metadata and user interaction; otherwise, this element MUST be empty.

### 3.1.4.2.3 Complex Types

None.

### 3.1.4.2.4 Simple Types

None.

### 3.1.4.2.5 Attributes

None.

### 3.1.4.2.6 Groups

None.

### 3.1.4.2.7 Attribute Groups

None.

### 3.1.4.3 DecompStartAnalyze

The **DecompStartAnalyze** operation is used to perform a drilldown query on an OLAP data cell.

```
<wsdl:operation name="DecompStartAnalyze" xmlns:wsdl="http://schemas.xmlsoap.org/wsdl/">
```

```

    <wsdl:input
      wsam:Action="http://www.microsoft.com/performancepoint/scorecards/IBIMonitoringServiceApplication/DecompStartAnalyze"
      message="tns:IBIMonitoringServiceApplication_DecompStartAnalyze_InputMessage"
      xmlns:wsam="http://www.w3.org/2007/05/addressing/metadata"/>
    <wsdl:output
      wsam:Action="http://www.microsoft.com/performancepoint/scorecards/IBIMonitoringServiceApplication/DecompStartAnalyzeResponse"
      message="tns:IBIMonitoringServiceApplication_DecompStartAnalyze_OutputMessage"
      xmlns:wsam="http://www.w3.org/2007/05/addressing/metadata"/>
    <wsdl:fault
      wsam:Action="http://www.microsoft.com/performancepoint/scorecards/IBIMonitoringServiceApplication/DecompStartAnalyzeBpmExceptionFault" name="BpmExceptionFault"
      message="tns:IBIMonitoringServiceApplication_DecompStartAnalyze_BpmExceptionFault_FaultMessage" xmlns:wsam="http://www.w3.org/2007/05/addressing/metadata"/>
  </wsdl:operation>

```

If successful, this operation returns a non-empty **DecompRenderResultRecord** record that contains data for a specific node in the form of a **DecompRenderResultLevel** ([MS-PPSDECO] section 2.2.4.3) and a **DecompRenderResultNode** ([MS-PPSDECO] section 2.2.4.4).

### 3.1.4.3.1 Messages

The following table summarizes the set of WSDL message definitions that are specific to this operation.

Message	Description
<b>IBIMonitoringServiceApplication_DecompStartAnalyze_InputMessage</b>	The request WSDL message for the <b>DecompStartAnalyze</b> WSDL operation.
<b>IBIMonitoringServiceApplication_DecompStartAnalyze_OutputMessage</b>	The response WSDL message for the <b>DecompStartAnalyze</b> WSDL operation.

#### 3.1.4.3.1.1 IBIMonitoringServiceApplication\_DecompStartAnalyze\_InputMessage

The request WSDL message for the **DecompStartAnalyze** WSDL operation.

The SOAP action value is:

```

http://www.microsoft.com/performancepoint/scorecards/IBIMonitoringServiceApplication/DecompStartAnalyze

```

The SOAP body contains the **DecompStartAnalyze** element.

#### 3.1.4.3.1.2 IBIMonitoringServiceApplication\_DecompStartAnalyze\_OutputMessage

The response WSDL message for the **DecompStartAnalyze** WSDL operation.

The SOAP body contains the **DecompStartAnalyzeResponse** element.

### 3.1.4.3.2 Elements

The following table summarizes the XML schema element definitions that are specific to this operation.

Element	Description
<b>DecompStartAnalyze</b>	The input data for the <b>DecompStartAnalyze</b> WSDL operation.
<b>DecompStartAnalyzeResponse</b>	The result data for the <b>DecompStartAnalyze</b> WSDL operation.

### 3.1.4.3.2.1 DecompStartAnalyze

The **DecompStartAnalyze** element specifies the input data for the **DecompStartAnalyze** WSDL operation.

```
<xs:element name="DecompStartAnalyze" xmlns:xs="http://www.w3.org/2001/XMLSchema">
  <xs:complexType>
    <xs:sequence>
      <xs:element minOccurs="0" maxOccurs="1" name="type" type="xs:string"/>
      <xs:element minOccurs="0" maxOccurs="1" name="location" type="xs:string"/>
      <xs:element minOccurs="0" maxOccurs="1" name="tupleRecord"
type="tns:DecompTupleRecord"/>
      <xs:element minOccurs="0" maxOccurs="1" name="queryParameters"
type="tns:DecompQueryParameters"/>
      <xs:element minOccurs="0" maxOccurs="1" name="viewState" type="xs:string"/>
    </xs:sequence>
  </xs:complexType>
</xs:element>
```

**type:** Specifies the **DataSource** type. This element MUST be set to "olap", which means the OLAP type.

**location:** Specifies the First Class Object (FCO) location. This element MUST be a string identifying a session state known to the protocol server. It MUST NOT be null and MUST NOT be empty.

**tupleRecord:** Specifies named filters to be applied to the response. This element MUST be a **DecompTupleRecord** value (section [3.1.4.3.3.1](#)). This element MUST NOT be null.

**queryParameters:** Specifies the query parameters. This element MUST be a **DecompQueryParameters** value (section [2.2.4.9](#)). This element MUST NOT be null.

**viewState:** This element MAY be empty. If empty, this value is ignored. If non-empty, this value specifies additional information for the query.

### 3.1.4.3.2.2 DecompStartAnalyzeResponse

The **DecompStartAnalyzeResponse** element specifies the result data for the **DecompStartAnalyze** WSDL operation.

```
<xs:element name="DecompStartAnalyzeResponse" xmlns:xs="http://www.w3.org/2001/XMLSchema">
  <xs:complexType>
    <xs:sequence>
      <xs:element minOccurs="0" maxOccurs="1" name="DecompStartAnalyzeResult"
type="tns:DecompRenderResultRecord"/>
    </xs:sequence>
  </xs:complexType>
</xs:element>
```

**DecompStartAnalyzeResult:** A **DecompRenderResultRecord** value as specified in [\[MS-PPSDECO\]](#) section 2.2.4.5.



### 3.1.4.3.3 Complex Types

The following table summarizes the XML schema complex type definitions that are specific to this operation.

Complex type	Description
<b>DecompTupleRecord</b>	Specified in <a href="#">[MS-PPSDECO]</a>

#### 3.1.4.3.3.1 DecompTupleRecord

**Namespace:** <http://www.microsoft.com/performancepoint/scorecards>

Specified in [\[MS-PPSDECO\]](#)

```
<xs:complexType name="DecompTupleRecord" xmlns:xs="http://www.w3.org/2001/XMLSchema">
  <xs:sequence>
    <xs:element minOccurs="0" maxOccurs="1" name="RowSelections" type="tns:ArrayOfString"/>
    <xs:element minOccurs="0" maxOccurs="1" name="ColumnSelections"
type="tns:ArrayOfString"/>
    <xs:element minOccurs="0" maxOccurs="1" name="BackgroundMeasureName" type="xs:string"/>
  </xs:sequence>
</xs:complexType>
```

**RowSelections:** MUST specify zero or more filter names.

**ColumnSelections:** MUST specify zero or more filter names.

**BackgroundMeasureName:** Specifies the associated **measure** name.

#### 3.1.4.3.4 Simple Types

None.

#### 3.1.4.3.5 Attributes

None.

#### 3.1.4.3.6 Groups

None.

#### 3.1.4.3.7 Attribute Groups

None.

### 3.1.4.4 ExportReport

The **ExportReport** operation retrieves a report formatted as specified in [\[MS-XLSX\]](#) or [\[MS-PPTX\]](#) from the protocol server.

```
<wsdl:operation name="ExportReport" xmlns:wsdl="http://schemas.xmlsoap.org/wsdl/">
  <wsdl:input
wsam:Action="http://www.microsoft.com/performancepoint/scorecards/IBIMonitoringServiceApplica
```

```

tion/ExportReport" message="tns:IBIMonitoringServiceApplication_ExportReport_InputMessage"
xmlns:wsam="http://www.w3.org/2007/05/addressing/metadata"/>
  <wsdl:output
wsam:Action="http://www.microsoft.com/performancepoint/scorecards/IBIMonitoringServiceApplica
tion/ExportReportResponse"
message="tns:IBIMonitoringServiceApplication_ExportReport_OutputMessage"
xmlns:wsam="http://www.w3.org/2007/05/addressing/metadata"/>
  <wsdl:fault
wsam:Action="http://www.microsoft.com/performancepoint/scorecards/IBIMonitoringServiceApplica
tion/ExportReportBpmExceptionFault" name="BpmExceptionFault"
message="tns:IBIMonitoringServiceApplication_ExportReport_BpmExceptionFault_FaultMessage"
xmlns:wsam="http://www.w3.org/2007/05/addressing/metadata"/>
</wsdl:operation>

```

The protocol client sends an **IBIMonitoringServiceApplication\_ExportReport\_InputMessage** request message (section [3.1.4.4.1.1](#)) and the protocol server responds with an **IBIMonitoringServiceApplication\_ExportReport\_OutputMessage** response message (section [3.1.4.4.1.2](#)) as follows:

1. The protocol server receives a JSON (as specified in [\[RFC4627\]](#)) serialized string containing **ExportSettings** (section [2.2.4.12](#)).
2. The protocol server receives the **RepositoryLocation** of a **ReportView**, as specified in [\[MS-PPSAS\]](#) section 2.2.4.160.
3. The protocol server receives a **WebPartContext** (section [2.2.4.20](#)) containing the current context of the Web Part.
4. The protocol server MUST return **OfficeExportInfo** (section [2.2.4.13](#)).

### 3.1.4.4.1 Messages

The following table summarizes the set of WSDL message definitions that are specific to this operation.

Message	Description
<b>IBIMonitoringServiceApplication_ExportReport_InputMessage</b>	The request WSDL message for the <b>ExportReport</b> WSDL operation.
<b>IBIMonitoringServiceApplication_ExportReport_OutputMessage</b>	The response WSDL message for the <b>ExportReport</b> WSDL operation.

#### 3.1.4.4.1.1 IBIMonitoringServiceApplication\_ExportReport\_InputMessage

The request WSDL message for the **ExportReport** WSDL operation.

The SOAP action value is:

```

http://www.microsoft.com/performancepoint/scorecards/IBIMonitoringServiceApplication/ExportRe
port

```

The SOAP body contains the **ExportReport** element.

#### 3.1.4.4.1.2 IBIMonitoringServiceApplication\_ExportReport\_OutputMessage

The response WSDL message for the **ExportReport** WSDL operation.

The SOAP body contains the **ExportReportResponse** element.

### 3.1.4.4.2 Elements

The following table summarizes the XML schema element definitions that are specific to this operation.

Element	Description
<b>ExportReport</b>	The input data for the <b>ExportReport</b> WSDL operation.
<b>ExportReportResponse</b>	The result data for the <b>ExportReport</b> WSDL operation.

#### 3.1.4.4.2.1 ExportReport

The **ExportReport** element specifies the input data for the **ExportReport** WSDL operation.

```
<xs:element name="ExportReport" xmlns:xs="http://www.w3.org/2001/XMLSchema">
  <xs:complexType>
    <xs:sequence>
      <xs:element minOccurs="0" name="exportSettings" nillable="true" type="xs:string"/>
      <xs:element minOccurs="0" name="reportLocation" nillable="true"
type="tns:RepositoryLocation"/>
      <xs:element
xmlns:q1="http://schemas.datacontract.org/2004/07/Microsoft.PerformancePoint.Scorecards"
minOccurs="0" name="webPartContext" nillable="true" type="q1:WebPartContext"/>
    </xs:sequence>
  </xs:complexType>
</xs:element>
```

**exportSettings:** A JSON (as specified in [\[RFC4627\]](#)) serialized string specified by **ExportSettings** (section [2.2.4.12](#)) which lists all export settings. This element **MUST** be present.

**reportLocation:** The location of a report as specified by **RepositoryLocation** (specified in [\[MS-PPSAS\]](#) section 2.2.4.161). This element **MUST** be present.

**webPartContext:** Specifies the current context of a Web Part, as defined in **WebPartContext** (section [2.2.4.20](#)).

#### 3.1.4.4.2.2 ExportReportResponse

The **ExportReportResponse** element specifies the result data for the **ExportReport** WSDL operation.

```
<xs:element name="ExportReportResponse" xmlns:xs="http://www.w3.org/2001/XMLSchema">
  <xs:complexType>
    <xs:sequence>
      <xs:element
xmlns:q33="http://schemas.datacontract.org/2004/07/Microsoft.PerformancePoint.Scorecards.Serv
erCommon.Export" minOccurs="0" name="ExportReportResult" nillable="true"
type="q33:OfficeExportInfo"/>
    </xs:sequence>
  </xs:complexType>
</xs:element>
```

**ExportReportResult:** The export result as specified by **OfficeExportInfo** (section [2.2.4.13](#)).

### 3.1.4.4.3 Complex Types

None.

#### 3.1.4.4.4 Simple Types

None.

#### 3.1.4.4.5 Attributes

None.

#### 3.1.4.4.6 Groups

None.

#### 3.1.4.4.7 Attribute Groups

None.

### 3.1.4.5 ExportScorecard

The **ExportScorecard** operation retrieves a report formatted as specified in [\[MS-XLSX\]](#) or [\[MS-PPTX\]](#) from the protocol server.

```
<wsdl:operation name="ExportScorecard" xmlns:wsdl="http://schemas.xmlsoap.org/wsdl/">
  <wsdl:input
    wsam:Action="http://www.microsoft.com/performancepoint/scorecards/IBIMonitoringServiceApplication/ExportScorecard"
    message="tns:IBIMonitoringServiceApplication_ExportScorecard_InputMessage"
    xmlns:wsam="http://www.w3.org/2007/05/addressing/metadata"/>
  <wsdl:output
    wsam:Action="http://www.microsoft.com/performancepoint/scorecards/IBIMonitoringServiceApplication/ExportScorecardResponse"
    message="tns:IBIMonitoringServiceApplication_ExportScorecard_OutputMessage"
    xmlns:wsam="http://www.w3.org/2007/05/addressing/metadata"/>
  <wsdl:fault
    wsam:Action="http://www.microsoft.com/performancepoint/scorecards/IBIMonitoringServiceApplication/ExportScorecardBpmExceptionFault" name="BpmExceptionFault"
    message="tns:IBIMonitoringServiceApplication_ExportScorecard_BpmExceptionFault_FaultMessage"
    xmlns:wsam="http://www.w3.org/2007/05/addressing/metadata"/>
</wsdl:operation>
```

The protocol client sends an **IBIMonitoringServiceApplication\_ExportScorecard\_InputMessage** request message (section [3.1.4.5.1.1](#)) and the protocol server responds with an **IBIMonitoringServiceApplication\_ExportScorecard\_OutputMessage** response message (section [3.1.4.5.1.2](#)) as follows:

1. The protocol server receives a JSON (as specified in [\[RFC4627\]](#)) serialized string containing **ExportSettings** (section [2.2.4.12](#)).
2. The protocol server receives the **RepositoryLocation** of a **Scorecard**, as specified in [\[MS-PPSAS\]](#).
3. The protocol server receives a **WebPartContext** (section [2.2.4.20](#)) containing the current context of the Web Part.
4. The protocol server MUST return **OfficeExportInfo** (section [2.2.4.13](#)).

#### 3.1.4.5.1 Messages

The following table summarizes the set of WSDL message definitions that are specific to this operation.

Message	Description
<b>IBIMonitoringServiceApplication_ExportScorecard_InputMessage</b>	The request WSDL message for the <b>ExportScorecard</b> WSDL operation.
<b>IBIMonitoringServiceApplication_ExportScorecard_OutputMessage</b>	The response WSDL message for the <b>ExportScorecard</b> WSDL operation.

### 3.1.4.5.1.1 IBIMonitoringServiceApplication\_ExportScorecard\_InputMessage

The request WSDL message for the **ExportScorecard** WSDL operation.

The SOAP action value is:

```
http://www.microsoft.com/performancepoint/scorecards/IBIMonitoringServiceApplication/ExportScorecard
```

The SOAP body contains the **ExportScorecard** element.

### 3.1.4.5.1.2 IBIMonitoringServiceApplication\_ExportScorecard\_OutputMessage

The response WSDL message for the **ExportScorecard** WSDL operation.

The SOAP body contains the **ExportScorecardResponse** element.

### 3.1.4.5.2 Elements

The following table summarizes the XML schema element definitions that are specific to this operation.

Element	Description
<b>ExportScorecard</b>	The input data for the <b>ExportScorecard</b> WSDL operation.
<b>ExportScorecardResponse</b>	The result data for the <b>ExportScorecard</b> WSDL operation.

### 3.1.4.5.2.1 ExportScorecard

The **ExportScorecard** element specifies the input data for the **ExportScorecard** WSDL operation.

```
<xs:element name="ExportScorecard" xmlns:xs="http://www.w3.org/2001/XMLSchema">
  <xs:complexType>
    <xs:sequence>
      <xs:element minOccurs="0" name="exportSettings" nillable="true" type="xs:string"/>
      <xs:element minOccurs="0" name="scorecardLocation" nillable="true"
type="tns:RepositoryLocation"/>
    </xs:sequence>
  </xs:complexType>
  xmlns:q1="http://schemas.datacontract.org/2004/07/Microsoft.PerformancePoint.Scorecards"
  minOccurs="0" name="webPartContext" nillable="true" type="q1:WebPartContext"/>
</xs:sequence>
</xs:complexType>
```

```
</xs:element>
```

**exportSettings:** A JSON (as specified in [\[RFC4627\]](#)) serialized string specified by **ExportSettings** (section [2.2.4.12](#)) which lists all export settings. The element **MUST** be present.

**scorecardLocation:** The location of a scorecard, as specified by **RepositoryLocation** (specified in [\[MS-PPSAS\]](#) section 2.2.4.161). This element **MUST** be present.

**webPartContext:** Specifies the current context of the Web Part, as defined in **WebPartContext** (section [2.2.4.20](#)).

### 3.1.4.5.2 ExportScorecardResponse

The **ExportScorecardResponse** element specifies the result data for the **ExportScorecard** WSDL operation.

```
<xs:element name="ExportScorecardResponse" xmlns:xs="http://www.w3.org/2001/XMLSchema">
  <xs:complexType>
    <xs:sequence>
      <xs:element
        xmlns:q33="http://schemas.datacontract.org/2004/07/Microsoft.PerformancePoint.Scorecards.ServerCommon.Export" minOccurs="0" name="ExportScorecardResult" nillable="true"
        type="q33:OfficeExportInfo"/>
    </xs:sequence>
  </xs:complexType>
</xs:element>
```

**ExportScorecardResult:** The export result as specified by **OfficeExportInfo** (section [2.2.4.13](#)).

### 3.1.4.5.3 Complex Types

None.

### 3.1.4.5.4 Simple Types

None.

### 3.1.4.5.5 Attributes

None.

### 3.1.4.5.6 Groups

None.

### 3.1.4.5.7 Attribute Groups

None.

### 3.1.4.6 GetDrillThroughPreview

The **GetDrillThroughPreview** operation is used to perform a drill through query on an OLAP data cell.

```
<wsdl:operation name="GetDrillThroughPreview" xmlns:wsdl="http://schemas.xmlsoap.org/wsdl/">
```

```

    <wsdl:input
wsam:Action="http://www.microsoft.com/performancepoint/scorecards/IBIMonitoringServiceApplica
tion/GetDrillThroughPreview"
message="tns:IBIMonitoringServiceApplication_GetDrillThroughPreview_InputMessage"
xmlns:wsam="http://www.w3.org/2007/05/addressing/metadata"/>
    <wsdl:output
wsam:Action="http://www.microsoft.com/performancepoint/scorecards/IBIMonitoringServiceApplica
tion/GetDrillThroughPreviewResponse"
message="tns:IBIMonitoringServiceApplication_GetDrillThroughPreview_OutputMessage"
xmlns:wsam="http://www.w3.org/2007/05/addressing/metadata"/>
    <wsdl:fault
wsam:Action="http://www.microsoft.com/performancepoint/scorecards/IBIMonitoringServiceApplica
tion/GetDrillThroughPreviewBpmExceptionFault" name="BpmExceptionFault"
message="tns:IBIMonitoringServiceApplication_GetDrillThroughPreview_BpmExceptionFault_FaultMe
ssage" xmlns:wsam="http://www.w3.org/2007/05/addressing/metadata"/>
</wsdl:operation>

```

This operation executes an OLAP query using the cell definition provided with the **tupleXml** element (section [3.1.4.6.2.1](#)) to return a table of results.

### 3.1.4.6.1 Messages

The following table summarizes the set of WSDL message definitions that are specific to this operation.

Message	Description
<b>IBIMonitoringServiceApplication_GetDrillThroughPreview_InputMessage</b>	The request WSDL message for the <b>GetDrillThroughPreview</b> WSDL operation.
<b>IBIMonitoringServiceApplication_GetDrillThroughPreview_OutputMessage</b>	The response WSDL message for the <b>GetDrillThroughPreview</b> WSDL operation.

#### 3.1.4.6.1.1 IBIMonitoringServiceApplication\_GetDrillThroughPreview\_InputMessage

The request WSDL message for the **GetDrillThroughPreview** WSDL operation.

The SOAP action value is:

```

http://www.microsoft.com/performancepoint/scorecards/IBIMonitoringServiceApplication/GetDrill
ThroughPreview

```

The SOAP body contains the **GetDrillThroughPreview** element.

#### 3.1.4.6.1.2 IBIMonitoringServiceApplication\_GetDrillThroughPreview\_OutputMessage

The response WSDL message for the **GetDrillThroughPreview** WSDL operation.

The SOAP body contains the **GetDrillThroughPreviewResponse** element.

### 3.1.4.6.2 Elements

The following table summarizes the XML schema element definitions that are specific to this operation.

Element	Description
<b>GetDrillThroughPreview</b>	The input data for the <b>GetDrillThroughPreview</b> WSDL operation.
<b>GetDrillThroughPreviewResponse</b>	The result data for the <b>GetDrillThroughPreview</b> WSDL operation.

### 3.1.4.6.2.1 GetDrillThroughPreview

The **GetDrillThroughPreview** element specifies the input data for the **GetDrillThroughPreview** WSDL operation.

```
<xs:element name="GetDrillThroughPreview" xmlns:xs="http://www.w3.org/2001/XMLSchema">
  <xs:complexType>
    <xs:sequence>
      <xs:element minOccurs="0" maxOccurs="1" name="fcoLocation"
type="tns:RepositoryLocation"/>
      <xs:element minOccurs="0" maxOccurs="1" name="isScorecard" type="xs:string"/>
      <xs:element minOccurs="0" maxOccurs="1" name="page" type="xs:string"/>
      <xs:element minOccurs="0" maxOccurs="1" name="tupleXml" type="xs:string"/>
      <xs:element minOccurs="0" maxOccurs="1" name="resultTableIndex" type="xs:string"/>
      <xs:element minOccurs="0" maxOccurs="1" name="isAccessibleMode" type="xs:string"/>
    </xs:sequence>
  </xs:complexType>
</xs:element>
```

**fcoLocation:** The location of the report on the protocol server as specified by **RepositoryLocation** (specified in [\[MS-PPSAS\]](#) section 2.2.4.161). This element **MUST** be present.

**isScorecard:** If "true", specifies that the request originated from a scorecard view.

**page:** This value can specify one of three things.

1. It can be set to a value specifying which page of data to return with the results. For example, a value of "1" returns the first page of data.
2. It can be set to a value of "0", which returns all of the data.
3. It can be set to "Excel" which exports the data to the format as specified in [\[MS-XLSX\]](#). If set to "Excel" the result elements of *officeDocumentBytes* and *documentFileName* return with the exported results.

This element **MUST NOT** be NULL and **MUST NOT** be empty.

**tupleXml:** Specifies named filters to be applied to the results. This value **MUST** contain a **\_\_dd** complex type object (section [3.1.4.6.3.1](#)) serialized as an XML string.

**resultTableIndex:** Could be empty. If empty, this value is ignored. If not empty, this value indicates that this operation is being used to retrieve a drill through cell level action. This value is zero based and specifies the index of the drill through action associated with this cell. For example, a value of "0" returns the first drill through cell level action.

**isAccessibleMode:** Indicates whether the client is in accessibility mode.

### 3.1.4.6.2.2 GetDrillThroughPreviewResponse



The **GetDrillThroughPreviewResponse** element specifies the result data for the **GetDrillThroughPreview** WSDL operation.

```
<xs:element name="GetDrillThroughPreviewResponse"
xmlns:xs="http://www.w3.org/2001/XMLSchema">
  <xs:complexType>
    <xs:sequence>
      <xs:element minOccurs="0" maxOccurs="1" name="GetDrillThroughPreviewResult"
type="xs:string"/>
      <xs:element minOccurs="0" maxOccurs="1" name="title" type="xs:string"/>
      <xs:element minOccurs="0" maxOccurs="1" name="officeDocumentBytes"
type="xs:base64Binary"/>
      <xs:element minOccurs="0" maxOccurs="1" name="documentFileName" type="xs:string"/>
    </xs:sequence>
  </xs:complexType>
</xs:element>
```

**GetDrillThroughPreviewResult:** The HTML (as specified by [HTML](#)) content to be rendered on the client.

**title:** If the *page* element is NOT set to "Excel", this value is a brief description of the query to be used as a title. If the *page* element is set to "Excel", this value is empty.

**officeDocumentBytes:** If the *page* element is set to "Excel", this value contains results in the format specified in [MS-XLSX](#). If the *page* element is not set to "Excel", this value is empty.

**documentFileName:** If the *page* element is set to "Excel", this value contains the name of the formatted file as specified in [MS-XLSX](#). If the *page* element is not set to "Excel", this value is null.

### 3.1.4.6.3 Complex Types

The following table summarizes the XML schema complex type definitions that are specific to this operation.

Complex type	Description
<b>_dd</b>	Specifies the <b>tupleXML</b> filter string to be used in a <b>GetDrillThroughPreview</b> operation.

#### 3.1.4.6.3.1 **\_dd**

**Namespace:** <http://www.microsoft.com/performancepoint/scorecards>

The **\_dd** complex type specifies the **tupleXML** filter string argument to be used in a **GetDrillThroughPreview** operation. [<10>](#)

```
<xs:complexType name="_dd" xmlns:xs="http://www.w3.org/2001/XMLSchema">
  <xs:sequence>
    <xs:element minOccurs="1" maxOccurs="1" name="RowMembers">
      <xs:complexType>
        <xs:sequence>
          <xs:element minOccurs="0" maxOccurs="unbounded" name="Row">
            <xs:complexType>
              <xs:attribute name="name" type="xs:string" use="required"/>
              <xs:attribute name="caption" type="xs:string" use="required"/>
            </xs:complexType>
          </xs:element>
        </xs:sequence>
      </xs:complexType>
    </xs:element>
  </xs:sequence>
</xs:complexType>
```

```

<xs:element minOccurs="1" maxOccurs="1" name="ColumnMembers">
  <xs:complexType>
    <xs:sequence>
      <xs:element minOccurs="0" maxOccurs="unbounded" name="Column">
        <xs:complexType>
          <xs:attribute name="name" type="xs:string" use="required"/>
          <xs:attribute name="caption" type="xs:string" use="required"/>
        </xs:complexType>
      </xs:element>
    </xs:sequence>
  </xs:complexType>
</xs:element>
<xs:element minOccurs="1" maxOccurs="1" name="BackgroundMembers">
  <xs:complexType>
    <xs:sequence>
      <xs:element minOccurs="0" maxOccurs="unbounded" name="Filter">
        <xs:complexType>
          <xs:attribute name="name" type="xs:string" use="required"/>
          <xs:attribute name="caption" type="xs:string" use="required"/>
        </xs:complexType>
      </xs:element>
    </xs:sequence>
  </xs:complexType>
</xs:element>
</xs:sequence>
</xs:complexType>

```

**RowMembers:** Specifies an array of row filters to be applied to the results. This element MUST be present and MUST contain 1 or more **RowMembers.Row** child elements.

**RowMembers.Row:** Specifies a **member** in a **dimension** that MUST be used as a filter on the row axis when performing the drill through operation.

**RowMembers.Row.name:** Specifies the unique name of the member (3) that MUST be used. This element MUST be present and MUST NOT be null.

**RowMembers.Row.caption:** Specifies the caption of the member that MUST be used. This element MUST be present and MUST NOT be null.

**ColumnMembers:** Specifies an array of column filters to be applied to the results. This element MUST be present and MUST contain 1 or more **ColumnMembers.Column** child elements.

**ColumnMembers.Column:** Specifies a member in a dimension that MUST be used as a filter on the column axis when performing the drill through operation.

**ColumnMembers.Column.name:** Specifies the unique name of the member that MUST be used. This element MUST be present and MUST NOT be null.

**ColumnMembers.Column.caption:** Specifies the caption of the member that MUST be used. This element MUST be present and MUST NOT be null.

**BackgroundMembers:** Specifies an array of background filters to be applied to the results. This element MUST be present and MUST contain 1 or more **BackgroundMembers.Filter** child elements.

**BackgroundMembers.Filter:** Specifies a member in a dimension that MUST be used as a filter on the background axis when performing the drill through operation.

**BackgroundMembers.Filter.name:** Specifies the unique name of the member that MUST be used. This element MUST be present and MUST NOT be null.

**BackgroundMembers.Filter.caption:** Specifies the caption of the member that MUST be used. This element MUST be present and MUST NOT be null.

### 3.1.4.6.4 Simple Types

None.

### 3.1.4.6.5 Attributes

None.

### 3.1.4.6.6 Groups

None.

### 3.1.4.6.7 Attribute Groups

None.

### 3.1.4.7 GetFilterDependencies

The **GetFilterDependencies** operation retrieves the required external dependencies for rendering a filter.

```
<wsdl:operation name="GetFilterDependencies" xmlns:wsdl="http://schemas.xmlsoap.org/wsdl/">
  <wsdl:input
    wsam:Action="http://www.microsoft.com/performancepoint/scorecards/IBIMonitoringServiceApplication/GetFilterDependencies"
    message="tns:IBIMonitoringServiceApplication_GetFilterDependencies_InputMessage"
    xmlns:wsam="http://www.w3.org/2007/05/addressing/metadata"/>
  <wsdl:output
    wsam:Action="http://www.microsoft.com/performancepoint/scorecards/IBIMonitoringServiceApplication/GetFilterDependenciesResponse"
    message="tns:IBIMonitoringServiceApplication_GetFilterDependencies_OutputMessage"
    xmlns:wsam="http://www.w3.org/2007/05/addressing/metadata"/>
  <wsdl:fault
    wsam:Action="http://www.microsoft.com/performancepoint/scorecards/IBIMonitoringServiceApplication/GetFilterDependenciesBpmExceptionFault" name="BpmExceptionFault"
    message="tns:IBIMonitoringServiceApplication_GetFilterDependencies_BpmExceptionFault_FaultMessage" xmlns:wsam="http://www.w3.org/2007/05/addressing/metadata"/>
</wsdl:operation>
```

The protocol client sends an **IBIMonitoringServiceApplication\_GetFilterDependencies\_InputMessage** request message (section [3.1.4.7.1.1](#)) and the protocol server responds with an **IBIMonitoringServiceApplication\_GetFilterDependencies\_OutputMessage** response message (section [3.1.4.7.1.2](#)) as follows:

1. The protocol client sends a **RepositoryLocation** referencing the **Filter** (specified in [\[MS-PPSAS\]](#) section 2.2.4.98) for which to retrieve the rendering dependencies.
2. The protocol server responds with a **ResourceDependencies** (section [2.2.4.16](#)) containing the resources needed for rendering.
3. If an error occurs, the protocol server MUST return a **FaultException** response as detailed in section [2.2.2.1](#).

#### Exceptions:

ErrorCode	Description
CreateReturnedNull	See section <a href="#">2.2.2.1.3</a> for the common list of error codes.

ErrorCode	Description
NotAParameterizableControl	See section 2.2.2.1.3 for the common list of error codes.

In case of any other failure, the **ErrorCode** MUST be one of the values specified in section [2.2.2.1.2](#). For a detailed specification of how exceptions are reported by the protocol server, see section 2.2.2.1

### 3.1.4.7.1 Messages

The following table summarizes the set of WSDL message definitions that are specific to this operation.

Message	Description
<b>IBIMonitoringServiceApplication_GetFilterDependencies_InputMessage</b>	The request WSDL message for the <b>GetFilterDependencies</b> WSDL operation.
<b>IBIMonitoringServiceApplication_GetFilterDependencies_OutputMessage</b>	The response WSDL message for the <b>GetFilterDependencies</b> WSDL operation.

#### 3.1.4.7.1.1 IBIMonitoringServiceApplication\_GetFilterDependencies\_InputMessage

The request WSDL message for the **GetFilterDependencies** WSDL operation.

The SOAP action value is:

`http://www.microsoft.com/performancepoint/scorecards/IBIMonitoringServiceApplication/GetFilterDependencies`

The SOAP body contains the **GetFilterDependencies** element.

#### 3.1.4.7.1.2 IBIMonitoringServiceApplication\_GetFilterDependencies\_OutputMessage

The response WSDL message for the **GetFilterDependencies** WSDL operation.

The SOAP body contains the **GetFilterDependenciesResponse** element.

### 3.1.4.7.2 Elements

The following table summarizes the XML schema element definitions that are specific to this operation.

Element	Description
<b>GetFilterDependencies</b>	The input data for the <b>GetFilterDependencies</b> WSDL operation.
<b>GetFilterDependenciesResponse</b>	The result data for the <b>GetFilterDependencies</b> WSDL operation.

#### 3.1.4.7.2.1 GetFilterDependencies

The **GetFilterDependencies** element specifies the input data for the **GetFilterDependencies** WSDL operation.

```
<xs:element name="GetFilterDependencies" xmlns:xs="http://www.w3.org/2001/XMLSchema">
  <xs:complexType>
    <xs:sequence>
      <xs:element minOccurs="0" maxOccurs="1" name="filterLocation"
type="tns:RepositoryLocation"/>
    </xs:sequence>
  </xs:complexType>
</xs:element>
```

**filterLocation:** The location of the **Filter** on the protocol server as specified by **RepositoryLocation** (specified in [\[MS-PPSAS\]](#) section 2.2.4.161). This element MUST be present, and the **ItemUrl** property of this element MUST NOT be empty.

### 3.1.4.7.2.2 GetFilterDependenciesResponse

The **GetFilterDependenciesResponse** element specifies the result data for the **GetFilterDependencies** WSDL operation.

```
<xs:element name="GetFilterDependenciesResponse" xmlns:xs="http://www.w3.org/2001/XMLSchema">
  <xs:complexType>
    <xs:sequence>
      <xs:element minOccurs="0" maxOccurs="1" name="GetFilterDependenciesResult"
type="tns:ResourceDependencies"/>
    </xs:sequence>
  </xs:complexType>
</xs:element>
```

**GetFilterDependenciesResult:** The resources that are needed for rendering as specified by **ResourceDependencies** (section [2.2.4.16](#)).

### 3.1.4.7.3 Complex Types

None.

### 3.1.4.7.4 Simple Types

None.

### 3.1.4.7.5 Attributes

None.

### 3.1.4.7.6 Groups

None.

### 3.1.4.7.7 Attribute Groups

None.

### 3.1.4.8 GetFilterDisplayData

The **GetFilterDisplayData** operation retrieves a data table of filter display data from the protocol server.

```

<wsdl:operation name="GetFilterDisplayData" xmlns:wsdl="http://schemas.xmlsoap.org/wsdl/">
  <wsdl:input
    wsam:Action="http://www.microsoft.com/performancepoint/scorecards/IBIMonitoringServiceApplication/GetFilterDisplayData"
    message="tns:IBIMonitoringServiceApplication_GetFilterDisplayData_InputMessage"
    xmlns:wsam="http://www.w3.org/2007/05/addressing/metadata"/>
  <wsdl:output
    wsam:Action="http://www.microsoft.com/performancepoint/scorecards/IBIMonitoringServiceApplication/GetFilterDisplayDataResponse"
    message="tns:IBIMonitoringServiceApplication_GetFilterDisplayData_OutputMessage"
    xmlns:wsam="http://www.w3.org/2007/05/addressing/metadata"/>
  <wsdl:fault
    wsam:Action="http://www.microsoft.com/performancepoint/scorecards/IBIMonitoringServiceApplication/GetFilterDisplayDataBpmExceptionFault" name="BpmExceptionFault"
    message="tns:IBIMonitoringServiceApplication_GetFilterDisplayData_BpmExceptionFault_FaultMessage" xmlns:wsam="http://www.w3.org/2007/05/addressing/metadata"/>
</wsdl:operation>

```

The protocol client sends an **IBIMonitoringServiceApplication\_GetFilterDisplayData\_InputMessage** request message (section [3.1.4.8.1.1](#)) and the protocol server responds with an **IBIMonitoringServiceApplication\_GetFilterDisplayData\_OutputMessage** response message (section [3.1.4.8.1.2](#)) as follows:

1. The protocol server receives the input data for a **GetFilterDisplayData** WSDL operation as specified in section [3.1.4.8.2.1](#).
2. The protocol server creates the **DataTable** (as described in [DataTable]) using the **Filter** ([MS-PPSAS] section 2.2.4.98) **DataSource** and **SubTypeId** referenced by **filterLocation**, and the **GridViewData** ([MS-PPSAS] section 2.2.4.121) referenced by **customData**.

#### Exceptions:

Error Code	Description
FCOReadFailed	See section <a href="#">2.2.2.1.3</a> for the common list of error codes.
FCOReadFailedListAccess	See section <a href="#">2.2.2.1.3</a> for the common list of error codes.

In case of any other failure, the **ErrorCode** MUST be one of the values specified in section [2.2.2.1.2](#). For a detailed specification of how exceptions are reported by the protocol server, see section [2.2.2.1](#).

#### 3.1.4.8.1 Messages

The following table summarizes the set of WSDL message definitions that are specific to this operation.

Message	Description
<b>IBIMonitoringServiceApplication_GetFilterDisplayData_InputMessage</b>	The request WSDL message for the <b>GetFilterDisplayData</b> WSDL operation.
<b>IBIMonitoringServiceApplication_GetFilterDisplayData_OutputMessage</b>	The response WSDL message for the <b>GetFilterDisplayData</b> WSDL operation.

### 3.1.4.8.1.1 IBIMonitoringServiceApplication\_GetFilterDisplayData\_InputMessage

The request WSDL message for the **GetFilterDisplayData** WSDL operation.

The SOAP action value is:

```
http://www.microsoft.com/performancepoint/scorecards/IBIMonitoringServiceApplication/GetFilterDisplayData
```

The SOAP body contains the **GetFilterDisplayData** element.

### 3.1.4.8.1.2 IBIMonitoringServiceApplication\_GetFilterDisplayData\_OutputMessage

The response WSDL message for the **GetFilterDisplayData** WSDL operation.

The SOAP body contains the **GetFilterDisplayDataResponse** element.

### 3.1.4.8.2 Elements

The following table summarizes the XML schema element definitions that are specific to this operation.

Element	Description
<b>GetFilterDisplayData</b>	The input data for the <b>GetFilterDisplayData</b> WSDL operation.
<b>GetFilterDisplayDataResponse</b>	The result data for the <b>GetFilterDisplayData</b> WSDL operation.

#### 3.1.4.8.2.1 GetFilterDisplayData

The **GetFilterDisplayData** element specifies the input data for the **GetFilterDisplayData** WSDL operation.

```
<xs:element name="GetFilterDisplayData" xmlns:xs="http://www.w3.org/2001/XMLSchema">
  <xs:complexType>
    <xs:sequence>
      <xs:element minOccurs="0" maxOccurs="1" name="filterLocation"
type="tns:RepositoryLocation"/>
      <xs:element minOccurs="0" maxOccurs="1" name="parameterDefinition"
type="tns:ParameterDefinition"/>
      <xs:element minOccurs="0" maxOccurs="1" name="selections" type="tns:ArrayOfString"/>
      <xs:element minOccurs="1" maxOccurs="1" name="useSavedUserSelections"
type="xs:boolean"/>
      <xs:element minOccurs="1" maxOccurs="1" name="selectionsOnly" type="xs:boolean"/>
      <xs:element minOccurs="0" maxOccurs="1" name="webPartContext"
type="tns:WebPartContext"/>
    </xs:sequence>
  </xs:complexType>
</xs:element>
```

**filterLocation:** A **RepositoryLocation** as specified in [\[MS-PPSAS\]](#) section 2.2.4.161. This element MUST be present and contain the location of a **Filter**.

**parameterDefinition:** Specifies the **ParameterDefinition** as specified in [\[MS-PPSAS\]](#) section 2.2.4.155. The element MUST not be null and the property **ParameterProviderId** MUST refer to one of the **Filter** parameter data providers registered on the server.

**selections:** A List of the current user selections. This value is optional and has a default value of null.

**useSavedUserSelections:** If **selections** is empty, this **Boolean** value specifies whether saved user selections MUST be returned.

**selectionsOnly:** A Boolean value that specifies whether display data MUST be returned solely for **selections**.

**webPartContext:** Specifies the current context of the Web Part, as defined in **WebPartContext** (section [2.2.4.20](#)).

### 3.1.4.8.2.2 GetFilterDisplayDataResponse

The **GetFilterDisplayDataResponse** element specifies the result data for the **GetFilterDisplayData** WSDL operation.

```
<xs:element name="GetFilterDisplayDataResponse" xmlns:xs="http://www.w3.org/2001/XMLSchema">
  <xs:complexType>
    <xs:sequence>
      <xs:element minOccurs="0" maxOccurs="1" name="GetFilterDisplayDataResult">
        <xs:complexType>
          <xs:sequence>
            <xs:any minOccurs="0" maxOccurs="unbounded"
              namespace="http://www.w3.org/2001/XMLSchema" processContents="lax"/>
            <xs:any minOccurs="1" namespace="urn:schemas-microsoft-com:xml-diffgram-v1"
              processContents="lax"/>
          </xs:sequence>
        </xs:complexType>
      </xs:element>
    </xs:sequence>
  </xs:complexType>
</xs:element>
```

**GetFilterDisplayDataResult:** Specifies the contents of a **DataTable** object (as described in [DataTable]) representing the requested Filter display data containing all the columns produced by the specific Filter parameter type.

### 3.1.4.8.3 Complex Types

None.

### 3.1.4.8.4 Simple Types

None.

### 3.1.4.8.5 Attributes

None.

### 3.1.4.8.6 Groups

None.

### 3.1.4.8.7 Attribute Groups

None.

### 3.1.4.9 GetParameterMessageData

The **GetParameterMessageData** operation retrieves a **DataTable** (as described in [DataTable]) containing all of the selected values of a parameter.



```

<wsdl:operation name="GetParameterMessageData" xmlns:wsdl="http://schemas.xmlsoap.org/wsdl/">
  <wsdl:input
wsam:Action="http://www.microsoft.com/performancepoint/scorecards/IBIMonitoringServiceApplication/GetParameterMessageData"
message="tns:IBIMonitoringServiceApplication_GetParameterMessageData_InputMessage"
xmlns:wsam="http://www.w3.org/2007/05/addressing/metadata"/>
  <wsdl:output
wsam:Action="http://www.microsoft.com/performancepoint/scorecards/IBIMonitoringServiceApplication/GetParameterMessageDataResponse"
message="tns:IBIMonitoringServiceApplication_GetParameterMessageData_OutputMessage"
xmlns:wsam="http://www.w3.org/2007/05/addressing/metadata"/>
  <wsdl:fault
wsam:Action="http://www.microsoft.com/performancepoint/scorecards/IBIMonitoringServiceApplication/GetParameterMessageDataBpmExceptionFault" name="BpmExceptionFault"
message="tns:IBIMonitoringServiceApplication_GetParameterMessageData_BpmExceptionFault_FaultMessage" xmlns:wsam="http://www.w3.org/2007/05/addressing/metadata"/>
</wsdl:operation>

```

The protocol client sends an **IBIMonitoringServiceApplication\_GetParameterMessageData\_InputMessage** request message (section [3.1.4.9.1.1](#)) and the protocol server responds with an **IBIMonitoringServiceApplication\_GetParameterMessageData\_OutputMessage** response message (section [3.1.4.9.1.2](#)) as follows:

1. The protocol server receives the input data for a **GetParameterMessageData** WSDL operation as specified in section [3.1.4.9.2.1](#).
2. The protocol server creates a **DataTable** that contains the columns specified by the parameter type and a row for each selection of the parameter.

#### Exceptions:

ErrorCode	Description
DataSourceConnectionFailed	See section <a href="#">2.2.2.1.3</a> for the common list of error codes.
FCOReadFailed	See section <a href="#">2.2.2.1.3</a> for the common list of error codes.
FCOReadFailedListAccess	See section <a href="#">2.2.2.1.3</a> for the common list of error codes.
InvalidPermission	See section <a href="#">2.2.2.1.3</a> for the common list of error codes.
InvalidPostFormula	See section <a href="#">2.2.2.1.3</a> for the common list of error codes.
OperationContextNull	See section <a href="#">2.2.2.1.3</a> for the common list of error codes.
ParameterDataProviderNotRegistered	See section <a href="#">2.2.2.1.3</a> for the common list of error codes.
PostFormulaResultEmpty	See section <a href="#">2.2.2.1.3</a> for the common list of error codes.
Unknown	See section <a href="#">2.2.2.1.3</a> for the common list of error codes.

In case of any other failure, the **ErrorCode** MUST be one of the values specified in section [2.2.2.1.2](#). For a detailed specification of how exceptions are reported by the protocol server, see section [2.2.2.1](#).

### 3.1.4.9.1 Messages

The following table summarizes the set of WSDL message definitions that are specific to this operation.

Message	Description
<b>IBIMonitoringServiceApplication_GetParameterMessageData_InputMessage</b>	The request WSDL message for the <b>GetParameterMessageData</b> WSDL operation.
<b>IBIMonitoringServiceApplication_GetParameterMessageData_OutputMessage</b>	The response WSDL message for the <b>GetParameterMessageData</b> WSDL operation.

### 3.1.4.9.1.1 IBIMonitoringServiceApplication\_GetParameterMessageData\_InputMessage

The request WSDL message for the **GetParameterMessageData** WSDL operation.

The SOAP action value is:

```
http://www.microsoft.com/performancepoint/scorecards/IBIMonitoringServiceApplication/GetParameterMessageData
```

The SOAP body contains the **GetParameterMessageData** element.

### 3.1.4.9.1.2 IBIMonitoringServiceApplication\_GetParameterMessageData\_OutputMessage

The response WSDL message for the **GetParameterMessageData** WSDL operation.

The SOAP body contains the **GetParameterMessageDataResponse** element.

### 3.1.4.9.2 Elements

The following table summarizes the XML schema element definitions that are specific to this operation.

Element	Description
<b>GetParameterMessageData</b>	The input data for the <b>GetParameterMessageData</b> WSDL operation.
<b>GetParameterMessageDataResponse</b>	The result data for the <b>GetParameterMessageData</b> WSDL operation.

#### 3.1.4.9.2.1 GetParameterMessageData

The **GetParameterMessageData** element specifies the input data for the **GetParameterMessageData** WSDL operation.

```
<xs:element name="GetParameterMessageData" xmlns:xs="http://www.w3.org/2001/XMLSchema">
  <xs:complexType>
    <xs:sequence>
      <xs:element minOccurs="0" name="providerLocation" nillable="true"
        type="tns:RepositoryLocation"/>
    </xs:sequence>
  </xs:complexType>
</xs:element>
```

```

<xs:element
  xmlns:q1="http://schemas.datacontract.org/2004/07/Microsoft.PerformancePoint.Scorecards"
  minOccurs="0" name="parameterMessage" nillable="true" type="q1:ParameterMessage"/>
  <xs:element minOccurs="0" name="parameterSourceLocation" nillable="true"
  type="tns:RepositoryLocation"/>
  <xs:element
  xmlns:q1="http://schemas.datacontract.org/2004/07/Microsoft.PerformancePoint.Scorecards"
  minOccurs="0" name="parameterMapping" nillable="true" type="q1:ParameterMapping"/>
  <xs:element
  xmlns:q1="http://schemas.datacontract.org/2004/07/Microsoft.PerformancePoint.Scorecards"
  minOccurs="0" name="webPartContext" nillable="true" type="q1:WebPartContext"/>
</xs:sequence>
</xs:complexType>
</xs:element>

```

**providerLocation:** The parameter provider's location as specified in [\[MS-PPSAS\]](#) section 2.2.4.164.

**parameterMessage:** The parameter message as specified by **ParameterMessage** (section [2.2.4.14](#)). The value MUST NOT be null.

**parameterSourceLocation:** The parameter provider's **DataSource** location as specified in [\[MS-PPSAS\]](#) section 2.2.4.164.

**parameterMapping:** The mapping between the parameter and the consumer Web Part is specified by **ParameterMapping** ([\[MS-PPSAS\]](#) section 2.2.4.156).

**webPartContext:** Specifies the current content of the Web Part, as defined in **WebPartContext** (section [2.2.4.20](#)).

### 3.1.4.9.2.2 GetParameterMessageDataResponse

The **GetParameterMessageDataResponse** element specifies the result data for the **GetParameterMessageData** WSDL operation.

```

<xs:element name="GetParameterMessageDataResponse"
  xmlns:xs="http://www.w3.org/2001/XMLSchema">
  <xs:complexType>
    <xs:sequence>
      <xs:element minOccurs="0" name="GetParameterMessageDataResult" nillable="true">
        <xs:complexType>
          <xs:sequence>
            <xs:any minOccurs="0" maxOccurs="unbounded"
              namespace="http://www.w3.org/2001/XMLSchema" processContents="lax"/>
            <xs:any minOccurs="1" namespace="urn:schemas-microsoft-com:xml-diffgram-v1"
              processContents="lax"/>
          </xs:sequence>
        </xs:complexType>
      </xs:element>
    </xs:sequence>
  </xs:complexType>
</xs:element>

```

**GetParameterMessageDataResult:** Specifies a **DataTable** (as described in [\[DataTable\]](#)) containing all of the selected values of a parameter.

### 3.1.4.9.3 Complex Types

None.

### 3.1.4.9.4 Simple Types

None.

### 3.1.4.9.5 Attributes

None.

### 3.1.4.9.6 Groups

None.

### 3.1.4.9.7 Attribute Groups

None.

## 3.1.4.10 GetRemainingParameterDisplayData

The **GetRemainingParameterDisplayData** operation [<11>](#) retrieves an object of type **ParameterGetRemainingResultRecord** (section [3.1.4.10.3.1](#)) that contains the filter's display data values beyond the limit setting imposed by the protocol server. The limit setting is specified by the **TreeViewControlMaxNumRecordsToRender** key in **Settings** (section [2.2.4.18](#)).

```
<wsdl:operation name="GetRemainingParameterDisplayData"
xmlns:wsdl="http://schemas.xmlsoap.org/wsdl/">
  <wsdl:input
wsam:Action="http://www.microsoft.com/performancepoint/scorecards/IBIMonitoringServiceApplication/GetRemainingParameterDisplayData"
message="tns:IBIMonitoringServiceApplication_GetRemainingParameterDisplayData_InputMessage"
xmlns:wsam="http://www.w3.org/2007/05/addressing/metadata"/>
  <wsdl:output
wsam:Action="http://www.microsoft.com/performancepoint/scorecards/IBIMonitoringServiceApplication/GetRemainingParameterDisplayDataResponse"
message="tns:IBIMonitoringServiceApplication_GetRemainingParameterDisplayData_OutputMessage"
xmlns:wsam="http://www.w3.org/2007/05/addressing/metadata"/>
  <wsdl:fault
wsam:Action="http://www.microsoft.com/performancepoint/scorecards/IBIMonitoringServiceApplication/GetRemainingParameterDisplayDataBpmExceptionFault" name="BpmExceptionFault"
message="tns:IBIMonitoringServiceApplication_GetRemainingParameterDisplayData_BpmExceptionFault_FaultMessage" xmlns:wsam="http://www.w3.org/2007/05/addressing/metadata"/>
</wsdl:operation>
```

The protocol client sends an **IBIMonitoringServiceApplication\_GetRemainingParameterDisplayData\_InputMessage** (section [3.1.4.10.1.1](#)) request message and the protocol server responds with an **IBIMonitoringServiceApplication\_GetRemainingParameterDisplayData\_OutputMessage** (section [3.1.4.10.1.2](#)) message as follows:

1. The protocol server receives the input data for a **GetRemainingParameterDisplayData** WSDL operation as specified in section [3.1.4.10.2.1](#).
2. The protocol server creates the **ParameterGetRemainingResultRecord** (section [3.1.4.10.3.1](#)) using the **Filter** ([\[MS-PPSAS\]](#) section [2.2.4.98](#)) **DataSource** and **SubTypeId** referenced by **parameterLocation** (section [3.1.4.10.2.1](#)), and the **WebPartContext** (section [2.2.4.18](#)) referenced by **webPartContext** (section [3.1.4.10.2.1](#)).

### Exceptions:

ErrorCode	Description
FCOReadFailed	See section <a href="#">2.2.2.1.3</a> for the common list of error codes.

ErrorCode	Description
FCORedFailedListAccess	See section 2.2.2.1.3 for the common list of error codes.

In case of any other failure, the **ErrorCode** MUST be one of the values specified in section [2.2.2.1.2](#). For a detailed specification of how exceptions are reported by the protocol server, see section [2.2.2.1](#).

### 3.1.4.10.1 Messages

The following table summarizes the set of WSDL message definitions that are specific to this operation.

Message	Description
<b>IBIMonitoringServiceApplication_GetRemainingParameterDisplayData_InputMessage</b>	The request WSDL message for the <b>GetRemainingParameterDisplayData</b> WSDL operation.
<b>IBIMonitoringServiceApplication_GetRemainingParameterDisplayData_OutputMessage</b>	The response WSDL message for the <b>GetRemainingParameterDisplayData</b> WSDL operation.

#### 3.1.4.10.1.1 IBIMonitoringServiceApplication\_GetRemainingParameterDisplayData\_InputMessage

The request WSDL message for the **GetRemainingParameterDisplayData** WSDL operation.

The SOAP action value is:

```
http://www.microsoft.com/performancepoint/scorecards/IBIMonitoringServiceApplication/GetRemainingParameterDisplayData
```

The SOAP body contains the **GetRemainingParameterDisplayData** element.

#### 3.1.4.10.1.2 IBIMonitoringServiceApplication\_GetRemainingParameterDisplayData\_OutputMessage

The response WSDL message for the **GetRemainingParameterDisplayData** WSDL operation.

The SOAP body contains the **GetRemainingParameterDisplayDataResponse** element.

### 3.1.4.10.2 Elements

The following table summarizes the XML schema element definitions that are specific to this operation.

Element	Description
<b>GetRemainingParameterDisplayData</b>	The input data for the <b>GetRemainingParameterDisplayData</b> WSDL operation.
<b>GetRemainingParameterDisplayDataResponse</b>	The result data for the <b>GetRemainingParameterDisplayData</b> WSDL operation.

### 3.1.4.10.2.1 GetRemainingParameterDisplayData

The **GetRemainingParameterDisplayData** element specifies the input data for the **GetRemainingParameterDisplayData** WSDL operation.

```
<xs:element name="GetRemainingParameterDisplayData"
  xmlns:xs="http://www.w3.org/2001/XMLSchema">
  <xs:complexType>
    <xs:sequence>
      <xs:element minOccurs="0" name="parameterLocation" nillable="true"
        type="tns:RepositoryLocation"/>
      <xs:element
        xmlns:q1="http://schemas.datacontract.org/2004/07/Microsoft.PerformancePoint.Scorecards"
        minOccurs="0" name="webPartContext" nillable="true" type="q1:WebPartContext"/>
    </xs:sequence>
  </xs:complexType>
</xs:element>
```

**parameterLocation:** The parameter provider's location as specified in [\[MS-PPSAS\]](#) section 2.2.4.142.

**webPartContext:** The current context of a Web Part, as defined in **WebPartContext** (section [2.2.4.20](#)).

### 3.1.4.10.2.2 GetRemainingParameterDisplayDataResponse

The **GetRemainingParameterDisplayDataResponse** element specifies the result data for the **GetRemainingParameterDisplayData** WSDL operation.

```
<xs:element name="GetRemainingParameterDisplayDataResponse"
  xmlns:xs="http://www.w3.org/2001/XMLSchema">
  <xs:complexType>
    <xs:sequence>
      <xs:element
        xmlns:q1="http://schemas.datacontract.org/2004/07/Microsoft.PerformancePoint.Scorecards.ServerCommon"
        minOccurs="0" name="GetRemainingParameterDisplayDataResult" nillable="true"
        type="q1:ParameterGetRemainingResultRecord"/>
    </xs:sequence>
  </xs:complexType>
</xs:element>
```

**GetRemainingParameterDisplayDataResult:** A **ParameterGetRemainingResultRecord** value (section [3.1.4.10.3.1](#)).

### 3.1.4.10.3 Complex Types

The following table summarizes the XML schema complex type definitions that are specific to this operation.

Complex type	Description
<b>ParameterGetRemainingResultRecord</b>	The <b>ParameterGetRemainingResultRecord</b> complex type contains a string which represents an array of filter's display data values.

#### 3.1.4.10.3.1 ParameterGetRemainingResultRecord

**Namespace:**

<http://schemas.datacontract.org/2004/07/Microsoft.PerformancePoint.Scorecards.ServerCommon>

The **ParameterGetRemainingResultRecord** complex type contains a string which represents an array of filter's display data values.

```
<xs:complexType name="ParameterGetRemainingResultRecord"
  xmlns:xs="http://www.w3.org/2001/XMLSchema">
  <xs:sequence>
    <xs:element name="_members" nillable="true" type="xs:string"/>
  </xs:sequence>
</xs:complexType>
```

**\_members:** A JSON (as specified in [RFC4627](#)) serialized string specifying an array of objects that represent the member nodes displayed by the tree view control.

### 3.1.4.10.4 Simple Types

None.

### 3.1.4.10.5 Attributes

None.

### 3.1.4.10.6 Groups

None.

### 3.1.4.10.7 Attribute Groups

None.

### 3.1.4.11 GetRemainingSearchResults

The **GetRemainingSearchResults** operation [<12>](#) retrieves an object of type **ParameterSearchResultRecord** (section [2.2.4.15](#)) which contains the search result values beyond the limit setting imposed by the protocol server. The limit setting is specified by the **TreeViewControlMaxNumRecordsToRender** key in **Settings** (section [2.2.4.18](#)).

```
<wsdl:operation name="GetRemainingSearchResults"
  xmlns:wsdl="http://schemas.xmlsoap.org/wsdl/">
  <wsdl:input
    wsam:Action="http://www.microsoft.com/performancepoint/scorecards/IBIMonitoringServiceApplication/GetRemainingSearchResults"
    message="tns:IBIMonitoringServiceApplication_GetRemainingSearchResults_InputMessage"
    xmlns:wsam="http://www.w3.org/2007/05/addressing/metadata"/>
  <wsdl:output
    wsam:Action="http://www.microsoft.com/performancepoint/scorecards/IBIMonitoringServiceApplication/GetRemainingSearchResultsResponse"
    message="tns:IBIMonitoringServiceApplication_GetRemainingSearchResults_OutputMessage"
    xmlns:wsam="http://www.w3.org/2007/05/addressing/metadata"/>
  <wsdl:fault
    wsam:Action="http://www.microsoft.com/performancepoint/scorecards/IBIMonitoringServiceApplication/GetRemainingSearchResultsBpmExceptionFault" name="BpmExceptionFault"
    message="tns:IBIMonitoringServiceApplication_GetRemainingSearchResults_BpmExceptionFault_FaultMessage"
    xmlns:wsam="http://www.w3.org/2007/05/addressing/metadata"/>
</wsdl:operation>
```

The protocol client sends an **IBIMonitoringServiceApplication\_GetRemainingSearchResults\_InputMessage** (section [3.1.4.11.1.1](#)) request message and the protocol server responds with an **IBIMonitoringServiceApplication\_GetRemainingSearchResults\_OutputMessage** (section [3.1.4.11.1.2](#)) message as follows:

1. The protocol server receives the input data for a **GetRemainingSearchResults** WSDL operation as specified in section [3.1.4.11.2.1](#).
2. The protocol server creates the **ParameterSearchResultRecord** using the **Filter** ([\[MS-PPSAS\]](#) section 2.2.4.98) **DataSource** and **SubTypeId** referenced by **parameterLocation** (section 3.1.4.11.2.1), the string referenced by **searchTerm** (section 3.1.4.11.2.1) and the **WebPartContext** (section [2.2.4.20](#)) referenced by **webPartContext** (section 3.1.4.11.2.1).

**Exceptions:**

ErrorCode	Description
FCOReadFailed	See section <a href="#">2.2.2.1.3</a> for the common list of error codes.
FCOReadFailedListAccess	See section 2.2.2.1.3 for the common list of error codes.

In case of any other failure, the **ErrorCode** MUST be one of the values specified in section [2.2.2.1.2](#). For a detailed specification of how exceptions are reported by the protocol server, see section [2.2.2.1](#).

**3.1.4.11.1 Messages**

The following table summarizes the set of WSDL message definitions that are specific to this operation.

Message	Description
<b>IBIMonitoringServiceApplication_GetRemainingSearchResults_InputMessage</b>	The request WSDL message for the <b>GetRemainingSearchResults</b> WSDL operation.
<b>IBIMonitoringServiceApplication_GetRemainingSearchResults_OutputMessage</b>	The response WSDL message for the <b>GetRemainingSearchResults</b> WSDL operation.

**3.1.4.11.1.1 IBIMonitoringServiceApplication\_GetRemainingSearchResults\_InputMessage**

The request WSDL message for the **GetRemainingSearchResults** WSDL operation.

The SOAP action value is:

```
http://www.microsoft.com/performancepoint/scorecards/IBIMonitoringServiceApplication/GetRemainingSearchResults
```

The SOAP body contains the **GetRemainingSearchResults** element.



### 3.1.4.11.1.2 IBIMonitoringServiceApplication\_GetRemainingSearchResults\_OutputMessage

The response WSDL message for the **GetRemainingSearchResults** WSDL operation.

The SOAP body contains the **GetRemainingSearchResultsResponse** element.

#### 3.1.4.11.2 Elements

The following table summarizes the XML schema element definitions that are specific to this operation.

Element	Description
<b>GetRemainingSearchResults</b>	The input data for the <b>GetRemainingSearchResults</b> WSDL operation.
<b>GetRemainingSearchResultsResponse</b>	The result data for the <b>GetRemainingSearchResults</b> WSDL operation.

#### 3.1.4.11.2.1 GetRemainingSearchResults

The **GetRemainingSearchResults** element specifies the input data for the **GetRemainingSearchResults** WSDL operation.

```
<xs:element name="GetRemainingSearchResults" xmlns:xs="http://www.w3.org/2001/XMLSchema">
  <xs:complexType>
    <xs:sequence>
      <xs:element minOccurs="0" name="parameterLocation" nillable="true"
type="tns:RepositoryLocation"/>
      <xs:element minOccurs="0" name="searchTerm" nillable="true" type="xs:string"/>
      <xs:element
xmlns:q1="http://schemas.datacontract.org/2004/07/Microsoft.PerformancePoint.Scorecards"
minOccurs="0" name="webPartContext" nillable="true" type="q1:WebPartContext"/>
    </xs:sequence>
  </xs:complexType>
</xs:element>
```

**parameterLocation:** The parameter provider's location as specified in [\[MS-PPSAS\]](#) section 2.2.4.142.

**searchTerm:** A string representing a word or phrase that will be used to search the parameter's display data.

**webPartContext:** Specifies the current context of a Web Part, as defined in **WebPartContext** (section [2.2.4.20](#)).

#### 3.1.4.11.2.2 GetRemainingSearchResultsResponse

The **GetRemainingSearchResultsResponse** element specifies the result data for the **GetRemainingSearchResults** WSDL operation.

```
<xs:element name="GetRemainingSearchResultsResponse"
xmlns:xs="http://www.w3.org/2001/XMLSchema">
  <xs:complexType>
    <xs:sequence>
      <xs:element
xmlns:q19="http://schemas.datacontract.org/2004/07/Microsoft.PerformancePoint.Scorecards.ServerCommon"
minOccurs="0" name="GetRemainingSearchResultsResult" nillable="true"
type="q19:ParameterSearchResultRecord"/>
    </xs:sequence>
  </xs:complexType>
</xs:element>
```

```
</xs:sequence>
</xs:complexType>
</xs:element>
```

**GetRemainingSearchResultsResult:** A **ParameterSearchResultRecord** value (section [2.2.4.15](#)).

### 3.1.4.11.3 Complex Types

None.

### 3.1.4.11.4 Simple Types

None.

### 3.1.4.11.5 Attributes

None.

### 3.1.4.11.6 Groups

None.

### 3.1.4.11.7 Attribute Groups

None.

## 3.1.4.12 GetRenderControlPreview

The **GetRenderControlPreview** operation is used when a control is HTML rendered directly to the report preview page that is rendered within the report designer. The report control preview rendering has its own enabled feature set. Additionally, the report control preview does not accept parameters from Web Part connections.

```
<wsdl:operation name="GetRenderControlPreview" xmlns:wsdl="http://schemas.xmlsoap.org/wsdl/">
  <wsdl:input
    wsam:Action="http://www.microsoft.com/performancepoint/scorecards/IBIMonitoringServiceApplication/GetRenderControlPreview"
    message="tns:IBIMonitoringServiceApplication_GetRenderControlPreview_InputMessage"
    xmlns:wsam="http://www.w3.org/2007/05/addressing/metadata"/>
  <wsdl:output
    wsam:Action="http://www.microsoft.com/performancepoint/scorecards/IBIMonitoringServiceApplication/GetRenderControlPreviewResponse"
    message="tns:IBIMonitoringServiceApplication_GetRenderControlPreview_OutputMessage"
    xmlns:wsam="http://www.w3.org/2007/05/addressing/metadata"/>
  <wsdl:fault
    wsam:Action="http://www.microsoft.com/performancepoint/scorecards/IBIMonitoringServiceApplication/GetRenderControlPreviewBpmExceptionFault" name="BpmExceptionFault"
    message="tns:IBIMonitoringServiceApplication_GetRenderControlPreview_BpmExceptionFault_FaultMessage" xmlns:wsam="http://www.w3.org/2007/05/addressing/metadata"/>
</wsdl:operation>
```

The protocol client sends an **IBIMonitoringServiceApplication\_GetRenderControlPreview\_InputMessage** request message (section [3.1.4.12.1.1](#)) and the protocol server responds with an **IBIMonitoringServiceApplication\_GetRenderControlPreview\_OutputMessage** response message (section [3.1.4.12.1.2](#)) as follows:

1. The protocol client sends a temporary First Class Object (FCO) **RepositoryLocation** (specified in [MS-PPSAS] section 2.2.4.161) for the report control to be rendered.
2. Define a set of report control render properties that affect the generated HTML.
3. In the case where a render exception occurs, an HTML error message is the rendered HTML.
4. A report control supports paging data when the results are too large. Paging means the result data is rendered in separate parts. Each part can be a request to be rendered.
5. The protocol server sends the corresponding report control rendered HTML.

In the case of a failure other than a render exception, the **ErrorCode** MUST be one of the values specified in section 2.2.2.1.2. For a detailed specification of how exceptions are reported by the protocol server, see section 2.2.2.1.

### 3.1.4.12.1 Messages

The following table summarizes the set of WSDL message definitions that are specific to this operation.

Message	Description
<b>IBIMonitoringServiceApplication_GetRenderControlPreview_InputMessage</b>	The request WSDL message for the <b>GetRenderControlPreview</b> WSDL operation.
<b>IBIMonitoringServiceApplication_GetRenderControlPreview_OutputMessage</b>	The response WSDL message for the <b>GetRenderControlPreview</b> WSDL operation.

#### 3.1.4.12.1.1 IBIMonitoringServiceApplication\_GetRenderControlPreview\_InputMessage

The request WSDL message for the **GetRenderControlPreview** WSDL operation.

The SOAP action value is:

```
http://www.microsoft.com/performancepoint/scorecards/IBIMonitoringServiceApplication/GetRenderControlPreview
```

The SOAP body contains the **GetRenderControlPreview** element.

#### 3.1.4.12.1.2 IBIMonitoringServiceApplication\_GetRenderControlPreview\_OutputMessage

The response WSDL message for the **GetRenderControlPreview** WSDL operation.

The SOAP body contains the **GetRenderControlPreviewResponse** element.

### 3.1.4.12.2 Elements

The following table summarizes the XML schema element definitions that are specific to this operation.

Element	Description
<b>GetRenderControlPreview</b>	The input data for the <b>GetRenderControlPreview</b> WSDL operation.
<b>GetRenderControlPreviewResponse</b>	The result data for the <b>GetRenderControlPreview</b> WSDL operation.

### 3.1.4.12.2.1 GetRenderControlPreview

The **GetRenderControlPreview** element specifies the input data for the **GetRenderControlPreview** WSDL operation.

```
<xs:element name="GetRenderControlPreview" xmlns:xs="http://www.w3.org/2001/XMLSchema">
  <xs:complexType>
    <xs:sequence>
      <xs:element minOccurs="0" maxOccurs="1" name="fcoLocation"
type="tns:RepositoryLocation"/>
      <xs:element minOccurs="0" maxOccurs="1" name="viewType" type="xs:string"/>
      <xs:element minOccurs="0" maxOccurs="1" name="width" type="xs:string"/>
      <xs:element minOccurs="0" maxOccurs="1" name="height" type="xs:string"/>
      <xs:element minOccurs="0" maxOccurs="1" name="nav" type="xs:string"/>
      <xs:element minOccurs="0" maxOccurs="1" name="isDesigner" type="xs:string"/>
      <xs:element minOccurs="0" maxOccurs="1" name="pageQuery" type="xs:string"/>
    </xs:sequence>
  </xs:complexType>
</xs:element>
```

**fcoLocation:** A **RepositoryLocation**, as specified in [\[MS-PPSAS\]](#) section 2.2.4.161. This element MUST be present.

**viewType:** The strong **assembly name** of the report control implementation. This attribute is used to create a new web control instance.

**width:** The width of the report control HTML render HTML markup.

**height:** The height of the report control HTML render HTML markup.

**nav:** MUST NOT be used.

**isDesigner:** The value "true" means the report control is hosted by the report designer and changes the generated HTML.

**pageQuery:** When the report control supports data result paging, this defines the currently rendered data result.

### 3.1.4.12.2.2 GetRenderControlPreviewResponse

The **GetRenderControlPreviewResponse** element specifies the result data for the **GetRenderControlPreview** WSDL operation.

```
<xs:element name="GetRenderControlPreviewResponse"
xmlns:xs="http://www.w3.org/2001/XMLSchema">
  <xs:complexType>
    <xs:sequence>
      <xs:element minOccurs="0" maxOccurs="1" name="GetRenderControlPreviewResult"
type="xs:string"/>
    </xs:sequence>
  </xs:complexType>
</xs:element>
```

**GetRenderControlPreviewResult:** The report control rendered HTML markup.

### 3.1.4.12.3 Complex Types

None.

### 3.1.4.12.4 Simple Types

None.

### 3.1.4.12.5 Attributes

None.

### 3.1.4.12.6 Groups

None.

### 3.1.4.12.7 Attribute Groups

None.

### 3.1.4.13 GetReportDependencies

The **GetReportDependencies** operation retrieves the required external dependencies for rendering a report.

```
<wsdl:operation name="GetReportDependencies" xmlns:wsdl="http://schemas.xmlsoap.org/wsdl/">
  <wsdl:input
    wsam:Action="http://www.microsoft.com/performancepoint/scorecards/IBIMonitoringServiceApplication/GetReportDependencies"
    message="tns:IBIMonitoringServiceApplication_GetReportDependencies_InputMessage"
    xmlns:wsam="http://www.w3.org/2007/05/addressing/metadata"/>
  <wsdl:output
    wsam:Action="http://www.microsoft.com/performancepoint/scorecards/IBIMonitoringServiceApplication/GetReportDependenciesResponse"
    message="tns:IBIMonitoringServiceApplication_GetReportDependencies_OutputMessage"
    xmlns:wsam="http://www.w3.org/2007/05/addressing/metadata"/>
  <wsdl:fault
    wsam:Action="http://www.microsoft.com/performancepoint/scorecards/IBIMonitoringServiceApplication/GetReportDependenciesBpmExceptionFault" name="BpmExceptionFault"
    message="tns:IBIMonitoringServiceApplication_GetReportDependencies BpmExceptionFault FaultMessage" xmlns:wsam="http://www.w3.org/2007/05/addressing/metadata"/>
</wsdl:operation>
```

The protocol client sends an **IBIMonitoringServiceApplication\_GetReportDependencies\_InputMessage** request message (section [3.1.4.13.1.1](#)) and the protocol server responds with an **IBIMonitoringServiceApplication\_GetReportDependencies\_OutputMessage** response message (section [3.1.4.13.1.2](#)) as follows:

1. The protocol client sends a **RepositoryLocation** (specified in [\[MS-PPSAS\]](#) section 2.2.4.161) referencing the **ReportView** (specified in [\[MS-PPSAS\]](#) section 2.2.4.160) for which to retrieve the rendering dependencies.
2. The protocol server responds with a **ResourceDependencies** (section [2.2.4.16](#)) containing the resources needed for proper rendering.

3. If an error occurs, the protocol server MUST return a **FaultException** response as detailed in section [2.2.2.1](#).

**Exceptions:**

ErrorCode	Description
CreateReturnedNull	See section <a href="#">2.2.2.1.3</a> for the common list of error codes.
NotAParameterizableControl	See section <a href="#">2.2.2.1.3</a> for the common list of error codes.

In case of any other failure, the **ErrorCode** MUST be one of the values specified in section [2.2.2.1.2](#). For a detailed specification of how exceptions are reported by the protocol server, see section [2.2.2.1](#).

**3.1.4.13.1 Messages**

The following table summarizes the set of WSDL message definitions that are specific to this operation.

Message	Description
<b>IBIMonitoringServiceApplication_GetReportDependencies_InputMessage</b>	The request WSDL message for the <b>GetReportDependencies</b> WSDL operation.
<b>IBIMonitoringServiceApplication_GetReportDependencies_OutputMessage</b>	The response WSDL message for the <b>GetReportDependencies</b> WSDL operation.

**3.1.4.13.1.1 IBIMonitoringServiceApplication\_GetReportDependencies\_InputMessage**

The request WSDL message for the **GetReportDependencies** WSDL operation.

The SOAP action value is:

`http://www.microsoft.com/performancepoint/scorecards/IBIMonitoringServiceApplication/GetReportDependencies`

The SOAP body contains the **GetReportDependencies** element.

**3.1.4.13.1.2 IBIMonitoringServiceApplication\_GetReportDependencies\_OutputMessage**

The response WSDL message for the **GetReportDependencies** WSDL operation.

The SOAP body contains the **GetReportDependenciesResponse** element.

**3.1.4.13.2 Elements**

The following table summarizes the XML schema element definitions that are specific to this operation.

Element	Description
<b>GetReportDependencies</b>	The input data for the <b>GetReportDependencies</b> WSDL operation.
<b>GetReportDependenciesResponse</b>	The result data for the <b>GetReportDependencies</b> WSDL operation.

### 3.1.4.13.2.1 GetReportDependencies

The **GetReportDependencies** element specifies the input data for the **GetReportDependencies** WSDL operation.

```
<xs:element name="GetReportDependencies" xmlns:xs="http://www.w3.org/2001/XMLSchema">
  <xs:complexType>
    <xs:sequence>
      <xs:element minOccurs="0" maxOccurs="1" name="reportLocation"
type="tns:RepositoryLocation"/>
    </xs:sequence>
  </xs:complexType>
</xs:element>
```

**reportLocation:** The location of the **ReportView** (specified in [\[MS-PPSAS\] section 2.2.4.160](#)) on the protocol server as specified by **RepositoryLocation** ([\[MS-PPSAS\] section 2.2.4.161](#)). This element **MUST** be present, and the **ItemUrl** property of this element **MUST NOT** be empty.

### 3.1.4.13.2.2 GetReportDependenciesResponse

The **GetReportDependenciesResponse** element specifies the result data for the **GetReportDependencies** WSDL operation.

```
<xs:element name="GetReportDependenciesResponse" xmlns:xs="http://www.w3.org/2001/XMLSchema">
  <xs:complexType>
    <xs:sequence>
      <xs:element minOccurs="0" maxOccurs="1" name="GetReportDependenciesResult"
type="tns:ResourceDependencies"/>
    </xs:sequence>
  </xs:complexType>
</xs:element>
```

**GetReportDependenciesResult:** The resources that are needed for rendering as specified by **ResourceDependencies** (section [2.2.4.16](#)).

### 3.1.4.13.3 Complex Types

None.

### 3.1.4.13.4 Simple Types

None.

### 3.1.4.13.5 Attributes

None.

### 3.1.4.13.6 Groups

None.

### 3.1.4.13.7 Attribute Groups

None.

### 3.1.4.14 GetReportViewImageData

The **GetReportViewImageData** operation is a request to retrieve a report control image data. An analytic chart report is an example of where its chart view image data is retrieved from.

```
<wsdl:operation name="GetReportViewImageData" xmlns:wsdl="http://schemas.xmlsoap.org/wsdl/">
  <wsdl:input
    wsam:Action="http://www.microsoft.com/performancepoint/scorecards/IBIMonitoringServiceApplication/GetReportViewImageData"
    message="tns:IBIMonitoringServiceApplication_GetReportViewImageData_InputMessage"
    xmlns:wsam="http://www.w3.org/2007/05/addressing/metadata"/>
  <wsdl:output
    wsam:Action="http://www.microsoft.com/performancepoint/scorecards/IBIMonitoringServiceApplication/GetReportViewImageDataResponse"
    message="tns:IBIMonitoringServiceApplication_GetReportViewImageData_OutputMessage"
    xmlns:wsam="http://www.w3.org/2007/05/addressing/metadata"/>
  <wsdl:fault
    wsam:Action="http://www.microsoft.com/performancepoint/scorecards/IBIMonitoringServiceApplication/GetReportViewImageDataBpmExceptionFault" name="BpmExceptionFault"
    message="tns:IBIMonitoringServiceApplication_GetReportViewImageData_BpmExceptionFault_FaultMessage" xmlns:wsam="http://www.w3.org/2007/05/addressing/metadata"/>
</wsdl:operation>
```

The protocol client sends an

**IBIMonitoringServiceApplication\_GetReportViewImageData\_InputMessage** request message (section [3.1.4.14.1.1](#)) and the protocol server responds with an **IBIMonitoringServiceApplication\_GetReportViewImageData\_OutputMessage** response message (section [3.1.4.14.1.2](#)) as follows:

1. The protocol client sends a temporary First Class Object (FCO) **RepositoryLocation** (specified in [\[MS-PPSAS\]](#) section 2.2.4.161) for the report control to be rendered.
2. The report control view image data cache key.
3. The image height and width.
4. The starting x-axis column and the number of column data to return.
5. In the case where a render exception occurs, an empty view image data is returned.
6. The protocol server sends the corresponding report control view image data.

In case of failure, the **ErrorCode** MUST be one of the values specified in section [2.2.2.1](#). For a detailed specification of how exceptions are reported by the protocol server, see section [2.2.2.1](#).

#### 3.1.4.14.1 Messages

The following table summarizes the set of WSDL message definitions that are specific to this operation.

Message	Description
<b>IBIMonitoringServiceApplication_GetReportViewImageData_InputMessage</b>	The request WSDL message for the <b>GetReportViewImageData</b> WSDL operation.



Message	Description
<b>IBIMonitoringServiceApplication_GetReportViewImageData_OutputMessage</b>	The response WSDL message for the <b>GetReportViewImageData</b> WSDL operation.

### 3.1.4.14.1.1 IBIMonitoringServiceApplication\_GetReportViewImageData\_InputMessage

The request WSDL message for the **GetReportViewImageData** WSDL operation.

The SOAP action value is:

```
http://www.microsoft.com/performancepoint/scorecards/IBIMonitoringServiceApplication/GetReportViewImageData
```

The SOAP body contains the **GetReportViewImageData** element.

### 3.1.4.14.1.2 IBIMonitoringServiceApplication\_GetReportViewImageData\_OutputMessage

The response WSDL message for the **GetReportViewImageData** WSDL operation.

The SOAP body contains the **GetReportViewImageDataResponse** element.

### 3.1.4.14.2 Elements

The following table summarizes the XML schema element definitions that are specific to this operation.

Element	Description
<b>GetReportViewImageData</b>	The input data for the <b>GetReportViewImageData</b> WSDL operation.
<b>GetReportViewImageDataResponse</b>	The result data for the <b>GetReportViewImageData</b> WSDL operation.

#### 3.1.4.14.2.1 GetReportViewImageData

The **GetReportViewImageData** element specifies the input data for the **GetReportViewImageData** WSDL operation.

```
<xs:element name="GetReportViewImageData" xmlns:xs="http://www.w3.org/2001/XMLSchema">
  <xs:complexType>
    <xs:sequence>
      <xs:element minOccurs="1" maxOccurs="1" name="proxyCacheAttempt" type="xs:boolean"/>
      <xs:element minOccurs="0" maxOccurs="1" name="externalkey" type="xs:string"/>
      <xs:element minOccurs="0" maxOccurs="1" name="tempFcoLocation"
type="tns:RepositoryLocation"/>
      <xs:element minOccurs="1" maxOccurs="1" name="height" type="xs:int"/>
      <xs:element minOccurs="1" maxOccurs="1" name="width" type="xs:int"/>
      <xs:element minOccurs="1" maxOccurs="1" name="colStart" type="xs:int"/>
      <xs:element minOccurs="1" maxOccurs="1" name="colCount" type="xs:int"/>
    </xs:sequence>
  </xs:complexType>
```

```
</xs:element>
```

**proxyCacheAttempt:** Specifies whether the render operation SHOULD use the proxy cache.

**externalkey:** A unique value combined with the user's identity to identify the generated report.

**tempFcoLocation:** A temporary First Class Object (FCO) **RepositoryLocation**, as specified in [\[MS-PPSAS\]](#) section 2.2.4.161. This element MUST be present.

**height:** The height of the report control view image data.

**width:** The width of the report control view image data.

**colStart:** The starting x-axis column for the returned report control view image data. This number is zero-based.

**colCount:** The number of data columns to include in the view image data result.

#### 3.1.4.14.2.2 GetReportViewImageDataResponse

The **GetReportViewImageDataResponse** element specifies the result data for the **GetReportViewImageData** WSDL operation.

```
<xs:element name="GetReportViewImageDataResponse"
  xmlns:xs="http://www.w3.org/2001/XMLSchema">
  <xs:complexType>
    <xs:sequence>
      <xs:element minOccurs="1" maxOccurs="1" name="GetReportViewImageDataResult"
        type="xs:boolean"/>
      <xs:element minOccurs="0" maxOccurs="1" name="key" type="xs:string"/>
      <xs:element minOccurs="1" maxOccurs="1" name="proxyCacheExpiration"
        type="xs:dateTime"/>
      <xs:element minOccurs="0" maxOccurs="1" name="mimeType" type="xs:string"/>
      <xs:element minOccurs="0" maxOccurs="1" name="viewHtml" type="xs:string"/>
      <xs:element minOccurs="0" maxOccurs="1" name="bytesImageData" type="xs:base64Binary"/>
    </xs:sequence>
  </xs:complexType>
</xs:element>
```

**GetReportViewImageDataResult:** True means the report view image data is defined.

**key:** A unique value identifying the generated report.

**proxyCacheExpiration:** Specifies a DateTime value for when the cached value expires. The value "DateTime.MinValue" means the result was not cached.

**mimeType:** The report control view image **MIME type**. The value is "image/png" or "text".

**viewHtml:** The data image is only defined when the MIME type is "text".

**bytesImageData:** The report view image data as a byte array. This data is defined when the MIME type is not "text".

#### 3.1.4.14.3 Complex Types

None.

#### 3.1.4.14.4 Simple Types

None.

### 3.1.4.14.5 Attributes

None.

### 3.1.4.14.6 Groups

None.

### 3.1.4.14.7 Attribute Groups

None.

### 3.1.4.15 GetScorecardDependencies

The **GetScorecardDependencies** operation retrieves the required external dependencies for rendering a scorecard.

```
<wsdl:operation name="GetScorecardDependencies"
xmlns:wsdl="http://schemas.xmlsoap.org/wsdl/">
  <wsdl:input
wsam:Action="http://www.microsoft.com/performancepoint/scorecards/IBIMonitoringServiceApplication/GetScorecardDependencies"
message="tns:IBIMonitoringServiceApplication_GetScorecardDependencies_InputMessage"
xmlns:wsam="http://www.w3.org/2007/05/addressing/metadata"/>
  <wsdl:output
wsam:Action="http://www.microsoft.com/performancepoint/scorecards/IBIMonitoringServiceApplication/GetScorecardDependenciesResponse"
message="tns:IBIMonitoringServiceApplication_GetScorecardDependencies_OutputMessage"
xmlns:wsam="http://www.w3.org/2007/05/addressing/metadata"/>
  <wsdl:fault
wsam:Action="http://www.microsoft.com/performancepoint/scorecards/IBIMonitoringServiceApplication/GetScorecardDependenciesBpmExceptionFault" name="BpmExceptionFault"
message="tns:IBIMonitoringServiceApplication_GetScorecardDependencies_BpmExceptionFault_FaultMessage" xmlns:wsam="http://www.w3.org/2007/05/addressing/metadata"/>
</wsdl:operation>
```

The protocol client sends an **IBIMonitoringServiceApplication\_GetScorecardDependencies\_InputMessage** request message (section [3.1.4.15.1.1](#)) and the protocol server responds with an **IBIMonitoringServiceApplication\_GetScorecardDependencies\_OutputMessage** response message (section [3.1.4.15.1.2](#)) as follows:

1. The protocol client sends a **RepositoryLocation** (specified in [\[MS-PPSAS\]](#) section 2.2.4.161) referencing the **Scorecard** (specified in [\[MS-PPSAS\]](#) section 2.2.4.162) for which to retrieve the rendering dependencies.
2. The protocol server responds with a **ResourceDependencies** (section [2.2.4.16](#)) containing the resources needed for proper rendering.
3. If an error occurs, the protocol server MUST return a **FaultException** response as detailed in section [2.2.2.1](#).

#### Exceptions:

ErrorCode	Description
CreateReturnedNull	See section <a href="#">2.2.2.1.3</a> for the common list of error codes.
NotAParameterizableControl	See section <a href="#">2.2.2.1.3</a> for the common list of error codes.

In case of any other failure, the **ErrorCode** MUST be one of the values specified in section [2.2.2.1.2](#). For a detailed specification of how exceptions are reported by the protocol server, see section [2.2.2.1](#).

### 3.1.4.15.1 Messages

The following table summarizes the set of WSDL message definitions that are specific to this operation.

Message	Description
<b>IBIMonitoringServiceApplication_GetScorecardDependencies_InputMessage</b>	The request WSDL message for the <b>GetScorecardDependencies</b> WSDL operation.
<b>IBIMonitoringServiceApplication_GetScorecardDependencies_OutputMessage</b>	The response WSDL message for the <b>GetScorecardDependencies</b> WSDL operation.

#### 3.1.4.15.1.1 IBIMonitoringServiceApplication\_GetScorecardDependencies\_InputMessage

The request WSDL message for the **GetScorecardDependencies** WSDL operation.

The SOAP action value is:

`http://www.microsoft.com/performancepoint/scorecards/IBIMonitoringServiceApplication/GetScorecardDependencies`

The SOAP body contains the **GetScorecardDependencies** element.

#### 3.1.4.15.1.2 IBIMonitoringServiceApplication\_GetScorecardDependencies\_OutputMessage

The response WSDL message for the **GetScorecardDependencies** WSDL operation.

The SOAP body contains the **GetScorecardDependenciesResponse** element.

### 3.1.4.15.2 Elements

The following table summarizes the XML schema element definitions that are specific to this operation.

Element	Description
<b>GetScorecardDependencies</b>	The input data for the <b>GetScorecardDependencies</b> WSDL operation.
<b>GetScorecardDependenciesResponse</b>	The result data for the <b>GetScorecardDependencies</b> WSDL operation.

#### 3.1.4.15.2.1 GetScorecardDependencies

The **GetScorecardDependencies** element specifies the input data for the **GetScorecardDependencies** WSDL operation.

```
<xs:element name="GetScorecardDependencies" xmlns:xs="http://www.w3.org/2001/XMLSchema">
  <xs:complexType>
    <xs:sequence>
      <xs:element minOccurs="0" maxOccurs="1" name="scorecardLocation"
type="tns:RepositoryLocation"/>
    </xs:sequence>
  </xs:complexType>
</xs:element>
```

**scorecardLocation:** The location of the **Scorecard** (specified in [\[MS-PPSAS\]](#) section 2.2.4.162) on the protocol server as specified by **RepositoryLocation** (specified in [\[MS-PPSAS\]](#) section 2.2.4.161). This element **MUST** be present, and the **ItemUrl** property of this element **MUST NOT** be empty.

### 3.1.4.15.2 GetScorecardDependenciesResponse

The **GetScorecardDependenciesResponse** element specifies the result data for the **GetScorecardDependencies** WSDL operation.

```
<xs:element name="GetScorecardDependenciesResponse"
xmlns:xs="http://www.w3.org/2001/XMLSchema">
  <xs:complexType>
    <xs:sequence>
      <xs:element minOccurs="0" maxOccurs="1" name="GetScorecardDependenciesResult"
type="tns:ResourceDependencies"/>
    </xs:sequence>
  </xs:complexType>
</xs:element>
```

**GetScorecardDependenciesResult:** The resources that are needed for rendering as specified by **ResourceDependencies** (section [2.2.4.16](#)).

### 3.1.4.15.3 Complex Types

None.

### 3.1.4.15.4 Simple Types

None.

### 3.1.4.15.5 Attributes

None.

### 3.1.4.15.6 Groups

None.

### 3.1.4.15.7 Attribute Groups

None.

### 3.1.4.16 GetSetting

The **GetSetting** operation retrieves a configuration setting.

```

<wsdl:operation name="GetSetting" xmlns:wsdl="http://schemas.xmlsoap.org/wsdl/">
  <wsdl:input
wsam:Action="http://www.microsoft.com/performancepoint/scorecards/IBIMonitoringServiceApplica
tion/GetSetting" message="tns:IBIMonitoringServiceApplication_GetSetting_InputMessage"
xmlns:wsam="http://www.w3.org/2007/05/addressing/metadata"/>
  <wsdl:output
wsam:Action="http://www.microsoft.com/performancepoint/scorecards/IBIMonitoringServiceApplica
tion/GetSettingResponse"
message="tns:IBIMonitoringServiceApplication_GetSetting_OutputMessage"
xmlns:wsam="http://www.w3.org/2007/05/addressing/metadata"/>
  <wsdl:fault
wsam:Action="http://www.microsoft.com/performancepoint/scorecards/IBIMonitoringServiceApplica
tion/GetSettingBpmExceptionFault" name="BpmExceptionFault"
message="tns:IBIMonitoringServiceApplication_GetSetting_BpmExceptionFault_FaultMessage"
xmlns:wsam="http://www.w3.org/2007/05/addressing/metadata"/>
</wsdl:operation>

```

The protocol client sends an **IBIMonitoringServiceApplication\_GetSetting\_InputMessage** request message (section [3.1.4.16.1.1](#)) and the protocol server responds with an **IBIMonitoringServiceApplication\_GetSetting\_OutputMessage** response message (section [3.1.4.16.1.2](#)) as follows:

1. The protocol client sends a string identifying the setting to the retrieved.
2. The protocol server responds with the corresponding configuration setting.

#### Exceptions:

ErrorCode	Description
Unknown	See section <a href="#">2.2.2.1.3</a> for the common list of error codes.

In case of any other failure, the **ErrorCode** MUST be one of the values specified in section [2.2.2.1.2](#). For a detailed specification of how exceptions are reported by the protocol server, see section [2.2.2.1](#).

### 3.1.4.16.1 Messages

The following table summarizes the set of WSDL message definitions that are specific to this operation.

Message	Description
<b>IBIMonitoringServiceApplication_GetSetting_InputMessage</b>	The request WSDL message for the <b>GetSetting</b> WSDL operation.
<b>IBIMonitoringServiceApplication_GetSetting_OutputMessage</b>	The response WSDL message for the <b>GetSetting</b> WSDL operation.

#### 3.1.4.16.1.1 IBIMonitoringServiceApplication\_GetSetting\_InputMessage

The request WSDL message for the **GetSetting** WSDL operation.

The SOAP action value is:

```

http://www.microsoft.com/performancepoint/scorecards/IBIMonitoringServiceApplication/GetSetti
ng

```

The SOAP body contains the **GetSetting** element.

#### 3.1.4.16.1.2 IBIMonitoringServiceApplication\_GetSetting\_OutputMessage

The response WSDL message for the **GetSetting** WSDL operation.

The SOAP body contains the **GetSettingResponse** element.

#### 3.1.4.16.2 Elements

The following table summarizes the XML schema element definitions that are specific to this operation.

Element	Description
<b>GetSetting</b>	The input data for the <b>GetSetting</b> WSDL operation.
<b>GetSettingResponse</b>	The result data for the <b>GetSetting</b> WSDL operation.

##### 3.1.4.16.2.1 GetSetting

The **GetSetting** element specifies the input data for the **GetSetting** WSDL operation.

```
<xs:element name="GetSetting" xmlns:xs="http://www.w3.org/2001/XMLSchema">
  <xs:complexType>
    <xs:sequence>
      <xs:element minOccurs="0" maxOccurs="1" name="key" type="xs:string"/>
    </xs:sequence>
  </xs:complexType>
</xs:element>
```

**key:** A unique value identifying the setting to be retrieved. The value **MUST** be one of the keys listed in the **Setting** complex type (section [2.2.4.18](#)).

##### 3.1.4.16.2.2 GetSettingResponse

The **GetSettingResponse** element specifies the result data for the **GetSetting** WSDL operation.

```
<xs:element name="GetSettingResponse" xmlns:xs="http://www.w3.org/2001/XMLSchema">
  <xs:complexType>
    <xs:sequence>
      <xs:element minOccurs="0" maxOccurs="1" name="GetSettingResult" type="tns:Setting"/>
    </xs:sequence>
  </xs:complexType>
</xs:element>
```

**GetSettingResult:** The current configuration setting, as specified in the **Setting** complex type (section [2.2.4.18](#)): **Key** **MUST** be equal to the requested key, **Type** **MUST** be the **SettingType** corresponding to the key, **Value** **MUST NOT** be null.

#### 3.1.4.16.3 Complex Types

None.

#### 3.1.4.16.4 Simple Types

None.

### 3.1.4.16.5 Attributes

None.

### 3.1.4.16.6 Groups

None.

### 3.1.4.16.7 Attribute Groups

None.

### 3.1.4.17 GetSettings

The **GetSettings** operation retrieves all configuration settings (section [2.2.4.18](#)).

```
<wsdl:operation name="GetSettings" xmlns:wsdl="http://schemas.xmlsoap.org/wsdl/">
  <wsdl:input
    wsam:Action="http://www.microsoft.com/performancepoint/scorecards/IBIMonitoringServiceApplication/GetSettings" message="tns:IBIMonitoringServiceApplication GetSettings InputMessage"
    xmlns:wsam="http://www.w3.org/2007/05/addressing/metadata"/>
  <wsdl:output
    wsam:Action="http://www.microsoft.com/performancepoint/scorecards/IBIMonitoringServiceApplication/GetSettingsResponse"
    message="tns:IBIMonitoringServiceApplication_GetSettings_OutputMessage"
    xmlns:wsam="http://www.w3.org/2007/05/addressing/metadata"/>
  <wsdl:fault
    wsam:Action="http://www.microsoft.com/performancepoint/scorecards/IBIMonitoringServiceApplication/GetSettingsBpmExceptionFault" name="BpmExceptionFault"
    message="tns:IBIMonitoringServiceApplication_GetSettings_BpmExceptionFault_FaultMessage"
    xmlns:wsam="http://www.w3.org/2007/05/addressing/metadata"/>
</wsdl:operation>
```

The protocol client sends an **IBIMonitoringServiceApplication\_GetSettings\_InputMessage** request message (section [3.1.4.17.1.1](#)) and the protocol server responds with an **IBIMonitoringServiceApplication\_GetSettings\_OutputMessage** response message (section [3.1.4.17.1.2](#)) as follows:

1. The protocol client sends the request.
2. The protocol server responds with the collection of settings (section [2.2.4.15](#)).

#### Exceptions:

ErrorCode	Description
Unknown	See section <a href="#">2.2.2.1.3</a> for the common list of error codes.

In case of any other failure, the **ErrorCode** MUST be one of the values specified in section [2.2.2.1.2](#). For a detailed specification of how exceptions are reported by the protocol server, see section [2.2.2.1](#).

### 3.1.4.17.1 Messages

The following table summarizes the set of WSDL message definitions that are specific to this operation.



Message	Description
<b>IBIMonitoringServiceApplication_GetSettings_InputMessage</b>	The request WSDL message for the <b>GetSettings</b> WSDL operation.
<b>IBIMonitoringServiceApplication_GetSettings_OutputMessage</b>	The response WSDL message for the <b>GetSettings</b> WSDL operation.

### 3.1.4.17.1.1 IBIMonitoringServiceApplication\_GetSettings\_InputMessage

The request WSDL message for the **GetSettings** WSDL operation.

The SOAP action value is:

```
http://www.microsoft.com/performancepoint/scorecards/IBIMonitoringServiceApplication/GetSettings
```

The SOAP body contains the **GetSettings** element.

### 3.1.4.17.1.2 IBIMonitoringServiceApplication\_GetSettings\_OutputMessage

The response WSDL message for the **GetSettings** WSDL operation.

The SOAP body contains the **GetSettingsResponse** element.

### 3.1.4.17.2 Elements

The following table summarizes the XML schema element definitions that are specific to this operation.

Element	Description
<b>GetSettings</b>	The input data for the <b>GetSettings</b> WSDL operation.
<b>GetSettingsResponse</b>	The result data for the <b>GetSettings</b> WSDL operation.

#### 3.1.4.17.2.1 GetSettings

The **GetSettings** element specifies the input data for the **GetSettings** WSDL operation.

```
<xs:element name="GetSettings" xmlns:xs="http://www.w3.org/2001/XMLSchema">
  <xs:complexType/>
</xs:element>
```

#### 3.1.4.17.2.2 GetSettingsResponse

The **GetSettingsResponse** element specifies the result data for the **GetSettings** WSDL operation.

```
<xs:element name="GetSettingsResponse" xmlns:xs="http://www.w3.org/2001/XMLSchema">
  <xs:complexType>
    <xs:sequence>
      <xs:element minOccurs="0" maxOccurs="1" name="GetSettingsResult"
        type="tns:ArrayOfSetting"/>
    </xs:sequence>
  </xs:complexType>
</xs:element>
```

```
</xs:complexType>
</xs:element>
```

**GetSettingsResult:** The current configuration settings, as specified in **ArrayOfSetting** (section [3.1.4.17.3.1](#)).

For each **Setting** in the array:

- **Key** MUST be equal to the key specified in [2.2.4.18](#).
- **Type** MUST be the **SettingType** corresponding to the key.
- **Value** MUST NOT be null.

### 3.1.4.17.3 Complex Types

The following table summarizes the XML schema complex type definitions that are specific to this operation.

Complex type	Description
<b>ArrayOfSetting</b>	The <b>ArrayOfSetting</b> complex type defines an array of <b>Setting</b> (section <a href="#">2.2.4.18</a> ) complex type.

#### 3.1.4.17.3.1 ArrayOfSetting

**Namespace:** <http://www.microsoft.com/performancepoint/scorecards>

The **ArrayOfSetting** complex type defines an array of **Setting** (section [2.2.4.18](#)) complex type.

```
<xs:complexType name="ArrayOfSetting" xmlns:xs="http://www.w3.org/2001/XMLSchema">
  <xs:sequence>
    <xs:element minOccurs="0" maxOccurs="unbounded" name="Setting" nillable="true"
      type="tns:Setting"/>
  </xs:sequence>
</xs:complexType>
```

**Setting:** This element MUST NOT be null and MUST conform to the schema of the **Setting** complex type.

#### 3.1.4.17.4 Simple Types

None.

#### 3.1.4.17.5 Attributes

None.

#### 3.1.4.17.6 Groups

None.

#### 3.1.4.17.7 Attribute Groups

None.

### 3.1.4.18 GetSettingValue

The **GetSettingValue** operation retrieves the current value of a configuration setting.

```
<wsdl:operation name="GetSettingValue" xmlns:wsdl="http://schemas.xmlsoap.org/wsdl/">
  <wsdl:input
    wsam:Action="http://www.microsoft.com/performancepoint/scorecards/IBIMonitoringServiceApplication/GetSettingValue"
    message="tns:IBIMonitoringServiceApplication_GetSettingValue_InputMessage"
    xmlns:wsam="http://www.w3.org/2007/05/addressing/metadata"/>
  <wsdl:output
    wsam:Action="http://www.microsoft.com/performancepoint/scorecards/IBIMonitoringServiceApplication/GetSettingValueResponse"
    message="tns:IBIMonitoringServiceApplication_GetSettingValue_OutputMessage"
    xmlns:wsam="http://www.w3.org/2007/05/addressing/metadata"/>
  <wsdl:fault
    wsam:Action="http://www.microsoft.com/performancepoint/scorecards/IBIMonitoringServiceApplication/GetSettingValueBpmExceptionFault" name="BpmExceptionFault"
    message="tns:IBIMonitoringServiceApplication_GetSettingValue_BpmExceptionFault_FaultMessage"
    xmlns:wsam="http://www.w3.org/2007/05/addressing/metadata"/>
</wsdl:operation>
```

The protocol client sends an **IBIMonitoringServiceApplication\_GetSettingValue\_InputMessage** request message (section [3.1.4.18.1.1](#)) and the protocol server responds with an **IBIMonitoringServiceApplication\_GetSettingValue\_OutputMessage** response message (section [3.1.4.18.1.2](#)) as follows:

1. The protocol client sends a string identifying the setting to be retrieved.
2. The protocol server responds with the string value of the corresponding setting.

#### Exceptions:

ErrorCode	Description
Unknown	See section <a href="#">2.2.2.1.3</a> for the common list of error codes.

In case of any other failure, the **ErrorCode** MUST be one of the values specified in section [2.2.2.1.2](#). For a detailed specification of how exceptions are reported by the protocol server, see section [2.2.2.1](#).

#### 3.1.4.18.1 Messages

The following table summarizes the set of WSDL message definitions that are specific to this operation.

Message	Description
<b>IBIMonitoringServiceApplication_GetSettingValue_InputMessage</b>	The request WSDL message for the <b>GetSettingValue</b> WSDL operation.
<b>IBIMonitoringServiceApplication_GetSettingValue_OutputMessage</b>	The response WSDL message for the <b>GetSettingValue</b> WSDL operation.

##### 3.1.4.18.1.1 IBIMonitoringServiceApplication\_GetSettingValue\_InputMessage

The request WSDL message for the **GetSettingValue** WSDL operation.

The SOAP action value is:

```
http://www.microsoft.com/performancepoint/scorecards/IBIMonitoringServiceApplication/GetSettingValue
```

The SOAP body contains the **GetSettingValue** element.

### 3.1.4.18.1.2 IBIMonitoringServiceApplication\_GetSettingValue\_OutputMessage

The response WSDL message for the **GetSettingValue** WSDL operation.

The SOAP body contains the **GetSettingValueResponse** element.

### 3.1.4.18.2 Elements

The following table summarizes the XML schema element definitions that are specific to this operation.

Element	Description
<b>GetSettingValue</b>	The input data for the <b>GetSettingValue</b> WSDL operation.
<b>GetSettingValueResponse</b>	The result data for the <b>GetSettingValue</b> WSDL operation.

#### 3.1.4.18.2.1 GetSettingValue

The **GetSettingValue** element specifies the input data for the **GetSettingValue** WSDL operation.

```
<xs:element name="GetSettingValue" xmlns:xs="http://www.w3.org/2001/XMLSchema">  
  <xs:complexType>  
    <xs:sequence>  
      <xs:element minOccurs="0" maxOccurs="1" name="key" type="xs:string"/>  
    </xs:sequence>  
  </xs:complexType>  
</xs:element>
```

**key:** A unique value identifying the setting to be retrieved. The value **MUST** be one of keys listed in Settings (section [2.2.4.18](#)).

#### 3.1.4.18.2.2 GetSettingValueResponse

The **GetSettingValueResponse** element specifies the result data for the **GetSettingValue** WSDL operation.

```
<xs:element name="GetSettingValueResponse" xmlns:xs="http://www.w3.org/2001/XMLSchema">  
  <xs:complexType>  
    <xs:sequence>  
      <xs:element minOccurs="0" maxOccurs="1" name="GetSettingValueResult" type="xs:string"/>  
    </xs:sequence>  
  </xs:complexType>  
</xs:element>
```

**GetSettingValueResult:** The current configuration setting value, expressed as a string. This element **MUST NOT** be null.

### 3.1.4.18.3 Complex Types

None.

#### 3.1.4.18.4 Simple Types

None.

#### 3.1.4.18.5 Attributes

None.

#### 3.1.4.18.6 Groups

None.

#### 3.1.4.18.7 Attribute Groups

None.

#### 3.1.4.19 GetStrategyMapReportView

The **GetStrategyMapReportView** operation retrieves a report view from the server that has been created through **SaveTemporaryStrategyMapReport** (section [3.1.4.28](#)).

```
<wsdl:operation name="GetStrategyMapReportView"
xmlns:wsdl="http://schemas.xmlsoap.org/wsdl/">
  <wsdl:input
wsam:Action="http://www.microsoft.com/performancepoint/scorecards/IBIMonitoringServiceApplication/GetStrategyMapReportView"
message="tns:IBIMonitoringServiceApplication GetStrategyMapReportView InputMessage"
xmlns:wsam="http://www.w3.org/2007/05/addressing/metadata"/>
  <wsdl:output
wsam:Action="http://www.microsoft.com/performancepoint/scorecards/IBIMonitoringServiceApplication/GetStrategyMapReportViewResponse"
message="tns:IBIMonitoringServiceApplication_GetStrategyMapReportView_OutputMessage"
xmlns:wsam="http://www.w3.org/2007/05/addressing/metadata"/>
  <wsdl:fault
wsam:Action="http://www.microsoft.com/performancepoint/scorecards/IBIMonitoringServiceApplication/GetStrategyMapReportViewBpmExceptionFault" name="BpmExceptionFault"
message="tns:IBIMonitoringServiceApplication GetStrategyMapReportView BpmExceptionFault Fault Message" xmlns:wsam="http://www.w3.org/2007/05/addressing/metadata"/>
</wsdl:operation>
```

The protocol client sends an **IBIMonitoringServiceApplication\_GetStrategyMapReportView\_InputMessage** request message (section [3.1.4.19.1.1](#)) and the server responds with an **IBIMonitoringServiceApplication\_GetStrategyMapReportView\_OutputMessage** response message (section [3.1.4.19.1.2](#)) as follows:

1. The protocol client sends a **RepositoryLocation** (specified in [\[MS-PPSAS\]](#) section 2.2.4.161) for the report view to be retrieved.
2. The server sends the corresponding report view.

#### Exceptions:

ErrorCode	Description
InvalidPermission	If the report view was created with <b>SaveTemporaryStrategyMapReport</b> (section 3.1.4.28), the security permissions are inherited from the parent report view.

ErrorCode	Description
	The location of the parent report view can be determined from the <b>RepositoryLocation</b> (specified in [MS-PPSAS] section 2.2.4.161) object "ParentReportViewLocation" embedded within "CustomData" of the report view. See section <a href="#">2.2.2.1.3</a> for the common list of error codes.
FCOReadFailed	See section 2.2.2.1.3 for the common list of error codes.
FCOReadFailedListAccess	See section 2.2.2.1.3 for the common list of error codes.

In case of any other failure, the **ErrorCode** MUST be one of the values specified in section [2.2.2.1.2](#). For a detailed specification of how exceptions are reported by the protocol server, see section [2.2.2.1](#).

### 3.1.4.19.1 Messages

The following table summarizes the set of WSDL message definitions that are specific to this operation.

Message	Description
<b>IBIMonitoringServiceApplication_GetStrategyMapReportView_InputMessage</b>	The request WSDL message for the <b>GetStrategyMapReportView</b> WSDL operation.
<b>IBIMonitoringServiceApplication_GetStrategyMapReportView_OutputMessage</b>	The response WSDL message for the <b>GetStrategyMapReportView</b> WSDL operation.

#### 3.1.4.19.1.1 IBIMonitoringServiceApplication\_GetStrategyMapReportView\_InputMessage

The request WSDL message for the **GetStrategyMapReportView** WSDL operation.

The SOAP action value is:

```
http://www.microsoft.com/performancepoint/scorecards/IBIMonitoringServiceApplication/GetStrategyMapReportView
```

The SOAP body contains the **GetStrategyMapReportView** element.

#### 3.1.4.19.1.2 IBIMonitoringServiceApplication\_GetStrategyMapReportView\_OutputMessage

The response WSDL message for the **GetStrategyMapReportView** WSDL operation.

The SOAP body contains the **GetStrategyMapReportViewResponse** element.

### 3.1.4.19.2 Elements

The following table summarizes the XML schema element definitions that are specific to this operation.

Element	Description
<b>GetStrategyMapReportView</b>	The input data for the <b>GetStrategyMapReportView</b> WSDL operation.
<b>GetStrategyMapReportViewResponse</b>	The result data for the <b>GetStrategyMapReportView</b> WSDL operation.

### 3.1.4.19.2.1 GetStrategyMapReportView

The **GetStrategyMapReportView** element specifies the input data for the **GetStrategyMapReportView** WSDL operation.

```
<xs:element name="GetStrategyMapReportView" xmlns:xs="http://www.w3.org/2001/XMLSchema">
  <xs:complexType>
    <xs:sequence>
      <xs:element minOccurs="0" maxOccurs="1" name="strategyMapReportViewLocation"
type="tns:RepositoryLocation"/>
    </xs:sequence>
  </xs:complexType>
</xs:element>
```

**strategyMapReportViewLocation:** The **RepositoryLocation** (specified in [\[MS-PPSAS\]](#) section 2.2.4.161) object that specifies the location of the report view on the server.

- The report view to be retrieved was created with **SaveTemporaryStrategyMapReport** (section [3.1.4.26](#)):
  - The **ItemGuid** property MUST equal the GUID that was returned from **SaveTemporaryStrategyMapReport**.
  - The **ItemType** property MUST equal **TempReportView** as specified by **FirstClassObjectType** (specified in [\[MS-PPSAS\]](#) section 2.2.5.20).
  - The **ItemUrl** property MUST equal an empty string.

### 3.1.4.19.2.2 GetStrategyMapReportViewResponse

The **GetStrategyMapReportViewResponse** element specifies the result data for the **GetStrategyMapReportView** WSDL operation.

```
<xs:element name="GetStrategyMapReportViewResponse"
xmlns:xs="http://www.w3.org/2001/XMLSchema">
  <xs:complexType>
    <xs:sequence>
      <xs:element minOccurs="0" maxOccurs="1" name="GetStrategyMapReportViewResult"
type="tns:ReportView"/>
    </xs:sequence>
  </xs:complexType>
</xs:element>
```

**GetStrategyMapReportViewResult:** The **ReportView** (specified in [\[MS-PPSAS\]](#) section 2.2.4.160) object that was requested from the server.

### 3.1.4.19.3 Complex Types

None.

### 3.1.4.19.4 Simple Types

None.

### 3.1.4.19.5 Attributes

None.

### 3.1.4.19.6 Groups

None.

### 3.1.4.19.7 Attribute Groups

None.

### 3.1.4.20 MaintenanceJob

The **MaintenanceJob** operation is used to start maintenance tasks (database cleanup jobs, for example).

```
<wsdl:operation name="MaintenanceJob" xmlns:wsdl="http://schemas.xmlsoap.org/wsdl/">
  <wsdl:input
    wsam:Action="http://www.microsoft.com/performancepoint/scorecards/IBIMonitoringServiceApplication/MaintenanceJob"
    message="tns:IBIMonitoringServiceApplication_MaintenanceJob_InputMessage"
    xmlns:wsam="http://www.w3.org/2007/05/addressing/metadata"/>
  <wsdl:output
    wsam:Action="http://www.microsoft.com/performancepoint/scorecards/IBIMonitoringServiceApplication/MaintenanceJobResponse"
    message="tns:IBIMonitoringServiceApplication_MaintenanceJob_OutputMessage"
    xmlns:wsam="http://www.w3.org/2007/05/addressing/metadata"/>
  <wsdl:fault
    wsam:Action="http://www.microsoft.com/performancepoint/scorecards/IBIMonitoringServiceApplication/MaintenanceJobBpmExceptionFault" name="BpmExceptionFault"
    message="tns:IBIMonitoringServiceApplication_MaintenanceJob_BpmExceptionFault_FaultMessage"
    xmlns:wsam="http://www.w3.org/2007/05/addressing/metadata"/>
</wsdl:operation>
```

The protocol client sends an **IBIMonitoringServiceApplication\_MaintenanceJob\_InputMessage** request message (section [3.1.4.20.1.1](#)) and the protocol server responds with an **IBIMonitoringServiceApplication\_MaintenanceJob\_OutputMessage** response message (section [3.1.4.20.1.2](#)).

### 3.1.4.20.1 Messages

The following table summarizes the set of WSDL message definitions that are specific to this operation.

Message	Description
<b>IBIMonitoringServiceApplication_MaintenanceJob_InputMessage</b>	The request WSDL message for the <b>MaintenanceJob</b> WSDL operation.
<b>IBIMonitoringServiceApplication_MaintenanceJob_OutputMessage</b>	The response WSDL message for the <b>MaintenanceJob</b> WSDL operation.



### 3.1.4.20.1.1 IBIMonitoringServiceApplication\_MaintenanceJob\_InputMessage

The request WSDL message for the **MaintenanceJob** WSDL operation.

The SOAP action value is:

```
http://www.microsoft.com/performancepoint/scorecards/IBIMonitoringServiceApplication/MaintenanceJob
```

The SOAP body contains the **MaintenanceJob** element.

### 3.1.4.20.1.2 IBIMonitoringServiceApplication\_MaintenanceJob\_OutputMessage

The response WSDL message for the **MaintenanceJob** WSDL operation.

The SOAP body contains the **MaintenanceJobResponse** element.

### 3.1.4.20.2 Elements

The following table summarizes the XML schema element definitions that are specific to this operation.

Element	Description
<b>MaintenanceJob</b>	The input data for the <b>MaintenanceJob</b> WSDL operation.
<b>MaintenanceJobResponse</b>	The result data for the <b>MaintenanceJob</b> WSDL operation.

#### 3.1.4.20.2.1 MaintenanceJob

The **MaintenanceJob** element specifies the input data for the **MaintenanceJob** WSDL operation.

```
<xs:element name="MaintenanceJob" xmlns:xs="http://www.w3.org/2001/XMLSchema">  
  <xs:complexType/>  
</xs:element>
```

#### 3.1.4.20.2.2 MaintenanceJobResponse

The **MaintenanceJobResponse** element specifies the result data for the **MaintenanceJob** WSDL operation.

```
<xs:element name="MaintenanceJobResponse" xmlns:xs="http://www.w3.org/2001/XMLSchema">  
  <xs:complexType/>  
</xs:element>
```

### 3.1.4.20.3 Complex Types

None.

### 3.1.4.20.4 Simple Types

None.

### 3.1.4.20.5 Attributes

None.

### 3.1.4.20.6 Groups

None.

### 3.1.4.20.7 Attribute Groups

None.

### 3.1.4.21 RenderFilter

The **RenderFilter** operation generates HTML (as specified by [\[HTML\]](#)) for a specific filter stored on the protocol server. The protocol client specifies which filter is to be rendered, and other parameters that affect the result's HTML content.

```
<wsdl:operation name="RenderFilter" xmlns:wsdl="http://schemas.xmlsoap.org/wsdl/">
  <wsdl:input
    wsam:Action="http://www.microsoft.com/performancepoint/scorecards/IBIMonitoringServiceApplication/RenderFilter" message="tns:IBIMonitoringServiceApplication_RenderFilter_InputMessage"
    xmlns:wsam="http://www.w3.org/2007/05/addressing/metadata"/>
  <wsdl:output
    wsam:Action="http://www.microsoft.com/performancepoint/scorecards/IBIMonitoringServiceApplication/RenderFilterResponse"
    message="tns:IBIMonitoringServiceApplication_RenderFilter_OutputMessage"
    xmlns:wsam="http://www.w3.org/2007/05/addressing/metadata"/>
  <wsdl:fault
    wsam:Action="http://www.microsoft.com/performancepoint/scorecards/IBIMonitoringServiceApplication/RenderFilterBpmExceptionFault" name="BpmExceptionFault"
    message="tns:IBIMonitoringServiceApplication_RenderFilter_BpmExceptionFault_FaultMessage"
    xmlns:wsam="http://www.w3.org/2007/05/addressing/metadata"/>
</wsdl:operation>
```

The protocol client MUST send an **IBIMonitoringServiceApplication\_RenderFilter\_InputMessage** request message (section [3.1.4.21.1.1](#)) and the protocol server MUST respond with an **IBIMonitoringServiceApplication\_RenderFilter\_OutputMessage** response message (section [3.1.4.21.1.2](#)) containing the HTML (as specified by [\[HTML\]](#)) for the filter.

#### Exceptions:

ErrorCode	Description
FCOReadFailed	See section <a href="#">2.2.2.1.3</a> for the common list of error codes.
FCOReadFailedListAccess	See section <a href="#">2.2.2.1.3</a> for the common list of error codes.

In case of any other failure, the **ErrorCode** MUST be one of the values specified in section [2.2.2.1.2](#). For a detailed specification of how exceptions are reported by the protocol server, see section [2.2.2.1](#).

### 3.1.4.21.1 Messages

The following table summarizes the set of WSDL message definitions that are specific to this operation.

Message	Description
<b>IBIMonitoringServiceApplication_RenderFilter_InputMessage</b>	The request WSDL message for the <b>RenderFilter</b> WSDL operation.

Message	Description
<b>IBIMonitoringServiceApplication_RenderFilter_OutputMessage</b>	The response WSDL message for the <b>RenderFilter</b> WSDL operation.

### 3.1.4.21.1.1 IBIMonitoringServiceApplication\_RenderFilter\_InputMessage

The request WSDL message for the **RenderFilter** WSDL operation.

The SOAP action value is:

```
http://www.microsoft.com/performancepoint/scorecards/IBIMonitoringServiceApplication/RenderFilter
```

The SOAP body contains the **RenderFilter** element.

### 3.1.4.21.1.2 IBIMonitoringServiceApplication\_RenderFilter\_OutputMessage

The response WSDL message for the **RenderFilter** WSDL operation.

The SOAP body contains the **RenderFilterResponse** element.

### 3.1.4.21.2 Elements

The following table summarizes the XML schema element definitions that are specific to this operation.

Element	Description
<b>RenderFilter</b>	The input data for the <b>RenderFilter</b> WSDL operation.
<b>RenderFilterResponse</b>	The result data for the <b>RenderFilter</b> WSDL operation.

#### 3.1.4.21.2.1 RenderFilter

The **RenderFilter** element specifies the input data for the **RenderFilter** WSDL operation.

```
<xs:element name="RenderFilter" xmlns:xs="http://www.w3.org/2001/XMLSchema">
  <xs:complexType>
    <xs:sequence>
      <xs:element minOccurs="0" name="filterLocation" nillable="true"
type="tns:RepositoryLocation"/>
      <xs:element minOccurs="0" name="renderTargetId" nillable="true" type="xs:string"/>
      <xs:element minOccurs="0" name="availableHeight" nillable="true" type="xs:string"/>
      <xs:element minOccurs="0" name="availableWidth" nillable="true" type="xs:string"/>
    </xs:sequence>
  </xs:complexType>
</xs:element>
```

**filterLocation:** Specifies the filter location as defined in **RepositoryLocation** (specified in [\[MS-PPSAS\]](#) section 2.2.4.161). This element MUST NOT be null or empty. It MUST point to a valid filter.

**renderTargetId:** Specifies the identifier of parent element of the rendered html control.

**availableHeight:** Specifies the **Unit** complex type indicating the height available for the filter. This element MUST NOT be null.

**availableWidth:** Specifies the **Unit** complex type indicating the width available for the filter. This element MUST NOT be null.

**webPartContext:** Specifies the Web Part context for the filter to be rendered, as defined in **WebPartContext** (section [2.2.4.20](#)). This element MUST NOT be null.

### 3.1.4.21.2 RenderFilterResponse

The **RenderFilterResponse** element specifies the result data for the **RenderFilter** WSDL operation.

```
<xs:element name="RenderFilterResponse" xmlns:xs="http://www.w3.org/2001/XMLSchema">
  <xs:complexType>
    <xs:sequence>
      <xs:element minOccurs="0" name="html" nillable="true" type="xs:string"/>
      <xs:element minOccurs="0" name="script" nillable="true" type="xs:string"/>
      <xs:element
        xmlns:q1="http://schemas.datacontract.org/2004/07/Microsoft.PerformancePoint.Scorecards"
        minOccurs="0" name="webPartContextUpdate" nillable="true" type="q1:WebPartContextUpdate"/>
    </xs:sequence>
  </xs:complexType>
</xs:element>
```

**html:** Specifies the html for the rendered filter. This element MUST NOT be null or empty.

**script:** Specifies an initialization script that MUST be executed when the HTML is delivered to the browser. This element MAY be null.

**webPartContextUpdate:** Specifies the new Web Part context after rendering the filter, as defined in **WebPartContextUpdate** (section [2.2.4.21](#)). This element MUST NOT be null or empty.

#### 3.1.4.21.3 Complex Types

None.

#### 3.1.4.21.4 Simple Types

None.

#### 3.1.4.21.5 Attributes

None.

#### 3.1.4.21.6 Groups

None.

#### 3.1.4.21.7 Attribute Groups

None.

### 3.1.4.22 RenderReport

The **RenderReport** operation generates HTML markup for a specific report stored on the protocol server. The protocol client specifies which report is to be rendered, and other parameters that affect the result's HTML content.

```
<wsdl:operation name="RenderReport" xmlns:wsdl="http://schemas.xmlsoap.org/wsdl/">
  <wsdl:input
    wsam:Action="http://www.microsoft.com/performancepoint/scorecards/IBIMonitoringServiceApplication/RenderReport" message="tns:IBIMonitoringServiceApplication_RenderReport_InputMessage"
    xmlns:wsam="http://www.w3.org/2007/05/addressing/metadata"/>
  <wsdl:output
    wsam:Action="http://www.microsoft.com/performancepoint/scorecards/IBIMonitoringServiceApplication/RenderReportResponse"
    message="tns:IBIMonitoringServiceApplication_RenderReport_OutputMessage"
    xmlns:wsam="http://www.w3.org/2007/05/addressing/metadata"/>
  <wsdl:fault
    wsam:Action="http://www.microsoft.com/performancepoint/scorecards/IBIMonitoringServiceApplication/RenderReportBpmExceptionFault" name="BpmExceptionFault"
    message="tns:IBIMonitoringServiceApplication_RenderReport_BpmExceptionFault_FaultMessage"
    xmlns:wsam="http://www.w3.org/2007/05/addressing/metadata"/>
</wsdl:operation>
```

The protocol client MUST send an **IBIMonitoringServiceApplication\_RenderReport\_InputMessage** request message (section [3.1.4.22.1.1](#)) and the protocol server MUST respond with an **IBIMonitoringServiceApplication\_RenderReport\_OutputMessage** response message (section [3.1.4.22.1.2](#)) containing the HTML markup for the report.

#### Exceptions:

ErrorCode	Description
FCOReadFailed	See section <a href="#">2.2.2.1.3</a> for the common list of error codes.
FCOReadFailedListAccess	See section <a href="#">2.2.2.1.3</a> for the common list of error codes.

In case of any other failure, the **ErrorCode** MUST be one of the values specified in section [2.2.2.1.2](#). For a detailed specification of how exceptions are reported by the protocol server, see section [2.2.2.1](#).

#### 3.1.4.22.1 Messages

The following table summarizes the set of WSDL message definitions that are specific to this operation.

Message	Description
<b>IBIMonitoringServiceApplication_RenderReport_InputMessage</b>	The request WSDL message for the <b>RenderReport</b> WSDL operation.
<b>IBIMonitoringServiceApplication_RenderReport_OutputMessage</b>	The response WSDL message for the <b>RenderReport</b> WSDL operation.

##### 3.1.4.22.1.1 IBIMonitoringServiceApplication\_RenderReport\_InputMessage

The request WSDL message for the **RenderReport** WSDL operation.

The SOAP action value is:

```
http://www.microsoft.com/performancepoint/scorecards/IBIMonitoringServiceApplication/RenderReport
```

The SOAP body contains the **RenderReport** element.

### 3.1.4.22.1.2 IBIMonitoringServiceApplication\_RenderReport\_OutputMessage

The response WSDL message for the **RenderReport** WSDL operation.

The SOAP body contains the **RenderReportResponse** element.

### 3.1.4.22.2 Elements

The following table summarizes the XML schema element definitions that are specific to this operation.

Element	Description
<b>RenderReport</b>	The input data for the <b>RenderReport</b> WSDL operation.
<b>RenderReportResponse</b>	The result data for the <b>RenderReport</b> WSDL operation.

### 3.1.4.22.2.1 RenderReport

The **RenderReport** element specifies the input data for the **RenderReport** WSDL operation.

```
<xs:element name="RenderReport" xmlns:xs="http://www.w3.org/2001/XMLSchema">
  <xs:complexType>
    <xs:sequence>
      <xs:element minOccurs="0" name="proxyCacheAttempt" type="xs:boolean"/>
      <xs:element minOccurs="0" name="reportLocation" nillable="true"
type="tns:RepositoryLocation"/>
      <xs:element minOccurs="0" name="renderTargetId" nillable="true" type="xs:string"/>
      <xs:element minOccurs="0" name="availableHeight" nillable="true" type="xs:string"/>
      <xs:element minOccurs="0" name="availableWidth" nillable="true" type="xs:string"/>
    </xs:sequence>
  </xs:complexType>
</xs:element>
```

**proxyCacheAttempt:** Specifies whether the render operation SHOULD use the proxy cache.

**reportLocation:** Specifies the report location as defined in **RepositoryLocation** (specified in [\[MS-PPSAS\]](#) section 2.2.4.161). This element MUST NOT be null or empty. It MUST point to a valid report.

**renderTargetId:** Specifies the identifier of the rendered html control. This element MUST NOT be null or empty.

**availableHeight:** Specifies the height available for the report. This element MUST NOT be null. It MUST be a decimal number greater than or equal to zero, followed by a unit type (such as 100px). An empty value specifies an unbounded height.

The unit type MUST be one of the values from the following table.

Unit
px (pixel)
pt (point)
pc (pica)
in (inch)
mm (millimeter)
cm (centimeter)
% (percentage)
em (relative to height of parent's font)
ex (relative to height of letter x on parent's font)

**availableWidth:** Specifies the width available for the report. This element MUST NOT be null. It MUST be a decimal number greater than or equal to zero, followed by a unit type (such as 100px). An empty value specifies an unbounded width.

The unit type MUST be one of the values from the following table.

Unit
px (pixel)
pt (point)
pc (pica)
in (inch)
mm (millimeter)
cm (centimeter)
% (percentage)
em (relative to height of parent's font)
ex (relative to height of letter x on parent's font)

**webPartContext:** Specifies the Web Part context for the report to be rendered, as defined in **WebPartContext** (section [2.2.4.20](#)). This element MUST NOT be null.

**isAccessibilityMode:** Specifies whether the report needs to be rendered in accessibility mode.

### 3.1.4.22.2 RenderReportResponse

The **RenderReportResponse** element specifies the result data for the **RenderReport** WSDL operation.

```
<xs:element name="RenderReportResponse" xmlns:xs="http://www.w3.org/2001/XMLSchema">
  <xs:complexType>
    <xs:sequence>
      <xs:element minOccurs="0" name="proxyCacheKey" nillable="true" type="xs:string"/>
      <xs:element
        xmlns:q19="http://schemas.datacontract.org/2004/07/Microsoft.PerformancePoint.Scorecards.Serv
```

```

erCommon" minOccurs="0" name="proxyCacheSubs" nillable="true"
type="q19:ArrayOfSubstitutionPair"/>
  <xs:element minOccurs="0" name="proxyCacheExpiration" type="xs:dateTime"/>
  <xs:element minOccurs="0" name="html" nillable="true" type="xs:string"/>
  <xs:element minOccurs="0" name="script" nillable="true" type="xs:string"/>
  <xs:element
xmlns:q1="http://schemas.datacontract.org/2004/07/Microsoft.PerformancePoint.Scorecards"
minOccurs="0" name="webPartContextUpdate" nillable="true" type="q1:WebPartContextUpdate"/>
  </xs:sequence>
</xs:complexType>
</xs:element>

```

**proxyCacheKey:** Specifies the cache key associated with the render report. This element MUST NOT be null. An empty value means the result was not cached.

**proxyCacheSubs:** The HTML (as specified by [\[HTML\]](#)) MAY contain placeholders for dynamic information. The **proxyCachSubs** property specifies a list of value pairs (name and value of the placeholder), as defined in **ArrayOfSubstitutionPair** (section [2.2.4.2](#)). The protocol client MUST apply the substitution pairs to the rendered HTML if the result was cached.

**proxyCacheExpiration:** Specifies a **DateTime** value for when the cached value expires. The value "DateTime.MinValue" means the result was not cached.

**html:** Specifies the HTML for the rendered report.

**script:** Specifies an initialization script that MUST be executed when the HTML (as specified by [\[HTML\]](#)) is delivered to the browser.

**webPartContextUpdate:** Specifies the new Web Part context after rendering the report, as defined in **WebPartContextUpdate** (section [2.2.4.21](#)). This element MUST NOT be null.

### 3.1.4.22.3 Complex Types

None.

### 3.1.4.22.4 Simple Types

None.

### 3.1.4.22.5 Attributes

None.

### 3.1.4.22.6 Groups

None.

### 3.1.4.22.7 Attribute Groups

None.

## 3.1.4.23 RenderScorecard

The **RenderScorecard** operation generates HTML markup for a specific scorecard stored on the protocol server. The protocol client specifies which scorecard is to be rendered, and other parameters that affect the result's HTML content.

```
<wsdl:operation name="RenderScorecard" xmlns:wsdl="http://schemas.xmlsoap.org/wsdl/">
```



```

    <wsdl:input
wsam:Action="http://www.microsoft.com/performancepoint/scorecards/IBIMonitoringServiceApplica
tion/RenderScorecard"
message="tns:IBIMonitoringServiceApplication_RenderScorecard_InputMessage"
xmlns:wsam="http://www.w3.org/2007/05/addressing/metadata"/>
    <wsdl:output
wsam:Action="http://www.microsoft.com/performancepoint/scorecards/IBIMonitoringServiceApplica
tion/RenderScorecardResponse"
message="tns:IBIMonitoringServiceApplication_RenderScorecard_OutputMessage"
xmlns:wsam="http://www.w3.org/2007/05/addressing/metadata"/>
    <wsdl:fault
wsam:Action="http://www.microsoft.com/performancepoint/scorecards/IBIMonitoringServiceApplica
tion/RenderScorecardBpmExceptionFault" name="BpmExceptionFault"
message="tns:IBIMonitoringServiceApplication_RenderScorecard_BpmExceptionFault_FaultMessage"
xmlns:wsam="http://www.w3.org/2007/05/addressing/metadata"/>
</wsdl:operation>

```

The protocol client MUST send an **IBIMonitoringServiceApplication\_RenderScorecard\_InputMessage** request message (section [3.1.4.23.1.1](#)) and the protocol server MUST respond with an **IBIMonitoringServiceApplication\_RenderScorecard\_OutputMessage** response message (section [3.1.4.23.1.2](#)) containing the HTML markup for the scorecard.

#### Exceptions:

ErrorCode	Description
FCOReadFailed	See section <a href="#">2.2.2.1.3</a> for the common list of error codes.
FCOReadFailedListAccess	See section <a href="#">2.2.2.1.3</a> for the common list of error codes.

In case of any other failure, the **ErrorCode** MUST be one of the values specified in section [2.2.2.1.2](#). For a detailed specification of how exceptions are reported by the protocol server, see section [2.2.2.1](#).

### 3.1.4.23.1 Messages

The following table summarizes the set of WSDL message definitions that are specific to this operation.

Message	Description
<b>IBIMonitoringServiceApplication_RenderScorecard_InputMessage</b>	The request WSDL message for the <b>RenderScorecard</b> WSDL operation.
<b>IBIMonitoringServiceApplication_RenderScorecard_OutputMessage</b>	The response WSDL message for the <b>RenderScorecard</b> WSDL operation.

#### 3.1.4.23.1.1 IBIMonitoringServiceApplication\_RenderScorecard\_InputMessage

The request WSDL message for the **RenderScorecard** WSDL operation.

The SOAP action value is:

http://www.microsoft.com/performancepoint/scorecards/IBIMonitoringServiceApplication/RenderScorecard

The SOAP body contains the **RenderScorecard** element.

### 3.1.4.23.1.2 IBIMonitoringServiceApplication\_RenderScorecard\_OutputMessage

The response WSDL message for the **RenderScorecard** WSDL operation.

The SOAP body contains the **RenderScorecardResponse** element.

### 3.1.4.23.2 Elements

The following table summarizes the XML schema element definitions that are specific to this operation.

Element	Description
<b>RenderScorecard</b>	The input data for the <b>RenderScorecard</b> WSDL operation.
<b>RenderScorecardResponse</b>	The result data for the <b>RenderScorecard</b> WSDL operation.

#### 3.1.4.23.2.1 RenderScorecard

The **RenderScorecard** element specifies the input data for the **RenderScorecard** WSDL operation.

```
<xs:element name="RenderScorecard" xmlns:xs="http://www.w3.org/2001/XMLSchema">
  <xs:complexType>
    <xs:sequence>
      <xs:element minOccurs="0" name="proxyCacheAttempt" type="xs:boolean"/>
      <xs:element minOccurs="0" name="scorecardLocation" nillable="true"
type="tns:RepositoryLocation"/>
      <xs:element minOccurs="0" name="renderTargetId" nillable="true" type="xs:string"/>
      <xs:element minOccurs="0" name="availableHeight" nillable="true" type="xs:string"/>
      <xs:element minOccurs="0" name="availableWidth" nillable="true" type="xs:string"/>
      <xs:element
xmlns:q1="http://schemas.datacontract.org/2004/07/Microsoft.PerformancePoint.Scorecards"
minOccurs="0" name="webPartContext" nillable="true" type="q1:WebPartContext"/>
      <xs:element minOccurs="0" name="isAccessibilityMode" type="xs:boolean"/>
    </xs:sequence>
  </xs:complexType>
</xs:element>
```

**proxyCacheAttempt:** Specifies whether the render operation SHOULD use the proxy cache.

**scorecardLocation:** The location of a scorecard location as specified by **RepositoryLocation** (specified in [\[MS-PPSAS\]](#) section 2.2.4.161). This element MUST be present.

**renderTargetId:** Specifies the identifier of the rendered html control. This element MUST NOT be null or empty.

**availableHeight:** Specifies the height available for the scorecard. This element MUST NOT be null. It MUST be a decimal number greater than or equal to zero, followed by a unit type (such as 100px). An empty value specifies an unbounded height.

The unit type MUST be one of the values from the following table.

Unit
px (pixel)
pt (point)
pc (pica)
in (inch)
mm (millimeter)
cm (centimeter)
% (percentage)
em (relative to height of parent's font)
ex (relative to height of letter x on parent's font)

**availableWidth:** Specifies the width available for the scorecard. This element MUST NOT be null. It MUST be a decimal number greater than or equal zero, followed by a unit type (such as 100px). An empty value specifies an unbounded width.

The unit type MUST be one of the values from the following table.

Unit
px (pixel)
pt (point)
pc (pica)
in (inch)
mm (millimeter)
cm (centimeter)
% (percentage)
em (relative to height of parent's font)
ex (relative to height of letter x on parent's font)

**webPartContext:** Specifies the Web Part context for the scorecard to be rendered, as defined in **WebPartContext** (section [2.2.4.20](#)). This element MUST NOT be null.

**isAccessibilityMode:** Specifies whether the scorecard needs to be rendered in accessibility mode, or not.

### 3.1.4.23.2.2 RenderScorecardResponse

The **RenderScorecardResponse** element specifies the result data for the **RenderScorecard** WSDL operation.

```
<xs:element name="RenderScorecardResponse" xmlns:xs="http://www.w3.org/2001/XMLSchema">
  <xs:complexType>
    <xs:sequence>
```

```

    <xs:element minOccurs="0" name="proxyCacheKey" nillable="true" type="xs:string"/>
  </xs:element>
  xmlns:q19="http://schemas.datacontract.org/2004/07/Microsoft.PerformancePoint.Scorecards.ServerCommon" minOccurs="0" name="proxyCacheSubs" nillable="true"
  type="q19:ArrayOfSubstitutionPair"/>
  <xs:element minOccurs="0" name="proxyCacheExpiration" type="xs:dateTime"/>
  <xs:element minOccurs="0" name="html" nillable="true" type="xs:string"/>
  <xs:element minOccurs="0" name="script" nillable="true" type="xs:string"/>
  </xs:element>
  xmlns:q1="http://schemas.datacontract.org/2004/07/Microsoft.PerformancePoint.Scorecards"
  minOccurs="0" name="webPartContextUpdate" nillable="true" type="q1:WebPartContextUpdate"/>
  </xs:sequence>
</xs:complexType>
</xs:element>

```

**proxyCacheKey:** Specifies the cache key associated with the rendered scorecard. This element MUST NOT be null. An empty value means the result was not cached.

**proxyCacheSubs:** The HTML (as specified by [HTML]) MAY contain placeholders for dynamic information. The **proxyCacheSubs** property specifies a list of value pairs (placeholder name and value for placeholder), as defined in **ArrayOfSubstitutionPair** (section [2.2.4.6](#)). The protocol client MUST apply the substitution pairs to the rendered html if the result was cached.

**proxyCacheExpiration:** Specifies a DateTime value for when the cached value expires. The value "DateTime.MinValue" means the result was not cached.

**html:** Specifies the HTML (as specified by [HTML]) for the rendered scorecard.

**script:** Specifies an initialization script that MUST be executed when the HTML (as specified by [HTML]) is delivered to the browser.

**webPartContextUpdate:** Specifies the new Web Part context after rendering the scorecard, as defined in **WebPartContextUpdate** (section [2.2.4.21](#)). This element MUST NOT be null.

### 3.1.4.23.3 Complex Types

None.

### 3.1.4.23.4 Simple Types

None.

### 3.1.4.23.5 Attributes

None.

### 3.1.4.23.6 Groups

None.

### 3.1.4.23.7 Attribute Groups

None.

## 3.1.4.24 RenderScorecardAjaxControl

The **RenderScorecardAjaxControl** operation generates scorecard Web control HTML markup for a specific list item stored on the protocol server. The client specifies which list item is to be rendered, which Web control to use to render it, and other parameters that affect the result's HTML content.

```

<wsdl:operation name="RenderScorecardAjaxControl"
xmlns:wsdl="http://schemas.xmlsoap.org/wsdl/">
  <wsdl:input
wsam:Action="http://www.microsoft.com/performancepoint/scorecards/IBIMonitoringServiceApplication/RenderScorecardAjaxControl"
message="tns:IBIMonitoringServiceApplication RenderScorecardAjaxControl InputMessage"
xmlns:wsam="http://www.w3.org/2007/05/addressing/metadata"/>
  <wsdl:output
wsam:Action="http://www.microsoft.com/performancepoint/scorecards/IBIMonitoringServiceApplication/RenderScorecardAjaxControlResponse"
message="tns:IBIMonitoringServiceApplication RenderScorecardAjaxControl OutputMessage"
xmlns:wsam="http://www.w3.org/2007/05/addressing/metadata"/>
  <wsdl:fault
wsam:Action="http://www.microsoft.com/performancepoint/scorecards/IBIMonitoringServiceApplication/RenderScorecardAjaxControlBpmExceptionFault" name="BpmExceptionFault"
message="tns:IBIMonitoringServiceApplication RenderScorecardAjaxControl_BpmExceptionFault_FaultMessage" xmlns:wsam="http://www.w3.org/2007/05/addressing/metadata"/>
</wsdl:operation>

```

The protocol client MUST send an **IBIMonitoringServiceApplication\_RenderScorecardAjaxControl\_InputMessage** request message (section [3.1.4.24.1.1](#)) and the protocol server MUST respond with an **IBIMonitoringServiceApplication\_RenderScorecardAjaxControl\_OutputMessage** response message (section [3.1.4.24.1.2](#)) containing the HTML markup for the list item.

If there was an application error on the protocol server during the operation, the protocol server MUST return a SOAP fault response, which MAY contain any subcode.

### 3.1.4.24.1 Messages

The following table summarizes the set of WSDL message definitions that are specific to this operation.

Message	Description
<b>IBIMonitoringServiceApplication_RenderScorecardAjaxControl_InputMessage</b>	The request WSDL message for the <b>RenderScorecardAjaxControl</b> WSDL operation.
<b>IBIMonitoringServiceApplication_RenderScorecardAjaxControl_OutputMessage</b>	The response WSDL message for the <b>RenderScorecardAjaxControl</b> WSDL operation.

#### 3.1.4.24.1.1 IBIMonitoringServiceApplication\_RenderScorecardAjaxControl\_InputMessage

The request WSDL message for the **RenderScorecardAjaxControl** WSDL operation.

The SOAP action value is:

```

http://www.microsoft.com/performancepoint/scorecards/IBIMonitoringServiceApplication/RenderScorecardAjaxControl

```

The SOAP body contains the **RenderScorecardAjaxControl** element.

### 3.1.4.24.1.2 IBIMonitoringServiceApplication\_RenderScorecardAjaxControl\_OutputMessage

The response WSDL message for the **RenderScorecardAjaxControl** WSDL operation.

The SOAP body contains the **RenderScorecardAjaxControlResponse** element.

#### 3.1.4.24.2 Elements

The following table summarizes the XML schema element definitions that are specific to this operation.

Element	Description
<b>RenderScorecardAjaxControl</b>	The input data for the <b>RenderScorecardAjaxControl</b> WSDL operation.
<b>RenderScorecardAjaxControlResponse</b>	The result data for the <b>RenderScorecardAjaxControl</b> WSDL operation.

##### 3.1.4.24.2.1 RenderScorecardAjaxControl

The **RenderScorecardAjaxControl** element specifies the input data for the **RenderScorecardAjaxControl** WSDL operation.

```
<xs:element name="RenderScorecardAjaxControl" xmlns:xs="http://www.w3.org/2001/XMLSchema">
  <xs:complexType>
    <xs:sequence>
      <xs:element minOccurs="0" name="scorecardLocation" nillable="true"
type="tns:RepositoryLocation"/>
      <xs:element minOccurs="0" name="renderTargetId" nillable="true" type="xs:string"/>
      <xs:element minOccurs="0" name="scorecardControlId" nillable="true" type="xs:string"/>
      <xs:element minOccurs="0" name="scorecardControlType" nillable="true"
type="xs:string"/>
      <xs:element
xmlns:q1="http://schemas.datacontract.org/2004/07/Microsoft.PerformancePoint.Scorecards"
minOccurs="0" name="webPartContext" nillable="true" type="q1:WebPartContext"/>
    </xs:sequence>
  </xs:complexType>
</xs:element>
```

**scorecardLocation:** The location of a scorecard as specified by **RepositoryLocation** (specified in [\[MS-PPSAS\]](#) section 2.2.4.161). This element **MUST** be present.

**renderTargetId:** The unique identifier assigned to the scorecard Web Part.

**scorecardControlId:** The HTML element container where the rendered scorecard markup is written.

**scorecardControlType:** The strong assembly name of the Web control implementation. This is used to create a new web control instance.

**webPartContext:** Specifies the current context of the Web Part, as defined in **WebPartContext** (section [2.2.4.20](#)).

##### 3.1.4.24.2.2 RenderScorecardAjaxControlResponse

The **RenderScorecardAjaxControlResponse** element specifies the result data for the **RenderScorecardAjaxControl** WSDL operation.

```

<xs:element name="RenderScorecardAjaxControlResponse"
xmlns:xs="http://www.w3.org/2001/XMLSchema">
  <xs:complexType>
    <xs:sequence>
      <xs:element minOccurs="0" name="html" nillable="true" type="xs:string"/>
      <xs:element
xmlns:q1="http://schemas.datacontract.org/2004/07/Microsoft.PerformancePoint.Scorecards"
minOccurs="0" name="webPartContextUpdate" nillable="true" type="q1:WebPartContextUpdate"/>
    </xs:sequence>
  </xs:complexType>
</xs:element>

```

**html:** The scorecard rendered HTML markup.

**webPartContextUpdate:** Specifies the new Web Part context after rendering the filter, as defined in **WebPartContextUpdate** (section [2.2.4.21](#)).

### 3.1.4.24.3 Complex Types

None.

### 3.1.4.24.4 Simple Types

None.

### 3.1.4.24.5 Attributes

None.

### 3.1.4.24.6 Groups

None.

### 3.1.4.24.7 Attribute Groups

None.

### 3.1.4.25 RenderTreeMemberSelector

The **RenderTreeMemberSelector** operation is deprecated from the protocol and SHOULD NOT [<13>](#) be used.

```

<wsdl:operation name="RenderTreeMemberSelector"
xmlns:wsdl="http://schemas.xmlsoap.org/wsdl/">
  <wsdl:input
wsam:Action="http://www.microsoft.com/performancepoint/scorecards/IBIMonitoringServiceApplica
tion/RenderTreeMemberSelector"
message="tns:IBIMonitoringServiceApplication_RenderTreeMemberSelector_InputMessage"
xmlns:wsam="http://www.w3.org/2007/05/addressing/metadata"/>
  <wsdl:output
wsam:Action="http://www.microsoft.com/performancepoint/scorecards/IBIMonitoringServiceApplica
tion/RenderTreeMemberSelectorResponse"
message="tns:IBIMonitoringServiceApplication_RenderTreeMemberSelector_OutputMessage"
xmlns:wsam="http://www.w3.org/2007/05/addressing/metadata"/>
</wsdl:operation>

```

### 3.1.4.25.1 Messages

The following table summarizes the set of WSDL message definitions that are specific to this operation.

Message	Description
<b>IBIMonitoringServiceApplication_RenderTreeMemberSelector_InputMessage</b>	The request WSDL message for the <b>RenderTreeMemberSelector</b> WSDL operation.
<b>IBIMonitoringServiceApplication_RenderTreeMemberSelector_OutputMessage</b>	The response WSDL message for the <b>RenderTreeMemberSelector</b> WSDL operation.

### 3.1.4.25.1.1 IBIMonitoringServiceApplication\_RenderTreeMemberSelector\_InputMessage

The request WSDL message for the **RenderTreeMemberSelector** WSDL operation.

The SOAP action value is:

```
http://www.microsoft.com/performancepoint/scorecards/IBIMonitoringServiceApplication/RenderTreeMemberSelector
```

The SOAP body contains the **RenderTreeMemberSelector** element.

### 3.1.4.25.1.2 IBIMonitoringServiceApplication\_RenderTreeMemberSelector\_OutputMessage

The response WSDL message for the **RenderTreeMemberSelector** WSDL operation.

The SOAP body contains the **RenderTreeMemberSelectorResponse** element.

### 3.1.4.25.2 Elements

The following table summarizes the XML schema element definitions that are specific to this operation.

Element	Description
<b>RenderTreeMemberSelector</b>	The input data for the <b>RenderTreeMemberSelector</b> WSDL operation.
<b>RenderTreeMemberSelectorResponse</b>	The result data for the <b>RenderTreeMemberSelector</b> WSDL operation.

### 3.1.4.25.2.1 RenderTreeMemberSelector

The **RenderTreeMemberSelector** element specifies the input data for the **RenderTreeMemberSelector** WSDL operation.

```
<xs:element name="RenderTreeMemberSelector" xmlns:xs="http://www.w3.org/2001/XMLSchema">
  <xs:complexType>
    <xs:sequence>
```



```

    <xs:element minOccurs="0" maxOccurs="1" name="dataSource" type="tns:DataSource"/>
    <xs:element minOccurs="0" maxOccurs="1" name="memberUniqueName" type="xs:string"/>
    <xs:element minOccurs="0" maxOccurs="1" name="dimensionUniqueName" type="xs:string"/>
    <xs:element minOccurs="0" maxOccurs="1" name="selectedMemberNamesStr"
type="xs:string"/>
    <xs:element minOccurs="0" maxOccurs="1" name="clientInstance" type="xs:string"/>
    <xs:element minOccurs="0" maxOccurs="1" name="targetControlId" type="xs:string"/>
    <xs:element minOccurs="1" maxOccurs="1" name="index" type="xs:int"/>
    <xs:element minOccurs="1" maxOccurs="1" name="maxNumRecordsToRender" type="xs:int"/>
    <xs:element minOccurs="0" maxOccurs="1" name="resourcePath" type="xs:string"/>
    <xs:element minOccurs="0" maxOccurs="1" name="displayTreeHeaderFlagStr"
type="xs:string"/>
    <xs:element minOccurs="0" maxOccurs="1" name="displayTreeFooterFlagStr"
type="xs:string"/>
  </xs:sequence>
</xs:complexType>
</xs:element>

```

**dataSource:** None.

**memberUniqueName:** None.

**dimensionUniqueName:** None.

**selectedMemberNamesStr:** None.

**clientInstance:** None.

**targetControlId:** None.

**index:** None.

**maxNumRecordsToRender:** None.

**resourcePath:** None.

**displayTreeHeaderFlagStr:** None.

**displayTreeFooterFlagStr:** None.

### 3.1.4.25.2.2 RenderTreeMemberSelectorResponse

The **RenderTreeMemberSelectorResponse** element specifies the result data for the **RenderTreeMemberSelector** WSDL operation.

```

<xs:element name="RenderTreeMemberSelectorResponse"
xmlns:xs="http://www.w3.org/2001/XMLSchema">
  <xs:complexType>
    <xs:sequence>
      <xs:element minOccurs="0" maxOccurs="1" name="RenderTreeMemberSelectorResult"
type="xs:string"/>
    </xs:sequence>
  </xs:complexType>
</xs:element>

```

**RenderTreeMemberSelectorResult:** None.

### 3.1.4.25.3 Complex Types

None.

### 3.1.4.25.4 Simple Types

None.

### 3.1.4.25.5 Attributes

None.

### 3.1.4.25.6 Groups

None.

### 3.1.4.25.7 Attribute Groups

None.

## 3.1.4.26 ReportSupportsExportFormat

The **ReportSupportsExportFormat** operation determines whether a report supports the specified export format.

```
<wsdl:operation name="ReportSupportsExportFormat"
  xmlns:wsdl="http://schemas.xmlsoap.org/wsdl/">
  <wsdl:input
    wsam:Action="http://www.microsoft.com/performancepoint/scorecards/IBIMonitoringServiceApplication/ReportSupportsExportFormat"
    message="tns:IBIMonitoringServiceApplication_ReportSupportsExportFormat_InputMessage"
    xmlns:wsam="http://www.w3.org/2007/05/addressing/metadata"/>
  <wsdl:output
    wsam:Action="http://www.microsoft.com/performancepoint/scorecards/IBIMonitoringServiceApplication/ReportSupportsExportFormatResponse"
    message="tns:IBIMonitoringServiceApplication_ReportSupportsExportFormat_OutputMessage"
    xmlns:wsam="http://www.w3.org/2007/05/addressing/metadata"/>
  <wsdl:fault
    wsam:Action="http://www.microsoft.com/performancepoint/scorecards/IBIMonitoringServiceApplication/ReportSupportsExportFormatBpmExceptionFault" name="BpmExceptionFault"
    message="tns:IBIMonitoringServiceApplication_ReportSupportsExportFormat_BpmExceptionFault_FaultMessage" xmlns:wsam="http://www.w3.org/2007/05/addressing/metadata"/>
</wsdl:operation>
```

The protocol client sends an **IBIMonitoringServiceApplication\_ReportSupportsExportFormat\_InputMessage** request message (section [3.1.4.26.1.1](#)) and the protocol server responds with an **IBIMonitoringServiceApplication\_ReportSupportsExportFormat\_OutputMessage** response message (section [3.1.4.26.1.2](#)) as follows:

1. The protocol server receives the **ExportFormat** (section [2.2.5.1](#)).
2. The protocol server receives the **RepositoryLocation** of a **ReportView** (specified in [\[MS-PPSAS\]](#) section 2.2.4.160).
3. The protocol server MUST return "true" or "false", as specified in section [3.1.4.24.2.2](#).

### 3.1.4.26.1 Messages

The following table summarizes the set of WSDL message definitions that are specific to this operation.

Message	Description
<b>IBIMonitoringServiceApplication_ReportSupportsExportFormat_InputMessage</b>	The request WSDL message for the <b>ReportSupportsExportFormat</b> WSDL operation.
<b>IBIMonitoringServiceApplication_ReportSupportsExportFormat_OutputMessage</b>	The response WSDL message for the <b>ReportSupportsExportFormat</b> WSDL operation.

### 3.1.4.26.1.1 IBIMonitoringServiceApplication\_ReportSupportsExportFormat\_InputMessage

The request WSDL message for the **ReportSupportsExportFormat** WSDL operation.

The SOAP action value is:

```
http://www.microsoft.com/performancepoint/scorecards/IBIMonitoringServiceApplication/ReportSupportsExportFormat
```

The SOAP body contains the **ReportSupportsExportFormat** element.

### 3.1.4.26.1.2 IBIMonitoringServiceApplication\_ReportSupportsExportFormat\_OutputMessage

The response WSDL message for the **ReportSupportsExportFormat** WSDL operation.

The SOAP body contains the **ReportSupportsExportFormatResponse** element.

### 3.1.4.26.2 Elements

The following table summarizes the XML schema element definitions that are specific to this operation.

Element	Description
<b>ReportSupportsExportFormat</b>	The input data for the <b>ReportSupportsExportFormat</b> WSDL operation.
<b>ReportSupportsExportFormatResponse</b>	The result data for the <b>ReportSupportsExportFormat</b> WSDL operation.

#### 3.1.4.26.2.1 ReportSupportsExportFormat

The **ReportSupportsExportFormat** element specifies the input data for the **ReportSupportsExportFormat** WSDL operation.

```
<xs:element name="ReportSupportsExportFormat" xmlns:xs="http://www.w3.org/2001/XMLSchema">
  <xs:complexType>
    <xs:sequence>
      <xs:element minOccurs="1" maxOccurs="1" name="itemFormat" type="tns:ExportFormat"/>
      <xs:element minOccurs="0" maxOccurs="1" name="reportLocation"
type="tns:RepositoryLocation"/>
    
```

```
</xs:sequence>
</xs:complexType>
</xs:element>
```

**itemFormat:** The export format as specified by **ExportFormat** (section [2.2.5.1](#)). This element MUST be present.

**reportLocation:** The location of a report as specified by **RepositoryLocation** (specified in [\[MS-PPSAS\]](#) section 2.2.4.161). The element MUST be present.

### 3.1.4.26.2 ReportSupportsExportFormatResponse

The **ReportSupportsExportFormatResponse** element specifies the result data for the **ReportSupportsExportFormat** WSDL operation.

```
<xs:element name="ReportSupportsExportFormatResponse"
  xmlns:xs="http://www.w3.org/2001/XMLSchema">
  <xs:complexType>
    <xs:sequence>
      <xs:element minOccurs="1" maxOccurs="1" name="ReportSupportsExportFormatResult"
        type="xs:boolean"/>
    </xs:sequence>
  </xs:complexType>
</xs:element>
```

**ReportSupportsExportFormatResult:** A value of TRUE indicates that the report supports the export format; a value of FALSE indicates that it does not.

### 3.1.4.26.3 Complex Types

None.

### 3.1.4.26.4 Simple Types

None.

### 3.1.4.26.5 Attributes

None.

### 3.1.4.26.6 Groups

None.

### 3.1.4.26.7 Attribute Groups

None.

### 3.1.4.27 SaveFilterValues

The **SaveFilterValues** operation saves the state of selections made for a given filter.

```
<wsdl:operation name="SaveFilterValues" xmlns:wsdl="http://schemas.xmlsoap.org/wsdl/">
  <wsdl:input
    wsam:Action="http://www.microsoft.com/performancepoint/scorecards/IBIMonitoringServiceApplication/SaveFilterValues"
  >
```

```

message="tns:IBIMonitoringServiceApplication_SaveFilterValues_InputMessage"
xmlns:wsam="http://www.w3.org/2007/05/addressing/metadata"/>
  <wsdl:output
wsam:Action="http://www.microsoft.com/performancepoint/scorecards/IBIMonitoringServiceApplica
tion/SaveFilterValuesResponse"
message="tns:IBIMonitoringServiceApplication_SaveFilterValues_OutputMessage"
xmlns:wsam="http://www.w3.org/2007/05/addressing/metadata"/>
  <wsdl:fault
wsam:Action="http://www.microsoft.com/performancepoint/scorecards/IBIMonitoringServiceApplica
tion/SaveFilterValuesBpmExceptionFault" name="BpmExceptionFault"
message="tns:IBIMonitoringServiceApplication_SaveFilterValues_BpmExceptionFault_FaultMessage"
xmlns:wsam="http://www.w3.org/2007/05/addressing/metadata"/>
</wsdl:operation>

```

The protocol client sends an **IBIMonitoringServiceApplication\_SaveFilterValues\_InputMessage** request message (section [3.1.4.27.1.1](#)) and the protocol server responds with an **IBIMonitoringServiceApplication\_SaveFilterValue\_OutputMessage** response message (section [3.1.4.27.1.2](#)) as follows:

1. The protocol client sends the repository for the filter, the filter definition, and an array of strings representing the selected filter values.
2. In the event the setting cannot be updated, the protocol server MUST return a **FaultException** response, as detailed in section [2.2.2.1](#).

### 3.1.4.27.1 Messages

The following table summarizes the set of WSDL message definitions that are specific to this operation.

Message	Description
<b>IBIMonitoringServiceApplication_SaveFilterValues_InputMessage</b>	The request WSDL message for the <b>SaveFilterValues</b> WSDL operation.
<b>IBIMonitoringServiceApplication_SaveFilterValues_OutputMessage</b>	The response WSDL message for the <b>SaveFilterValues</b> WSDL operation.

#### 3.1.4.27.1.1 IBIMonitoringServiceApplication\_SaveFilterValues\_InputMessage

The request WSDL message for the **SaveFilterValues** WSDL operation.

The SOAP action value is:

```

http://www.microsoft.com/performancepoint/scorecards/IBIMonitoringServiceApplication/SaveFilterValues

```

The SOAP body contains the **SaveFilterValues** element.

#### 3.1.4.27.1.2 IBIMonitoringServiceApplication\_SaveFilterValues\_OutputMessage

The response WSDL message for the **SaveFilterValues** WSDL operation.

The SOAP body contains the **SaveFilterValuesResponse** element.

### 3.1.4.27.2 Elements

The following table summarizes the XML schema element definitions that are specific to this operation.

Element	Description
<b>SaveFilterValues</b>	The input data for the <b>SaveFilterValues</b> WSDL operation.
<b>SaveFilterValuesResponse</b>	The result data for the <b>SaveFilterValues</b> WSDL operation.

### 3.1.4.27.2.1 SaveFilterValues

The **SaveFilterValues** element specifies the input data for the **SaveFilterValues** WSDL operation.

```
<xs:element name="SaveFilterValues" xmlns:xs="http://www.w3.org/2001/XMLSchema">
  <xs:complexType>
    <xs:sequence>
      <xs:element minOccurs="0" maxOccurs="1" name="elementLocation"
type="tns:RepositoryLocation"/>
      <xs:element minOccurs="0" maxOccurs="1" name="parameterDefinition"
type="tns:ParameterDefinition"/>
      <xs:element minOccurs="0" maxOccurs="1" name="selections" type="tns:ArrayOfString"/>
    </xs:sequence>
  </xs:complexType>
</xs:element>
```

**elementLocation:** MUST be a **RepositoryLocation** (specified in [\[MS-PPSAS\]](#) section 2.2.4.161).

**parameterDefinition:** MUST be a **ParameterDefinition** (specified in [\[MS-PPSAS\]](#) section 2.2.4.155). This element MUST NOT be null.

**selections:** An array of strings representing the value of the filter.

### 3.1.4.27.2.2 SaveFilterValuesResponse

The **SaveFilterValuesResponse** element specifies the result data for the **SaveFilterValues** WSDL operation.

```
<xs:element name="SaveFilterValuesResponse" xmlns:xs="http://www.w3.org/2001/XMLSchema">
  <xs:complexType/>
</xs:element>
```

### 3.1.4.27.3 Complex Types

None.

### 3.1.4.27.4 Simple Types

None.

### 3.1.4.27.5 Attributes

None.

### 3.1.4.27.6 Groups

None.

### 3.1.4.27.7 Attribute Groups

None.

### 3.1.4.28 SaveTemporaryStrategyMapReport

The **SaveTemporaryStrategyMapReport** operation stores a temporary copy of a report view to the server. See **SaveTemporaryAnalyticReport** in [\[MS-PPSAS\]](#) section 3.1.4.65.

```
<wsdl:operation name="SaveTemporaryStrategyMapReport"
xmlns:wsdl="http://schemas.xmlsoap.org/wsdl/">
  <wsdl:input
wsam:Action="http://www.microsoft.com/performancepoint/scorecards/IBIMonitoringServiceApplication/SaveTemporaryStrategyMapReport"
message="tns:IBIMonitoringServiceApplication_SaveTemporaryStrategyMapReport_InputMessage"
xmlns:wsam="http://www.w3.org/2007/05/addressing/metadata"/>
  <wsdl:output
wsam:Action="http://www.microsoft.com/performancepoint/scorecards/IBIMonitoringServiceApplication/SaveTemporaryStrategyMapReportResponse"
message="tns:IBIMonitoringServiceApplication_SaveTemporaryStrategyMapReport_OutputMessage"
xmlns:wsam="http://www.w3.org/2007/05/addressing/metadata"/>
  <wsdl:fault
wsam:Action="http://www.microsoft.com/performancepoint/scorecards/IBIMonitoringServiceApplication/SaveTemporaryStrategyMapReportBpmExceptionFault" name="BpmExceptionFault"
message="tns:IBIMonitoringServiceApplication_SaveTemporaryStrategyMapReport_BpmExceptionFault_FaultMessage" xmlns:wsam="http://www.w3.org/2007/05/addressing/metadata"/>
</wsdl:operation>
```

The protocol client sends an **IBIMonitoringServiceApplication\_SaveTemporaryStrategyMapReport\_InputMessage** request message (section [3.1.4.28.1.1](#)) and the server responds with an **IBIMonitoringServiceApplication\_SaveTemporaryStrategyMapReport\_OutputMessage** response message (section [3.1.4.28.2.2](#)) as follows:

- The protocol client MUST send a **ReportView** complex type, as specified in [\[MS-PPSAS\]](#) section 2.2.4.160.
- If the server contains a **ReportView** where all attributes and elements, except **Location**, equal those of the passed in **ReportView**, the server MUST return the GUID of the **ReportView** on the server. The GUID MUST be equal to the **RepositoryLocation ItemGuid** GUID ([\[MS-PPSAS\]](#) section 2.2.4.161). The stored **ReportView** MUST NOT be altered.
- If the server does not contain a **ReportView** where all attributes and elements, except **Location**, equal those of the passed in **ReportView**, the server MUST store a copy of the **ReportView** and MUST return a unique GUID for it. The server MUST replace the **Location** element for the stored copy with a **Location** element that points to the stored copy. The **Location** element MUST conform to the schema of the **RepositoryLocation** complex type ([\[MS-PPSAS\]](#) section 2.2.4.161), such that the **ItemType** attribute equals **TempReportView**, as specified in the **FirstClassObjectType** simple type ([\[MS-PPSAS\]](#) section 2.2.5.20), and the **ItemGuid** attribute equals the returned GUID.

#### Exceptions:

ErrorCode	Description
InvalidPermission	The report view is invalid.

In case of any other failure, the **ErrorCode** MUST be one of the values specified in section [2.2.2.1.2](#). For a detailed specification of how exceptions are reported by the protocol server, see section [2.2.2.1](#).

### 3.1.4.28.1 Messages

The following table summarizes the set of WSDL message definitions that are specific to this operation.

Message	Description
<b>IBIMonitoringServiceApplication_SaveTemporaryStrategyMapReport_InputMessage</b>	The request WSDL message for the <b>SaveTemporaryStrategyMapReport</b> WSDL operation.
<b>IBIMonitoringServiceApplication_SaveTemporaryStrategyMapReport_OutputMessage</b>	The response WSDL message for the <b>SaveTemporaryStrategyMapReport</b> WSDL operation.

### 3.1.4.28.1.1 IBIMonitoringServiceApplication\_SaveTemporaryStrategyMapReport\_InputMessage

The request WSDL message for the **SaveTemporaryStrategyMapReport** WSDL operation.

The SOAP action value is:

```
http://www.microsoft.com/performancepoint/scorecards/IBIMonitoringServiceApplication/SaveTemporaryStrategyMapReport
```

The SOAP body contains the **SaveTemporaryStrategyMapReport** element.

### 3.1.4.28.1.2 IBIMonitoringServiceApplication\_SaveTemporaryStrategyMapReport\_OutputMessage

The response WSDL message for the **SaveTemporaryStrategyMapReport** WSDL operation.

The SOAP body contains the **SaveTemporaryStrategyMapReportResponse** element.

### 3.1.4.28.2 Elements

The following table summarizes the XML schema element definitions that are specific to this operation.

Element	Description
<b>SaveTemporaryStrategyMapReport</b>	The input data for the <b>SaveTemporaryStrategyMapReport</b> WSDL operation.
<b>SaveTemporaryStrategyMapReportResponse</b>	The result data for the <b>SaveTemporaryStrategyMapReport</b> WSDL operation.

#### 3.1.4.28.2.1 SaveTemporaryStrategyMapReport

The **SaveTemporaryStrategyMapReport** element specifies the input data for the **SaveTemporaryStrategyMapReport** WSDL operation.

```
<xs:element name="SaveTemporaryStrategyMapReport"
xmlns:xs="http://www.w3.org/2001/XMLSchema">
  <xs:complexType>
```



```

    <xs:sequence>
      <xs:element minOccurs="0" maxOccurs="1" name="reportView" type="tns:ReportView"/>
    </xs:sequence>
  </xs:complexType>
</xs:element>

```

**reportView:** The report view to store. MUST be present and MUST conform to the schema of the **ReportView** complex type ([\[MS-PPSAS\]](#) section 2.2.4.160) where the **TypeName** attribute MUST be set to "StrategyMap" and the **CustomData** attribute MUST be set as specified for the "StrategyMap" **TypeName**.

### 3.1.4.28.2.2 SaveTemporaryStrategyMapReportResponse

The **SaveTemporaryStrategyMapReportResponse** element specifies the result data for the **SaveTemporaryStrategyMapReport** WSDL operation.

```

<xs:element name="SaveTemporaryStrategyMapReportResponse"
  xmlns:xs="http://www.w3.org/2001/XMLSchema">
  <xs:complexType>
    <xs:sequence>
      <xs:element xmlns:q2="http://microsoft.com/wsdl/types/" minOccurs="1" maxOccurs="1"
        name="SaveTemporaryStrategyMapReportResult" type="q2:guid"/>
    </xs:sequence>
  </xs:complexType>
</xs:element>

```

**SaveTemporaryStrategyMapReportResult:** A GUID that uniquely identifies the **ReportView** complex type as specified in [\[MS-PPSAS\]](#) section 2.2.4.160, and the values of all attributes and elements except **Location**. MUST be present.

### 3.1.4.28.3 Complex Types

None.

### 3.1.4.28.4 Simple Types

None.

### 3.1.4.28.5 Attributes

None.

### 3.1.4.28.6 Groups

None.

### 3.1.4.28.7 Attribute Groups

None.

### 3.1.4.29 ScorecardSupportsExportFormat

The **ScorecardSupportsExportFormat** operation checks whether a scorecard supports the specified export format.

```

<wsdl:operation name="ScorecardSupportsExportFormat"
  xmlns:wsdl="http://schemas.xmlsoap.org/wsdl/">

```

```

<wsdl:input
wsam:Action="http://www.microsoft.com/performancepoint/scorecards/IBIMonitoringServiceApplication/ScorecardSupportsExportFormat"
message="tns:IBIMonitoringServiceApplication_ScorecardSupportsExportFormat_InputMessage"
xmlns:wsam="http://www.w3.org/2007/05/addressing/metadata"/>
  <wsdl:output
wsam:Action="http://www.microsoft.com/performancepoint/scorecards/IBIMonitoringServiceApplication/ScorecardSupportsExportFormatResponse"
message="tns:IBIMonitoringServiceApplication_ScorecardSupportsExportFormat_OutputMessage"
xmlns:wsam="http://www.w3.org/2007/05/addressing/metadata"/>
  <wsdl:fault
wsam:Action="http://www.microsoft.com/performancepoint/scorecards/IBIMonitoringServiceApplication/ScorecardSupportsExportFormatBpmExceptionFault" name="BpmExceptionFault"
message="tns:IBIMonitoringServiceApplication_ScorecardSupportsExportFormat_BpmExceptionFault_FaultMessage" xmlns:wsam="http://www.w3.org/2007/05/addressing/metadata"/>
</wsdl:operation>

```

The protocol client sends an **IBIMonitoringServiceApplication\_ScorecardSupportsExportFormat\_InputMessage** request message (section [3.1.4.29.1.1](#)) and the protocol server responds with an **IBIMonitoringServiceApplication\_ScorecardSupportsExportFormat\_OutputMessage** response message (section [3.1.4.29.1.2](#)) as follows:

1. The protocol server receives the **ExportFormat** (section [2.2.5.1](#)).
2. The protocol server receives the **RepositoryLocation** of a **Scorecard** (specified in [\[MS-PPSAS\]](#)).
3. The protocol server MUST retrieve "true" or "false".

### 3.1.4.29.1 Messages

The following table summarizes the set of WSDL message definitions that are specific to this operation.

Message	Description
<b>IBIMonitoringServiceApplication_ScorecardSupportsExportFormat_InputMessage</b>	The request WSDL message for the <b>ScorecardSupportsExportFormat</b> WSDL operation.
<b>IBIMonitoringServiceApplication_ScorecardSupportsExportFormat_OutputMessage</b>	The response WSDL message for the <b>ScorecardSupportsExportFormat</b> WSDL operation.

#### 3.1.4.29.1.1 IBIMonitoringServiceApplication\_ScorecardSupportsExportFormat\_Input Message

The request WSDL message for the **ScorecardSupportsExportFormat** WSDL operation.

The SOAP action value is:

```

http://www.microsoft.com/performancepoint/scorecards/IBIMonitoringServiceApplication/ScorecardSupportsExportFormat

```

The SOAP body contains the **ScorecardSupportsExportFormat** element.

### 3.1.4.29.1.2 IBIMonitoringServiceApplication\_ScorecardSupportsExportFormat\_OutputMessage

The response WSDL message for the **ScorecardSupportsExportFormat** WSDL operation.

The SOAP body contains the **ScorecardSupportsExportFormatResponse** element.

### 3.1.4.29.2 Elements

The following table summarizes the XML schema element definitions that are specific to this operation.

Element	Description
<b>ScorecardSupportsExportFormat</b>	The input data for the <b>ScorecardSupportsExportFormat</b> WSDL operation.
<b>ScorecardSupportsExportFormatResponse</b>	The result data for the <b>ScorecardSupportsExportFormat</b> WSDL operation.

#### 3.1.4.29.2.1 ScorecardSupportsExportFormat

The **ScorecardSupportsExportFormat** element specifies the input data for the **ScorecardSupportsExportFormat** WSDL operation.

```
<xs:element name="ScorecardSupportsExportFormat" xmlns:xs="http://www.w3.org/2001/XMLSchema">
  <xs:complexType>
    <xs:sequence>
      <xs:element minOccurs="1" maxOccurs="1" name="itemFormat" type="tns:ExportFormat"/>
      <xs:element minOccurs="0" maxOccurs="1" name="scorecardLocation"
type="tns:RepositoryLocation"/>
    </xs:sequence>
  </xs:complexType>
</xs:element>
```

**itemFormat:** The export format as specified by **ExportFormat** (section [2.2.5.1](#)). This element MUST be present.

**scorecardLocation:** The location of a scorecard as specified by **RepositoryLocation** (specified in [\[MS-PPSAS\]](#) section 2.2.4.161). This element MUST be present.

#### 3.1.4.29.2.2 ScorecardSupportsExportFormatResponse

The **ScorecardSupportsExportFormatResponse** element specifies the result data for the **ScorecardSupportsExportFormat** WSDL operation.

```
<xs:element name="ScorecardSupportsExportFormatResponse"
xmlns:xs="http://www.w3.org/2001/XMLSchema">
  <xs:complexType>
    <xs:sequence>
      <xs:element minOccurs="1" maxOccurs="1" name="ScorecardSupportsExportFormatResult"
type="xs:boolean"/>
    </xs:sequence>
  </xs:complexType>
</xs:element>
```

**ScorecardSupportsExportFormatResult:** A value of TRUE indicates that the scorecard supports the export format; a value of FALSE indicates that it does not.

### 3.1.4.29.3 Complex Types

None.

### 3.1.4.29.4 Simple Types

None.

### 3.1.4.29.5 Attributes

None.

### 3.1.4.29.6 Groups

None.

### 3.1.4.29.7 Attribute Groups

None.

### 3.1.4.30 SearchParameterDisplayData

The **SearchParameterDisplayData** operation [<14>](#) retrieves an object of type **ParameterSearchResultRecord** (section [2.2.4.15](#)) that represents the filter's display data values that contain the specified search term.

```
<wsdl:operation name="SearchParameterDisplayData"
xmlns:wsdl="http://schemas.xmlsoap.org/wsdl/">
  <wsdl:input
wsam:Action="http://www.microsoft.com/performancepoint/scorecards/IBIMonitoringServiceApplication/SearchParameterDisplayData"
message="tns:IBIMonitoringServiceApplication_SearchParameterDisplayData_InputMessage"
xmlns:wsam="http://www.w3.org/2007/05/addressing/metadata"/>
  <wsdl:output
wsam:Action="http://www.microsoft.com/performancepoint/scorecards/IBIMonitoringServiceApplication/SearchParameterDisplayDataResponse"
message="tns:IBIMonitoringServiceApplication_SearchParameterDisplayData_OutputMessage"
xmlns:wsam="http://www.w3.org/2007/05/addressing/metadata"/>
  <wsdl:fault
wsam:Action="http://www.microsoft.com/performancepoint/scorecards/IBIMonitoringServiceApplication/SearchParameterDisplayDataBpmExceptionFault" name="BpmExceptionFault"
message="tns:IBIMonitoringServiceApplication_SearchParameterDisplayData_BpmExceptionFault_FaultMessage" xmlns:wsam="http://www.w3.org/2007/05/addressing/metadata"/>
</wsdl:operation>
```

The protocol client sends an **IBIMonitoringServiceApplication\_SearchParameterDisplayData\_InputMessage** (section [3.1.4.30.1.1](#)) request message and the protocol server responds with an **IBIMonitoringServiceApplication\_SearchParameterDisplayData\_OutputMessage** (section [3.1.4.30.1.2](#)) message as follows:

1. The protocol server receives the input data for a **SearchParameterDisplayData** WSDL operation as specified in section [3.1.4.30.1](#).
2. The protocol server creates the **ParameterSearchResultRecord** (section [2.2.4.15](#)) using the **Filter** ([\[MS-PPSAS\]](#) section [2.2.4.98](#)) **DataSource** and **SubTypeId** referenced by **parameterLocation** (section [3.1.4.30.2.1](#)), the string referenced by **searchTerm** (section [3.1.4.30.2.1](#)) and the **WebPartContext** (section [2.2.4.20](#)) referenced by **webPartContext** (section [3.1.4.30.2.1](#)).

## Exceptions:

ErrorCode	Description
FCOReadFailed	See section <a href="#">2.2.2.1.3</a> for the common list of error codes.
FCOReadFailedListAccess	See section <a href="#">2.2.2.1.3</a> for the common list of error codes.

In case of any other failure, the **ErrorCode** MUST be one of the values specified in section [2.2.2.1.2](#). For a detailed specification of how exceptions are reported by the protocol server, see section [2.2.2.12.2.2.1](#).

### 3.1.4.30.1 Messages

The following table summarizes the set of WSDL message definitions that are specific to this operation.

Message	Description
<b>IBIMonitoringServiceApplication_SearchParameterDisplayData_InputMessage</b>	The request WSDL message for the <b>SearchParameterDisplayData</b> WSDL operation.
<b>IBIMonitoringServiceApplication_SearchParameterDisplayData_OutputMessage</b>	The response WSDL message for the <b>SearchParameterDisplayData</b> WSDL operation.

#### 3.1.4.30.1.1 IBIMonitoringServiceApplication\_SearchParameterDisplayData\_InputMessage

The request WSDL message for the **SearchParameterDisplayData** WSDL operation.

The SOAP action value is:

```
http://www.microsoft.com/performancepoint/scorecards/IBIMonitoringServiceApplication/SearchParameterDisplayData
```

The SOAP body contains the **SearchParameterDisplayData** element.

#### 3.1.4.30.1.2 IBIMonitoringServiceApplication\_SearchParameterDisplayData\_OutputMessage

The response WSDL message for the **SearchParameterDisplayData** WSDL operation.

The SOAP body contains the **SearchParameterDisplayDataResponse** element.

### 3.1.4.30.2 Elements

The following table summarizes the XML schema element definitions that are specific to this operation.

Element	Description
<b>SearchParameterDisplayData</b>	The input data for the <b>SearchParameterDisplayData</b> WSDL operation.

Element	Description
<b>SearchParameterDisplayDataResponse</b>	The result data for the <b>SearchParameterDisplayData</b> WSDL operation.

### 3.1.4.30.2.1 SearchParameterDisplayData

The **SearchParameterDisplayData** element specifies the input data for the **SearchParameterDisplayData** WSDL operation.

```
<xs:element name="SearchParameterDisplayData" xmlns:xs="http://www.w3.org/2001/XMLSchema">
  <xs:complexType>
    <xs:sequence>
      <xs:element minOccurs="0" name="parameterLocation" nillable="true"
type="tns:RepositoryLocation"/>
      <xs:element minOccurs="0" name="searchTerm" nillable="true" type="xs:string"/>
      <xs:element
xmlns:q1="http://schemas.datacontract.org/2004/07/Microsoft.PerformancePoint.Scorecards"
minOccurs="0" name="webPartContext" nillable="true" type="q1:WebPartContext"/>
    </xs:sequence>
  </xs:complexType>
</xs:element>
```

**parameterLocation:** The parameter provider's location, as specified in [\[MS-PPSAS\]](#) section 2.2.4.142.

**searchTerm:** A string representing a word or phrase that will be used to search the parameter's display data.

**webPartContext:** Specifies the current context of a Web Part, as defined in **WebPartContext** section [2.2.4.20](#).

### 3.1.4.30.2.2 SearchParameterDisplayDataResponse

The **SearchParameterDisplayDataResponse** element specifies the result data for the **SearchParameterDisplayData** WSDL operation.

```
<xs:element name="SearchParameterDisplayDataResponse"
xmlns:xs="http://www.w3.org/2001/XMLSchema">
  <xs:complexType>
    <xs:sequence>
      <xs:element
xmlns:q19="http://schemas.datacontract.org/2004/07/Microsoft.PerformancePoint.Scorecards.ServerCommon"
minOccurs="0" name="SearchParameterDisplayDataResult" nillable="true"
type="q19:ParameterSearchResultRecord"/>
    </xs:sequence>
  </xs:complexType>
</xs:element>
```

**SearchParameterDisplayDataResult:** A **ParameterSearchResultRecord** (section [2.2.4.18](#)) value.

### 3.1.4.30.3 Complex Types

None.

### 3.1.4.30.4 Simple Types

None.

### 3.1.4.30.5 Attributes

None.

### 3.1.4.30.6 Groups

None.

### 3.1.4.30.7 Attribute Groups

None.

### 3.1.4.31 UpdateSettingValue

The **UpdateSettingValue** operation modifies the current value of a configuration setting.

```
<wsdl:operation name="UpdateSettingValue" xmlns:wsdl="http://schemas.xmlsoap.org/wsdl/">
  <wsdl:input
    wsam:Action="http://www.microsoft.com/performancepoint/scorecards/IBIMonitoringServiceApplication/UpdateSettingValue"
    message="tns:IBIMonitoringServiceApplication UpdateSettingValue InputMessage"
    xmlns:wsam="http://www.w3.org/2007/05/addressing/metadata"/>
  <wsdl:output
    wsam:Action="http://www.microsoft.com/performancepoint/scorecards/IBIMonitoringServiceApplication/UpdateSettingValueResponse"
    message="tns:IBIMonitoringServiceApplication_UpdateSettingValue_OutputMessage"
    xmlns:wsam="http://www.w3.org/2007/05/addressing/metadata"/>
  <wsdl:fault
    wsam:Action="http://www.microsoft.com/performancepoint/scorecards/IBIMonitoringServiceApplication/UpdateSettingValueBpmExceptionFault" name="BpmExceptionFault"
    message="tns:IBIMonitoringServiceApplication UpdateSettingValue BpmExceptionFault FaultMessage"
    xmlns:wsam="http://www.w3.org/2007/05/addressing/metadata"/>
</wsdl:operation>
```

The protocol client sends an **IBIMonitoringServiceApplication\_UpdateSettingValue\_InputMessage** request message (section [3.1.4.31.1.1](#)) and the protocol server responds with an **IBIMonitoringServiceApplication\_UpdateSettingValue\_OutputMessage** response message (section [3.1.4.32.1.2](#)) as follows:

1. The protocol client sends a string identifying the configuration setting to be changed, and the new value expressed as a string.
2. The protocol server modifies the configuration, and responds with an empty response.

#### Exceptions:

ErrorCode	Description
ExtInvalidSetting	The setting value does not meet the required format or limits. More information is available in the exception text.
NewSetting	The setting key is unknown.
Unknown	See section <a href="#">2.2.2.1.3</a> for the common list of error codes.

In case of any other failure, the **ErrorCode** MUST be one of the values specified in section [2.2.2.1.2](#). For a detailed specification of how exceptions are reported by the protocol server, see section [2.2.2.1](#).

### 3.1.4.31.1 Messages

The following table summarizes the set of WSDL message definitions that are specific to this operation.

Message	Description
<b>IBIMonitoringServiceApplication_UpdateSettingValue_InputMessage</b>	The request WSDL message for the <b>UpdateSettingValue</b> WSDL operation.
<b>IBIMonitoringServiceApplication_UpdateSettingValue_OutputMessage</b>	The response WSDL message for the <b>UpdateSettingValue</b> WSDL operation.

#### 3.1.4.31.1.1 IBIMonitoringServiceApplication\_UpdateSettingValue\_InputMessage

The request WSDL message for the **UpdateSettingValue** WSDL operation.

The SOAP action value is:

```
http://www.microsoft.com/performancepoint/scorecards/IBIMonitoringServiceApplication/UpdateSettingValue
```

The SOAP body contains the **UpdateSettingValue** element.

#### 3.1.4.31.1.2 IBIMonitoringServiceApplication\_UpdateSettingValue\_OutputMessage

The response WSDL message for the **UpdateSettingValue** WSDL operation.

The SOAP body contains the **UpdateSettingValueResponse** element.

### 3.1.4.31.2 Elements

The following table summarizes the XML schema element definitions that are specific to this operation.

Element	Description
<b>UpdateSettingValue</b>	The input data for the <b>UpdateSettingValue</b> WSDL operation.
<b>UpdateSettingValueResponse</b>	The result data for the <b>UpdateSettingValue</b> WSDL operation.

#### 3.1.4.31.2.1 UpdateSettingValue

The **UpdateSettingValue** element specifies the input data for the **UpdateSettingValue** WSDL operation.

```
<xs:element name="UpdateSettingValue" xmlns:xs="http://www.w3.org/2001/XMLSchema">
  <xs:complexType>
    <xs:sequence>
```



```

    <xs:element minOccurs="0" maxOccurs="1" name="key" type="xs:string"/>
    <xs:element minOccurs="0" maxOccurs="1" name="value" type="xs:string"/>
  </xs:sequence>
</xs:complexType>
</xs:element>

```

**key:** A unique value identifying the setting to be retrieved. The value MUST be one of the keys listed in section [2.2.4.18](#).

**value:** The new value for the setting. This element MUST NOT be null. It MUST conform to a format matching the **SettingType** associated with the **key**.

- SettingType Integer
  - The value MUST be of the form [ws][sign]digits[ws]
    - ws is optional white space
    - sign is an optional + or -
    - digits is a sequence of digits ranging from 0 to 9
  - The value MUST be greater or equal to the minimum value shown in section 2.2.4.18.
  - The value MUST be less than or equal to the maximum value shown in section 2.2.4.18.
- SettingType String
  - The value MUST have no more characters than the number listed in the maximum value column in section 2.2.4.18
  - The value MUST NOT have any characters listed as illegal for the key in section 2.2.4.18.
- SettingType Boolean
  - The value MUST be "true" or "false", case insensitive.
  - The value MAY be preceded or followed by white space.

### 3.1.4.31.2.2 UpdateSettingValueResponse

The **UpdateSettingValueResponse** element specifies the result data for the **UpdateSettingValue** WSDL operation.

```

<xs:element name="UpdateSettingValueResponse" xmlns:xs="http://www.w3.org/2001/XMLSchema">
  <xs:complexType/>
</xs:element>

```

### 3.1.4.31.3 Complex Types

None.

### 3.1.4.31.4 Simple Types

None.

### 3.1.4.31.5 Attributes

None.

### 3.1.4.31.6 Groups

None.

### 3.1.4.31.7 Attribute Groups

None.

### 3.1.4.32 DecompAutoExpand

The **DecompAutoExpand** operation is used to get additional node data for a specific node, where named actions are not known.

```
<wsdl:operation name="DecompAutoExpand" xmlns:wsdl="http://schemas.xmlsoap.org/wsdl/">
  <wsdl:input
    wsam:Action="http://www.microsoft.com/performancepoint/scorecards/IBIMonitoringServiceApplication/DecompAutoExpand"
    message="tns:IBIMonitoringServiceApplication_DecomAutoExpand_InputMessage"
    xmlns:wsam="http://www.w3.org/2007/05/addressing/metadata"/>
  <wsdl:output
    wsam:Action="http://www.microsoft.com/performancepoint/scorecards/IBIMonitoringServiceApplication/DecompAutoExpandResponse"
    message="tns:IBIMonitoringServiceApplication_DecomAutoExpand_OutputMessage"
    xmlns:wsam="http://www.w3.org/2007/05/addressing/metadata"/>
  <wsdl:fault
    wsam:Action="http://www.microsoft.com/performancepoint/scorecards/IBIMonitoringServiceApplication/DecompAutoExpandBpmExceptionFault" name="BpmExceptionFault"
    message="tns:IBIMonitoringServiceApplication_DecomAutoExpand_BpmExceptionFault_FaultMessage"
    xmlns:wsam="http://www.w3.org/2007/05/addressing/metadata"/>
</wsdl:operation>
```

The protocol client sends an **IBIMonitoringServiceApplication\_DecomAutoExpand\_InputMessage** request message (section [3.1.4.32.1.1](#)) and the server responds with an **IBIMonitoringServiceApplication\_DecomAutoExpand\_OutputMessage** response message (section [3.1.4.32.1.2](#)) as follows:

- The protocol client MUST send a **navigationContext** value obtained from a **DecompRenderResultRecord** complex type, as specified in, which was obtained from a previous successful request to either **DecompAutoExpand**, **DecompExpand** (section [3.1.4.33](#)) or **DecompStartAnalyze** (section [3.1.4.3](#)).
- The protocol server MUST respond with a non-empty **DecompRenderResultRecord**.

#### Exceptions:

In case of any failure, the **ErrorCode** MUST be one of the values specified in section [2.2.2.1.2](#). For a detailed specification of how exceptions are reported by the protocol server, see section [2.2.2.1](#).

### 3.1.4.32.1 Messages

The following table summarizes the set of WSDL message definitions that are specific to this operation.

Message	Description
<b>IBIMonitoringServiceApplication_DecomAutoExpand_InputMessage</b>	The request WSDL message for the <b>DecompAutoExpand</b> WSDL operation.
<b>IBIMonitoringServiceApplication_DecomAutoExpand_OutputMessage</b>	The response WSDL message

Message	Description
	for the <b>DecompAutoExpand</b> WSDL operation.

### 3.1.4.32.1.1 IBIMonitoringServiceApplication\_DecomAutoExpand\_InputMessage

The request WSDL message for the **DecompAutoExpand** WSDL operation.

The SOAP action value is:

```
http://www.microsoft.com/performancepoint/scorecards/IBIMonitoringServiceApplication/DecompAutoExpand
```

The SOAP body contains the **DecompAutoExpand** element.

### 3.1.4.32.1.2 IBIMonitoringServiceApplication\_DecomAutoExpand\_OutputMessage

The response WSDL message for the **DecompAutoExpand** WSDL operation.

The SOAP body contains the **DecompAutoExpandResponse** element.

### 3.1.4.32.2 Elements

The following table summarizes the XML schema element definitions that are specific to this operation.

Element	Description
<b>DecompAutoExpand</b>	The input data for the <b>DecompAutoExpand</b> WSDL operation.
<b>DecompAutoExpandResponse</b>	The result data for the <b>DecompAutoExpand</b> WSDL operation.

### 3.1.4.32.2.1 DecompAutoExpand

The **DecompAutoExpand** element specifies the input data for the **DecompAutoExpand** WSDL operation.

```
<xs:element name="DecompAutoExpand" xmlns:xs="http://www.w3.org/2001/XMLSchema">
  <xs:complexType>
    <xs:sequence>
      <xs:element minOccurs="0" maxOccurs="1" name="navigationContext" type="xs:string"/>
      <xs:element minOccurs="0" maxOccurs="1" name="queryParameters"
type="tns:DecompQueryParameters"/>
      <xs:element minOccurs="0" maxOccurs="1" name="levelUniqueName" type="xs:string"/>
      <xs:element minOccurs="0" maxOccurs="1" name="itemUniqueName" type="xs:string"/>
    </xs:sequence>
  </xs:complexType>
</xs:element>
```

**navigationContext:** A session identifier which defines the state of the client. The element **MUST** be the *NavigationContext* value from a **DecompRenderResultRecord** complex type ([\[MS-PPSDECO\]](#) section 2.2.4.5) obtained from a previous successful request to either the **DecompAutoExpand** (section [3.1.4.32](#)) or **DecompExpand** (section [3.1.4.33](#)) operation. This element **MUST NOT** be NULL or empty.

**queryParameters:** Specifies query parameters. This element MUST be a **DecompQueryParameters** value (section [2.2.4.9](#)). It MUST NOT be null.

**levelUniqueName:** Uniquely identifies the level to expand. This identifier is defined by the web service and is the **DecompRenderResultLevel** unique name ([MS-PPSDECO] section 2.2.4.3). It MUST NOT be NULL or EMPTY.

**itemUniqueName:** Uniquely identifies the node to expand. This identifier is defined by the web service and is the **DecompRenderResultNode** unique name ([MS-PPSDECO] section 2.2.4.4). It MUST NOT be NULL or EMPTY.

### 3.1.4.32.2 DecompAutoExpandResponse

The **DecompAutoExpandResponse** element specifies the result data for the **DecompAutoExpand** WSDL operation.

```
<xs:element name="DecompAutoExpandResponse" xmlns:xs="http://www.w3.org/2001/XMLSchema">
  <xs:complexType>
    <xs:sequence>
      <xs:element minOccurs="0" maxOccurs="1" name="DecompAutoExpandResult"
type="tns:DecompRenderResultRecord"/>
    </xs:sequence>
  </xs:complexType>
</xs:element>
```

**DecompAutoExpandResult:** A **DecompRenderResultRecord** complex type ([\[MS-PPSDECO\]](#) section 2.2.4.5). In the event of an application error on the protocol server, this element will not occur.

### 3.1.4.32.3 Complex Types

None.

### 3.1.4.32.4 Simple Types

None.

### 3.1.4.32.5 Attributes

None.

### 3.1.4.32.6 Groups

None.

### 3.1.4.32.7 Attribute Groups

None.

### 3.1.4.33 DecompExpand

The **DecompExpand** operation [<15>](#) is used to get additional node data for a specific node, using a named action.

```
<wsdl:operation name="DecompExpand" xmlns:wsdl="http://schemas.xmlsoap.org/wsdl/">
  <wsdl:input
wsam:Action="http://www.microsoft.com/performancepoint/scorecards/IBIMonitoringServiceApplica
```

```

tion/DecompExpand" message="tns:IBIMonitoringServiceApplication_DecomExpand_InputMessage"
xmlns:wsam="http://www.w3.org/2007/05/addressing/metadata"/>
  <wsdl:output
wsam:Action="http://www.microsoft.com/performancepoint/scorecards/IBIMonitoringServiceApplica
tion/DecompExpandResponse"
message="tns:IBIMonitoringServiceApplication_DecomExpand_OutputMessage"
xmlns:wsam="http://www.w3.org/2007/05/addressing/metadata"/>
  <wsdl:fault
wsam:Action="http://www.microsoft.com/performancepoint/scorecards/IBIMonitoringServiceApplica
tion/DecompExpandBpmExceptionFault" name="BpmExceptionFault"
message="tns:IBIMonitoringServiceApplication_DecomExpand_BpmExceptionFault_FaultMessage"
xmlns:wsam="http://www.w3.org/2007/05/addressing/metadata"/>
</wsdl:operation>

```

A session state variable is required to successfully complete this operation. As part of the **DecompExpandSoapIn** request message, **navigationContext** MUST contain a value obtained from a **DecompRenderResultRecord** result from a previous successful request to **DecompAutoExpand** or **DecompExpand**.

### 3.1.4.33.1 Messages

The following table summarizes the set of WSDL message definitions that are specific to this operation.

Message	Description
<b>IBIMonitoringServiceApplication_DecomExpand_InputMessage</b>	The request WSDL message for the <b>DecompExpand</b> WSDL operation.
<b>IBIMonitoringServiceApplication_DecomExpand_OutputMessage</b>	The response WSDL message for the <b>DecompExpand</b> WSDL operation.

#### 3.1.4.33.1.1 IBIMonitoringServiceApplication\_DecomExpand\_InputMessage

The request WSDL message for the **DecompExpand** WSDL operation.

The SOAP action value is:

```

http://www.microsoft.com/performancepoint/scorecards/IBIMonitoringServiceApplication/DecompEx
pand

```

The SOAP body contains the **DecompExpand** element.

#### 3.1.4.33.1.2 IBIMonitoringServiceApplication\_DecomExpand\_OutputMessage

The response WSDL message for the **DecompExpand** WSDL operation.

The SOAP body contains the **DecompExpandResponse** element.

### 3.1.4.33.2 Elements

The following table summarizes the XML schema element definitions that are specific to this operation.

Element	Description
<b>DecompExpand</b>	The input data for the <b>DecompExpand</b> WSDL operation.

Element	Description
<b>DecompExpandResponse</b>	The result data for the <b>DecompExpand</b> WSDL operation.

### 3.1.4.33.2.1 DecompExpand

The **DecompExpand** element specifies the input data for the **DecompExpand** WSDL operation.

```
<xs:element name="DecompExpand" xmlns:xs="http://www.w3.org/2001/XMLSchema">
  <xs:complexType>
    <xs:sequence>
      <xs:element minOccurs="0" maxOccurs="1" name="navigationContext" type="xs:string"/>
      <xs:element minOccurs="0" maxOccurs="1" name="queryParameters"
type="tns:DecompQueryParameters"/>
      <xs:element minOccurs="0" maxOccurs="1" name="levelUniqueName" type="xs:string"/>
      <xs:element minOccurs="0" maxOccurs="1" name="itemUniqueName" type="xs:string"/>
      <xs:element minOccurs="0" maxOccurs="1" name="navigationItemUniqueName"
type="xs:string"/>
    </xs:sequence>
  </xs:complexType>
</xs:element>
```

**navigationContext:** A session identifier which defines the state of the client. The element MUST be the *NavigationContext* value from a **DecompRenderResultRecord** element (section [2.2.4](#)) obtained from a previous successful request to **DecompAutoExpand** (section [3.1.4.32](#)) or **DecompExpand** (section [3.1.4.33](#)). The element MUST NOT be NULL or empty.

**queryParameters:** Specifies the query parameters. This element MUST be a **DecompQueryParameters** (section [2.2.4.9](#)) value. It MUST NOT be null.

**levelUniqueName:** Uniquely identifies the level to expand. This identifier is defined by the web service and is the **DecompRenderResultLevel** unique name. It MUST NOT be NULL or EMPTY.

**itemUniqueName:** Uniquely identifies the node to expand. This identifier is defined by the web service and is the **DecompRenderResultNode** unique name. It MUST NOT be NULL or EMPTY.

**navigationItemUniqueName:** A unique identifier that MUST be the *Name* value from a **DecompNavigationAction** element obtained from a previous call to **CreateNavigationList** (see **DecompCreateNavigationList** in section [3.1.4](#)). The element MUST NOT be NULL or empty.

### 3.1.4.33.2.2 DecompExpandResponse

The **DecompExpandResponse** element specifies the result data for the **DecompExpand** WSDL operation.

```
<xs:element name="DecompExpandResponse" xmlns:xs="http://www.w3.org/2001/XMLSchema">
  <xs:complexType>
    <xs:sequence>
      <xs:element minOccurs="0" maxOccurs="1" name="DecompExpandResult"
type="tns:DecompRenderResultRecord"/>
    </xs:sequence>
  </xs:complexType>
</xs:element>
```

**DecompExpandResult:** A **DecompRenderResultRecord** (section [2.2.4](#)) value. In the event of an application error on the server, this value will not occur.

### 3.1.4.33.3 Complex Types

None.

### 3.1.4.33.4 Simple Types

None.

### 3.1.4.33.5 Attributes

None.

### 3.1.4.33.6 Groups

None.

### 3.1.4.33.7 Attribute Groups

None.

### 3.1.4.34 ValidateSiteCollection

The **ValidateSiteCollection** operation [<16>](#) is used to check if the context site has the server feature installed.

```
<wsdl:operation name="ValidateSiteCollection" xmlns:wsdl="http://schemas.xmlsoap.org/wsdl/">
  <wsdl:input
    wsam:Action="http://www.microsoft.com/performancepoint/scorecards/IBIMonitoringServiceApplication/ValidateSiteCollection"
    message="tns:IBIMonitoringServiceApplication_ValidateSiteCollection_InputMessage"
    xmlns:wsam="http://www.w3.org/2007/05/addressing/metadata"/>
  <wsdl:output
    wsam:Action="http://www.microsoft.com/performancepoint/scorecards/IBIMonitoringServiceApplication/ValidateSiteCollectionResponse"
    message="tns:IBIMonitoringServiceApplication_ValidateSiteCollection_OutputMessage"
    xmlns:wsam="http://www.w3.org/2007/05/addressing/metadata"/>
  <wsdl:fault
    wsam:Action="http://www.microsoft.com/performancepoint/scorecards/IBIMonitoringServiceApplication/ValidateSiteCollectionBpmExceptionFault" name="BpmExceptionFault"
    message="tns:IBIMonitoringServiceApplication_ValidateSiteCollectionBpmExceptionFault_FaultMessage" xmlns:wsam="http://www.w3.org/2007/05/addressing/metadata"/>
</wsdl:operation>
```

The protocol client sends an **IBIMonitoringServiceApplication\_ValidateSiteCollection\_InputMessage** request message (section [3.1.4.34.1.1](#)), and the **server** responds with an **IBIMonitoringServiceApplication\_ValidateSiteCollection\_OutputMessage** response message (section [3.1.4.34.1.2](#)) as follows:

1. If the user-defined context site is the top-level **site** of a **site collection** that has the server feature installed, **ValidateSiteCollectionResult** (section [3.1.4.34.2.2](#)) MUST be "SiteCollection".
2. If the user-defined context site is a **subsite** of a site collection that has the server feature installed, **ValidateSiteCollectionResult** MUST be "Site".
3. If the user-defined context site is NULL, **ValidateSiteCollectionResult** MUST be "NonexistentSiteCollection".

4. If the user-defined context site is not a valid site or a site collection and the **siteCollectionUrl** derived from the user-defined context site is not empty, **ValidateSiteCollectionResult** MUST be "Nonexistentsite".
5. If the user-defined context site is not a valid site or a site collection and **siteCollectionUrl** derived from the user-defined context site is empty, **ValidateSiteCollectionResult** MUST be "NonexistentSiteCollection".
6. If the site collection of the user-defined context site does not have the server feature installed, **ValidateSiteCollectionResult** MUST be "PPSNotActivatedOnSiteCollection".

**ValidateSiteCollectionResult** MUST NOT have any other values from the **URLValidationResult** enumeration other than those enumerated above in items 1 to 6.

### 3.1.4.34.1 Messages

The following table summarizes the set of WSDL message definitions that are specific to this operation.

Message	Description
<b>IBIMonitoringServiceApplication_ValidateSiteCollection_InputMessage</b>	The request WSDL message for the <b>ValidateSiteCollection</b> WSDL operation.
<b>IBIMonitoringServiceApplication_ValidateSiteCollection_OutputMessage</b>	The response WSDL message for the <b>ValidateSiteCollection</b> WSDL operation.

#### 3.1.4.34.1.1 IBIMonitoringServiceApplication\_ValidateSiteCollection\_InputMessage

The request WSDL message for the **ValidateSiteCollection** WSDL operation.

The SOAP action value is:

```
http://www.microsoft.com/performancepoint/scorecards/IBIMonitoringServiceApplication/ValidateSiteCollection
```

The SOAP body contains the **ValidateSiteCollection** element.

#### 3.1.4.34.1.2 IBIMonitoringServiceApplication\_ValidateSiteCollection\_OutputMessage

The response WSDL message for the **ValidateSiteCollection** WSDL operation.

The SOAP body contains the **ValidateSiteCollectionResponse** element.

### 3.1.4.34.2 Elements

The following table summarizes the XML schema element definitions that are specific to this operation.

Element	Description
<b>ValidateSiteCollection</b>	The input data for the <b>ValidateSiteCollection</b> WSDL operation.



Element	Description
<b>ValidateSiteCollectionResponse</b>	The result data for the <b>ValidateSiteCollection</b> WSDL operation.

### 3.1.4.34.2.1 ValidateSiteCollection

The **ValidateSiteCollection** element specifies the input data for the **ValidateSiteCollection** WSDL operation.

```
<xs:element name="ValidateSiteCollection" xmlns:xs="http://www.w3.org/2001/XMLSchema">
  <xs:complexType/>
</xs:element>
```

### 3.1.4.34.2.2 ValidateSiteCollectionResponse

The **ValidateSiteCollectionResponse** element specifies the result data for the **ValidateSiteCollection** WSDL operation.

```
<xs:element name="ValidateSiteCollectionResponse"
xmlns:xs="http://www.w3.org/2001/XMLSchema">
  <xs:complexType>
    <xs:sequence>
      <xs:element minOccurs="1" maxOccurs="1" name="ValidateSiteCollectionResult"
type="tns:URLValidationResult"/>
    </xs:sequence>
  </xs:complexType>
</xs:element>
```

**ValidateSiteCollectionResult:** A value of type **URLValidationResult** (section [3.1.4.34.4.1](#)) indicating the result of the validation process. See the definition of **URLValidationResult** for more details.

### 3.1.4.34.3 Complex Types

None.

### 3.1.4.34.4 Simple Types

The following table summarizes the XML schema simple type definitions that are specific to this operation.

Simple type	Description
<b>URLValidationResult</b>	The <b>URLValidationResult</b> is an enumeration used to specify the possible results of URL Validation.

### 3.1.4.34.4.1 URLValidationResult

**Namespace:** <http://www.microsoft.com/performancepoint/scorecards>

The **URLValidationResult** is an enumeration used to specify the possible results of URL Validation.

```
<xs:simpleType name="URLValidationResult" xmlns:xs="http://www.w3.org/2001/XMLSchema">
```

```

<xs:restriction base="xs:string">
  <xs:enumeration value="SiteCollectionOrSite"/>
  <xs:enumeration value="SiteCollection"/>
  <xs:enumeration value="Site"/>
  <xs:enumeration value="List"/>
  <xs:enumeration value="DocumentLibrary"/>
  <xs:enumeration value="InvalidURL"/>
  <xs:enumeration value="AlreadyExists"/>
  <xs:enumeration value="NonexistentSiteCollection"/>
  <xs:enumeration value="NonexistentSite"/>
  <xs:enumeration value="PPSNotActivatedOnSiteCollection"/>
  <xs:enumeration value="URLZoneNotAllowed"/>
  <xs:enumeration value="NoAccess"/>
  <xs:enumeration value="InvalidSiteVersion"/>
</xs:restriction>
</xs:simpleType>

```

The following table specifies the allowable values for the **URLValidationResult** simple type.

Value	Meaning
SiteCollectionOrSite	The context site is a subsite of a site collection or the top-level site of a site collection that has the server feature installed.
SiteCollection	The context site is the top-level site of a site collection and the site collection has the server feature installed.
Site	The context site is a subsite of a site collection and the site collection has the protocol feature installed.
List	The context site is a list of a site collection.
DocumentLibrary	The context site is a document library of a site collection.
InvalidURL	The URL is not valid.
AlreadyExists	The URL already exists.
NonexistentSiteCollection	The context site is not a valid site collection.
NonexistentSite	The context site is not a valid site.
PPSNotActivatedOnSiteCollection	The site collection of the context site does not have the server feature activated.
URLZoneNotAllowed	The URL is not in the following <b>security zones</b> : Local, Intranet, or Trusted.
NoAccess	The user does not have access to the context site specified by the URL.
InvalidSiteVersion	The context site version is not compatible with the current server feature.

#### 3.1.4.34.5 Attributes

None.

#### 3.1.4.34.6 Groups

None.

#### 3.1.4.34.7 Attribute Groups

None.

### **3.1.5 Timer Events**

None.

### **3.1.6 Other Local Events**

None.

Preliminary

## 4 Protocol Examples

Examples that illustrate the usage of the protocol as described in the overview (section [1.3](#)).

### 4.1 Annotation Update

In this example, a protocol client creates a new **annotation** within a scorecard, modifies the **annotation**, and deletes the **annotation**.

The example assumes that the following object is known to the protocol server with the following identifier:

Type	Name	Path	ID
Scorecard	New Scorecard	/PerformancePoint/Lists/Dashboard Content	15_.000

#### 4.1.1 CreateAnnotation

To create a new **Annotation**, the protocol client calls **CreateAnnotation**.

The protocol client creates and sends the following message (whitespace added for readability):

```
<s:Envelope xmlns:a="http://www.w3.org/2005/08/addressing"
            xmlns:s="http://www.w3.org/2003/05/soap-envelope">
  <s:Header>
    <a:Action s:mustUnderstand="1">
      http://tempuri.org/IBIMonitoringServiceApplication/CreateAnnotation
    </a:Action>
    <a:MessageID>
      urn:uuid:868d1632-4a2d-4e5a-b7d5-51ff28762e05
    </a:MessageID>
    <a:ReplyTo>
      <a:Address>
        http://www.w3.org/2005/08/addressing/anonymous
      </a:Address>
    </a:ReplyTo>
    <webSiteID xmlns="PPSMA">
      9edb0749-0b51-4377-b810-d3891c1ac81d
    </webSiteID>
    <WebSiteAbsoluteUrl
      xmlns="PPSMA">http://boi-ppsbeta1/
    </WebSiteAbsoluteUrl>
    <CurrentCultureName
      xmlns="PPSMA">en-US
    </CurrentCultureName>
    <CurrentUICultureName
      xmlns="PPSMA">en-US
    </CurrentUICultureName>
  </s:Header>
  <s:Body xmlns:xsi="http://www.w3.org/2001/XMLSchema-instance"
          xmlns:xsd="http://www.w3.org/2001/XMLSchema">
    <CreateAnnotation xmlns="http://tempuri.org/">
      <annotation>
        <Comments>
          <AnnotationComment Guid="de36bf3c-3930-40cc-9287-28425b77c3e6"
                              CreatedBy="domain\username"
                              CreatedDate="2009-06-09T09:06:11.1715572-07:00"
                              Message="New Comment"
                              Title="New Comment">
          </AnnotationComment>
        </Comments>
      </annotation>
    </CreateAnnotation>
  </s:Body>
</s:Envelope>
```

```

<Properties></Properties>
<Owner>domain\username</Owner>
<LastUpdatedBy></LastUpdatedBy>
<Slice></Slice>
<CreatedOn>0001-01-01T00:00:00</CreatedOn>
<LastUpdatedOn>0001-01-01T00:00:00</LastUpdatedOn>
<ScorecardLocation ItemUrl="/Lists/Dashboard Content/15_.000"
                    ItemType="Scorecard"
                    ItemGuid="4fc9dc2547494db86e7d3b298707b1"
                    SpSiteCollectionGuid="9edb07490b514377b810d3891c1ac81d"
                    SpSiteGuid="e656245d9da74ce8bbae0ef059f792c4"
                    SpListGuid="e93c6554114d455198f8572c496139d2">
</ScorecardLocation>
<ConfiguredViewID>
    50289e50-956c-420f-9509-d60199260bf4
</ConfiguredViewID>
<Guid>6ebdce31-a7e4-4c3a-8012-43066b39b38a</Guid>
<CellpathCoordinates>
    /Lists/Dashboard Content/14 .000Target
</CellpathCoordinates>
</annotation>
</CreateAnnotation>
</s:Body>
</s:Envelope>

```

The protocol server responds with the following (whitespace added for readability):

```

<s:Envelope xmlns:a="http://www.w3.org/2005/08/addressing"
            xmlns:s="http://www.w3.org/2003/05/soap-envelope">
  <s:Header>
    <a:Action s:mustUnderstand="1">
      http://tempuri.org/IBIMonitoringServiceApplication/CreateAnnotationResponse
    </a:Action>
  </s:Header>
  <s:Body xmlns:xsi="http://www.w3.org/2001/XMLSchema-instance"
          xmlns:xsd="http://www.w3.org/2001/XMLSchema">
    <CreateAnnotationResponse xmlns="http://tempuri.org/">
      <CreateAnnotationResult>
        <Comments>
          <AnnotationComment Guid="de36bf3c-3930-40cc-9287-28425b77c3e6"
                              CreatedBy="domain\username"
                              CreatedDate="2009-06-09T09:06:11.1715572-07:00"
                              Message="New Comment"
                              Title="New Comment">
          </AnnotationComment>
        </Comments>
        <Properties></Properties>
        <Owner>domain\username</Owner>
        <LastUpdatedBy></LastUpdatedBy>
        <Slice></Slice>
        <CreatedOn>2009-06-09T09:06:42.85</CreatedOn>
        <LastUpdatedOn>2009-06-09T09:06:42.85</LastUpdatedOn>
        <ScorecardLocation ItemUrl="/Lists/Dashboard Content/15_.000"
                            ItemType="Scorecard"
                            ItemGuid="4fc9dc2547494db86e7d3b298707b1"
                            SpSiteCollectionGuid="9edb07490b514377b810d3891c1ac81d"
                            SpSiteGuid="e656245d9da74ce8bbae0ef059f792c4"
                            SpListGuid="e93c6554114d455198f8572c496139d2">
        </ScorecardLocation>
        <ConfiguredViewID>
          50289e50-956c-420f-9509-d60199260bf4
        </ConfiguredViewID>
        <Guid>
          6ebdce31-a7e4-4c3a-8012-43066b39b38a
        </Guid>
        <CellpathCoordinates>
          /Lists/Dashboard Content/14_.000Target
        </CellpathCoordinates>
      </CreateAnnotationResult>
    </CreateAnnotationResponse>
  </s:Body>
</s:Envelope>

```

```

        </CellpathCoordinates>
    </CreateAnnotationResult>
</CreateAnnotationResponse>
</s:Body>
</s:Envelope>

```

#### 4.1.2 UpdateAnnotation

To update the existing **Annotation**, the protocol client calls **UpdateAnnotation**.

The protocol client creates and sends the following message (whitespace added for readability):

```

<s:Envelope xmlns:a="http://www.w3.org/2005/08/addressing"
  xmlns:s="http://www.w3.org/2003/05/soap-envelope">
  <s:Header>
    <a:Action s:mustUnderstand="1">
      http://tempuri.org/IBIMonitoringServiceApplication/UpdateAnnotation
    </a:Action>
    <a:MessageID>
      urn:uuid:937d9cac-9a59-4040-bcbe-18ec87bd5cfb
    </a:MessageID>
    <a:ReplyTo>
      <a:Address>http://www.w3.org/2005/08/addressing/anonymous</a:Address>
    </a:ReplyTo>
    <webSiteID xmlns="PPSMA">9edb0749-0b51-4377-b810-d3891c1ac81d</webSiteID>
    <WebSiteAbsoluteUrl xmlns="PPSMA">http://boi-ppsbeta1/</WebSiteAbsoluteUrl>
    <CurrentCultureName xmlns="PPSMA">en-US</CurrentCultureName>
    <CurrentUICultureName xmlns="PPSMA">en-US</CurrentUICultureName>
  </s:Header>
  <s:Body xmlns:xsi="http://www.w3.org/2001/XMLSchema-instance"
    xmlns:xsd="http://www.w3.org/2001/XMLSchema">
    <UpdateAnnotation xmlns="http://tempuri.org/">
      <annotation>
        <Comments>
          <AnnotationComment
            Guid="de36bf3c-3930-40cc-9287-28425b77c3e6"
            CreatedBy="Domain\username"
            CreatedDate="2009-06-09T09:06:11.1715572-07:00"
            Message="New Comment 2"
            Title="New Comment">
          </AnnotationComment>
        </Comments>
        <Properties></Properties>
        <Owner>Domain\username</Owner>
        <LastUpdatedBy>Domain\username</LastUpdatedBy>
        <Slice></Slice>
        <CreatedOn>2009-06-09T09:06:42.85</CreatedOn>
        <LastUpdatedOn>2009-06-09T09:06:42.85</LastUpdatedOn>
        <ScorecardLocation
          ItemUrl="/Lists/Dashboard Content/15_.000"
          ItemType="Scorecard"
          ItemGuid="4fc9dc2547494db86e7d3b298707b1"
          SpSiteCollectionGuid="9edb07490b514377b810d3891c1ac81d"
          SpSiteGuid="e656245d9da74ce8bbae0ef059f792c4"
          SpListGuid="e93c6554114d455198f8572c496139d2">
        </ScorecardLocation>
        <ConfiguredViewID>50289e50-956c-420f-9509-d60199260bf4</ConfiguredViewID>
        <Guid>6ebdce31-a7e4-4c3a-8012-43066b39b38a</Guid>
        <CellpathCoordinates>
          /Lists/Dashboard Content/14_.000Target
        </CellpathCoordinates>
      </annotation>
    </UpdateAnnotation>
  </s:Body>
</s:Envelope>

```

The protocol server responds with the following (whitespace added for readability):

```
<s:Envelope xmlns:a="http://www.w3.org/2005/08/addressing"
  xmlns:s="http://www.w3.org/2003/05/soap-envelope">
  <s:Header>
    <a:Action s:mustUnderstand="1">
      http://tempuri.org/IBIMonitoringServiceApplication/UpdateAnnotationResponse
    </a:Action>
  </s:Header>
  <s:Body xmlns:xsi="http://www.w3.org/2001/XMLSchema-instance"
    xmlns:xsd="http://www.w3.org/2001/XMLSchema">
    <UpdateAnnotationResponse xmlns="http://tempuri.org/">
      <UpdateAnnotationResult>
        <Comments>
          <AnnotationComment
            Guid="de36bf3c-3930-40cc-9287-28425b77c3e6"
            CreatedBy="Domain\username"
            CreatedDate="2009-06-09T09:06:11.1715572-07:00"
            Message="New Comment 2"
            Title="New Comment">
          </AnnotationComment>
        </Comments>
        <Properties></Properties>
        <Owner>Domain\username</Owner>
        <LastUpdatedBy>Domain\username</LastUpdatedBy>
        <Slice></Slice>
        <CreatedOn>2009-06-09T09:06:42.85</CreatedOn>
        <LastUpdatedOn>2009-06-09T10:24:40.847</LastUpdatedOn>
        <ScorecardLocation
          ItemUrl="/Lists/Dashboard Content/15 .000"
          ItemType="Scorecard"
          ItemGuid="4fc9dc2547494db86e7d3b298707b1"
          SpSiteCollectionGuid="9edb07490b514377b810d3891c1ac81d"
          SpSiteGuid="e656245d9da74ce8bbae0ef059f792c4"
          SpListGuid="e93c6554114d455198f8572c496139d2">
        </ScorecardLocation>
        <ConfiguredViewID>50289e50-956c-420f-9509-d60199260bf4</ConfiguredViewID>
        <Guid>6ebdce31-a7e4-4c3a-8012-43066b39b38a</Guid>
        <CellpathCoordinates
          /Lists/Dashboard Content/14 .000Target
        </CellpathCoordinates>
      </UpdateAnnotationResult>
    </UpdateAnnotationResponse>
  </s:Body>
</s:Envelope>
```

### 4.1.3 DeleteAnnotation

To delete the existing **Annotation**, the protocol client calls **DeleteAnnotation**.

The protocol client creates and sends the following message (whitespace added for readability):

```
<s:Envelope xmlns:a="http://www.w3.org/2005/08/addressing"
  xmlns:s="http://www.w3.org/2003/05/soap-envelope">
  <s:Header>
    <a:Action s:mustUnderstand="1">
      http://tempuri.org/IBIMonitoringServiceApplication/DeleteAnnotation
    </a:Action>
    <a:MessageID>urn:uuid:fa482d28-a976-4cb1-b193-277c4ea8844c</a:MessageID>
    <a:ReplyTo>
      <a:Address>http://www.w3.org/2005/08/addressing/anonymous</a:Address>
    </a:ReplyTo>
    <webSiteID xmlns="PPSMA">9edb0749-0b51-4377-b810-d3891c1ac81d</webSiteID>
    <WebSiteAbsoluteUrl xmlns="PPSMA">http://boi-ppsbeta1</WebSiteAbsoluteUrl>
    <CurrentCultureName xmlns="PPSMA">en-US</CurrentCultureName>
    <CurrentUICultureName xmlns="PPSMA">en-US</CurrentUICultureName>
```

```

</s:Header>
<s:Body xmlns:xsi="http://www.w3.org/2001/XMLSchema-instance"
  xmlns:xsd="http://www.w3.org/2001/XMLSchema">
  <DeleteAnnotation xmlns="http://tempuri.org/">
    <annotationID>6ebdce31-a7e4-4c3a-8012-43066b39b38a</annotationID>
  </DeleteAnnotation>
</s:Body>
</s:Envelope>

```

The protocol server responds with the following (whitespace added for readability):

```

<s:Envelope xmlns:a="http://www.w3.org/2005/08/addressing"
  xmlns:s="http://www.w3.org/2003/05/soap-envelope">
  <s:Header>
    <a:Action s:mustUnderstand="1">
      http://tempuri.org/IBIMonitoringServiceApplication/DeleteAnnotationResponse
    </a:Action>
  </s:Header>
  <s:Body xmlns:xsi="http://www.w3.org/2001/XMLSchema-instance"
    xmlns:xsd="http://www.w3.org/2001/XMLSchema">
    <DeleteAnnotationResponse
      xmlns="http://tempuri.org/">
    </DeleteAnnotationResponse>
  </s:Body>
</s:Envelope>

```

## 4.2 Scorecard Render

In this example, a protocol client is refreshing the display of a dashboard containing a scorecard.

The example assumes that the following object is known to the protocol server with the following identifier:

Type	Name	Path	ID
Scorecard	New Scorecard	/PerformancePoint/Lists/Dashboard Content	15_.000

### 4.2.1 GetScorecardDependencies

The protocol client calls **GetScorecardDependencies** to get all resources necessary to render the scorecard.

The protocol client creates and sends the following message (whitespace added for readability):

```

<s:Envelope xmlns:a="http://www.w3.org/2005/08/addressing"
  xmlns:s="http://www.w3.org/2003/05/soap-envelope">
  <s:Header>
    <a:Action
      s:mustUnderstand="1">http://tempuri.org/IBIMonitoringServiceApplication/GetScorecardDependencies</a:Action>
    <a:MessageID>urn:uuid:bda9b3de-5b13-452d-b734-95d9776168ae</a:MessageID>
    <a:ReplyTo>
      <a:Address>http://www.w3.org/2005/08/addressing/anonymous</a:Address>
    </a:ReplyTo>
    <webSiteID xmlns="PPSMA">9edb0749-0b51-4377-b810-d3891c1ac81d</webSiteID>
    <WebSiteAbsoluteUrl xmlns="PPSMA">http://boi-ppsbeta1/</WebSiteAbsoluteUrl>
    <CurrentCultureName xmlns="PPSMA">en-US</CurrentCultureName>
    <CurrentUICultureName xmlns="PPSMA">en-US</CurrentUICultureName>
  </s:Header>
  <s:Body>
  </s:Body>
</s:Envelope>

```



```

    </s:Header>
    <s:Body xmlns:xsi="http://www.w3.org/2001/XMLSchema-instance"
    xmlns:xsd="http://www.w3.org/2001/XMLSchema">
      <GetScorecardDependencies xmlns="http://tempuri.org/">
        <scorecardLocation ItemUrl="/Lists/Dashboard Content/15_.000" ItemType="None"
        ItemGuid="00000000000000000000000000000000"
        SpSiteCollectionGuid="00000000000000000000000000000000"
        SpSiteGuid="00000000000000000000000000000000"
        SpListGuid="00000000000000000000000000000000"></scorecardLocation>
      </GetScorecardDependencies>
    </s:Body>
  </s:Envelope>

```

The protocol server responds with the following (whitespace added for readability):

```

<s:Envelope xmlns:a="http://www.w3.org/2005/08/addressing"
xmlns:s="http://www.w3.org/2003/05/soap-envelope">
  <s:Header>
    <a:Action
    s:mustUnderstand="1">http://tempuri.org/IBIMonitoringServiceApplication/GetScorecardDependenc
iesResponse</a:Action>
  </s:Header>
  <s:Body xmlns:xsi="http://www.w3.org/2001/XMLSchema-instance"
  xmlns:xsd="http://www.w3.org/2001/XMLSchema">
    <GetScorecardDependenciesResponse xmlns="http://tempuri.org/">
      <GetScorecardDependenciesResult>
        <ExternalCssDependencies>
          <string>bsm.css</string>
          <string>bsmMenu.css</string>
          <string>OlapGrid.css</string>
        </ExternalCssDependencies>
        <ScriptDependencies>
          <ScriptDependency>
            <ScriptLocation>Microsoft.PerformancePoint.Scorecards.Script.Resources.AnalyticReports.js</Sc
riptLocation>
            <AssemblyName>Microsoft.PerformancePoint.Scorecards.Script, Version=14.0.0.0,
Culture=neutral, PublicKeyToken=71e9bce111e9429c</AssemblyName>
            <ForceRelease>>false</ForceRelease>
          </ScriptDependency>
          <ScriptDependency>
            <ScriptLocation>Microsoft.PerformancePoint.Scorecards.Script.Resources.Scorecard.js</ScriptLo
cation>
            <AssemblyName>Microsoft.PerformancePoint.Scorecards.Script, Version=14.0.0.0,
Culture=neutral, PublicKeyToken=71e9bce111e9429c</AssemblyName>
            <ForceRelease>>false</ForceRelease>
          </ScriptDependency>
          <ScriptDependency>
            <ScriptLocation>/_layouts/silverlight.js</ScriptLocation>
            <ForceRelease>>true</ForceRelease>
          </ScriptDependency>
        </ScriptDependencies>
      </GetScorecardDependenciesResult>
    </GetScorecardDependenciesResponse>
  </s:Body>
</s:Envelope>

```

## 4.2.2 ScorecardSupportsExportFormat

The protocol client then calls **ScorecardSupportsExportFormat** to see if the scorecard can be exported in the given format.

The protocol client creates and sends the following message (whitespace added for readability):

```

<s:Envelope xmlns:a="http://www.w3.org/2005/08/addressing"
            xmlns:s="http://www.w3.org/2003/05/soap-envelope">
  <s:Header>
    <a:Action s:mustUnderstand="1">
      http://tempuri.org/IBIMonitoringServiceApplication/
      ScorecardSupportsExportFormat
    </a:Action>
    <a:MessageID>urn:uuid:02e8da36-4611-424e-ad45-578e0561271a</a:MessageID>
    <a:ReplyTo>
      <a:Address>http://www.w3.org/2005/08/addressing/anonymous</a:Address>
    </a:ReplyTo>
    <webSiteID xmlns="PPSMA">9edb0749-0b51-4377-b810-d3891clac81d</webSiteID>
    <WebSiteAbsoluteUrl xmlns="PPSMA">http://boi-ppsbeta1</WebSiteAbsoluteUrl>
    <CurrentCultureName xmlns="PPSMA">en-US</CurrentCultureName>
    <CurrentUICultureName xmlns="PPSMA">en-US</CurrentUICultureName>
  </s:Header>
  <s:Body xmlns:xsi="http://www.w3.org/2001/XMLSchema-instance"
        xmlns:xsd="http://www.w3.org/2001/XMLSchema">
    <ScorecardSupportsExportFormat xmlns="http://tempuri.org/">
      <itemFormat>PowerPoint</itemFormat>
      <scorecardLocation
        ItemUrl="/Lists/Dashboard Content/15_.000"
        ItemType="None"
        ItemGuid="00000000000000000000000000000000"
        SpSiteCollectionGuid="00000000000000000000000000000000"
        SpSiteGuid="00000000000000000000000000000000"
        SpListGuid="00000000000000000000000000000000">
      </scorecardLocation>
    </ScorecardSupportsExportFormat>
  </s:Body>
</s:Envelope>

```

The protocol server responds with the following (whitespace added for readability):

```

<s:Envelope xmlns:a="http://www.w3.org/2005/08/addressing"
            xmlns:s="http://www.w3.org/2003/05/soap-envelope">
  <s:Header>
    <a:Action s:mustUnderstand="1">
      http://tempuri.org/IBIMonitoringServiceApplication/
      ScorecardSupportsExportFormatResponse</a:Action>
    </s:Header>
  <s:Body xmlns:xsi="http://www.w3.org/2001/XMLSchema-instance"
        xmlns:xsd="http://www.w3.org/2001/XMLSchema">
    <ScorecardSupportsExportFormatResponse xmlns="http://tempuri.org/">
      <ScorecardSupportsExportFormatResult>
        true
      </ScorecardSupportsExportFormatResult>
    </ScorecardSupportsExportFormatResponse>
  </s:Body>
</s:Envelope>

```

### 4.2.3 GetSettingValue

The protocol client may check for settings values on the scorecard by calling **GetSettingValue**.

The protocol client creates and sends the following message (whitespace added for readability):

```

<s:Envelope xmlns:a="http://www.w3.org/2005/08/addressing"
            xmlns:s="http://www.w3.org/2003/05/soap-envelope">
  <s:Header>
    <a:Action s:mustUnderstand="1">
      http://tempuri.org/IBIMonitoringServiceApplication/GetSettingValue
    </a:Action>
    <a:MessageID>urn:uuid:3fddf9a6-e45d-42a3-a2d0-f1817cbc78d5</a:MessageID>
  </s:Header>
  <s:Body>
  </s:Body>
</s:Envelope>

```

```

    <a:ReplyTo>
      <a:Address>http://www.w3.org/2005/08/addressing/anonymous</a:Address>
    </a:ReplyTo>
    <webSiteID xmlns="PPSMA">9edb0749-0b51-4377-b810-d3891c1ac81d</webSiteID>
    <WebSiteAbsoluteUrl xmlns="PPSMA">http://boi-ppsbeta1/</WebSiteAbsoluteUrl>
    <CurrentCultureName xmlns="PPSMA">en-US</CurrentCultureName>
    <CurrentUICultureName xmlns="PPSMA">en-US</CurrentUICultureName>
  </s:Header>
  <s:Body xmlns:xsi="http://www.w3.org/2001/XMLSchema-instance"
    xmlns:xsd="http://www.w3.org/2001/XMLSchema">
    <GetSettingValue xmlns="http://tempuri.org/">
      <key>IndicatorImageCacheTime</key>
    </GetSettingValue>
  </s:Body>
</s:Envelope>

```

The protocol server responds with the following (whitespace added for readability):

```

<s:Envelope xmlns:a="http://www.w3.org/2005/08/addressing"
  xmlns:s="http://www.w3.org/2003/05/soap-envelope">
  <s:Header>
    <a:Action s:mustUnderstand="1">
      http://tempuri.org/IBIMonitoringServiceApplication/GetSettingValueResponse
    </a:Action>
  </s:Header>
  <s:Body xmlns:xsi="http://www.w3.org/2001/XMLSchema-instance"
    xmlns:xsd="http://www.w3.org/2001/XMLSchema">
    <GetSettingValueResponse xmlns="http://tempuri.org/">
      <GetSettingValueResult>10</GetSettingValueResult>
    </GetSettingValueResponse>
  </s:Body>
</s:Envelope>

```

#### 4.2.4 RenderScorecard

Finally, the protocol client renders the scorecard by calling **RenderScorecard**.

The protocol client creates and sends the following message (whitespace added for readability):

```

<s:Envelope xmlns:a="http://www.w3.org/2005/08/addressing"
  xmlns:s="http://www.w3.org/2003/05/soap-envelope">
  <s:Header>
    <a:Action s:mustUnderstand="1">
      http://tempuri.org/IBIMonitoringServiceApplication/RenderScorecard
    </a:Action>
    <a:MessageID>urn:uuid:81f00933-7e0e-4b1d-a67f-bcb6660dcc9c</a:MessageID>
    <a:ReplyTo>
      <a:Address>http://www.w3.org/2005/08/addressing/anonymous</a:Address>
    </a:ReplyTo>
    <webSiteID xmlns="PPSMA">9edb0749-0b51-4377-b810-d3891c1ac81d</webSiteID>
    <WebSiteAbsoluteUrl xmlns="PPSMA">http://boi-ppsbeta1/</WebSiteAbsoluteUrl>
    <CurrentCultureName xmlns="PPSMA">en-US</CurrentCultureName>
    <CurrentUICultureName xmlns="PPSMA">en-US</CurrentUICultureName>
  </s:Header>
  <s:Body xmlns:xsi="http://www.w3.org/2001/XMLSchema-instance"
    xmlns:xsd="http://www.w3.org/2001/XMLSchema">
    <RenderScorecard xmlns="http://tempuri.org/">
      <proxyCacheAttempt>true</proxyCacheAttempt>
      <scorecardLocation ItemUrl="/Lists/Dashboard Content/15_.000"
        ItemType="None"
        ItemGuid="00000000000000000000000000000000"
        SpSiteCollectionGuid="00000000000000000000000000000000"
        SpSiteGuid="00000000000000000000000000000000"
        SpListGuid="00000000000000000000000000000000">

```

```

</scorecardLocation>
<renderTargetId>ctl00_m_pps_b1f9f743481a4d578ae7720305724002</renderTargetId>
<classResourcePath>/_layouts/PPSWebParts/</classResourcePath>
<availableHeight></availableHeight>
<availableWidth></availableWidth>
<webPartContext>
  <ClientViewState>
    <Keys></Keys>
    <Values></Values>
  </ClientViewState>
  <InUseProviderParameterNames></InUseProviderParameterNames>
  <ProviderParameterSelections>
    <Keys></Keys>
    <Values></Values>
  </ProviderParameterSelections>
</webPartContext>
<isAccessibilityMode>>false</isAccessibilityMode>
</RenderScorecard>
</s:Body>
</s:Envelope>

```

The protocol server responds with the following (whitespace added for readability):

```

<s:Envelope xmlns:a="http://www.w3.org/2005/08/addressing"
  xmlns:s="http://www.w3.org/2003/05/soap-envelope">
  <s:Header>
    <a:Action s:mustUnderstand="1">
      http://tempuri.org/IBIMonitoringServiceApplication/RenderScorecardResponse
    </a:Action>
  </s:Header>
  <s:Body xmlns:xsi="http://www.w3.org/2001/XMLSchema-instance"
    xmlns:xsd="http://www.w3.org/2001/XMLSchema">
    <RenderScorecardResponse xmlns="http://tempuri.org/">
      <proxyCacheKey></proxyCacheKey>
      <proxyCacheExpiration>0001-01-01T00:00:00</proxyCacheExpiration>
      <html>
        <div id="scctrlctl00_m_pps_b1f9f743481a4d578ae7720305724002"
          name="scctrlctl00_m_pps_b1f9f743481a4d578ae7720305724002"
          style="display:table;overflow:auto;">
          <div id="scctrlctl00_m_pps_b1f9f743481a4d578ae7720305724002_tv"
            name="scctrlctl00_m_pps_b1f9f743481a4d578ae7720305724002$tv"
            style="display:table-row;">
            <a name="ctl00_m_pps_b1f9f743481a4d578ae7720305724002begin"
              tabindex="0"></a>
            <table id="scctrlctl00_m_pps_b1f9f743481a4d578ae7720305724002_tv_sctbl"
              cellpadding="0" cellspacing="0" rules="all" class="bsm-sctbl"
              onkeyup="javascript:scm_ctl00_m_pps_b1f9f743481a4d578ae7720305724002.
                handleTableViewKeyboardNavigation(event);"
              onclick="javascript:scm_ctl00_m_pps_b1f9f743481a4d578ae7720305724002.
                selectScorecardCell(event);"
              onmousedown="javascript:scm_ctl00_m_pps_b1f9f743481a4d578ae7720305724002.
                getMenuHandler().createContextMenu(event);"
              summary="New Scorecard" border="1"
              style="border-color:#D0D8E5;border-width:1px;border-style:solid;
                border-collapse:collapse;">
              <tr rId="ch-0">
                <th class="pulpit" align="center" tabindex="0"
                  SortFilterColumn="RowHeaderText" ColumnType="System.String"
                  rowspan="1" scope="column"
                  style="background-color:#EBF3FF;border-color:#D0D8E5;
                    vertical-align:bottom;text-align:left;"></th>
                <th align="center" ColumnType="System.Decimal"
                  isDrillEnabled="false"

```

```

class="chc" SortFilterColumn="Actual2" tabindex="0"
isDrillUpEnabled="true" groupId="-3"
isCellExpansionEnabled="false"
cellId="1" cellType="Column" headerType="KpiActual"
isDrillDownEnabled="true" colspan="1" rowspan="1"
scope="column"
style="color:#000000;background-color:#EBF3FF;
border-color:#D0D8E5;
font-family:Tahoma;font-size:8pt;vertical-align:middle;
text-align:center;white-space:nowrap;">
</span> Actual </span>
<a class="bsm-Link" val="bsmval"
style="color:#000000;cursor:pointer;">
</a>
</th>
<th align="center" ColumnType="System.Decimal"
isDrillEnabled="false" class="chc" SortFilterColumn="Target3"
tabindex="0" ColumnType2="System.Decimal"
isDrillUpEnabled="true"
ShowSecondValue="True" groupId="-4"
isCellExpansionEnabled="false" cellId="2" cellType="Column"
TargetElements="Target|Variance" headerType="KpiTarget"
isDrillDownEnabled="true" colspan="1" rowspan="1"
scope="column"
style="color:#000000;background-color:#EBF3FF;
border-color:#D0D8E5;
font-family:Tahoma;font-size:8pt;vertical-align:middle;
text-align:center;white-space:nowrap;">
</span> Target </span>
<a class="bsm-Link" val="bsmval"
style="color:#000000;cursor:pointer;"></a>
</th>
</tr>
<tr id="scctrlct100 m pps b1f9f743481a4d578ae7720305724002 tv 1"
class="r-1" rId="1" pId="0" groupId="-1" isCollapsed="false"
isCellExpansionEnabled="false"
isHiddenBasedOnFilterStatus="false"
isDynamicallyExpandedHeader="false">
<th class="rhc" align="left" isDrillEnabled="false"
isDrillUpEnabled="true" tabindex="0" groupId="-1"
cellId="0" cellType="Row" headerType="Kpi"
isDrillDownEnabled="true" scope="row"
style="color:#000000;background-color:#FCFCFC;
border-color:#D0D8E5;font-family:Tahoma;
font-size:8pt;vertical-align:middle;
text-align:left;white-space:nowrap;">
</span> Internet Sales Amount </span>
<a class="bsm-Link" val="bsmval"
style="color:#000000;cursor:pointer;"></a>
</th>
<td class="bsm-ustitle" align="left" tabindex="0"
antaction="" ddenabled="False"
cellpath="%2fLists%2fDashboard+Content%2f14_.000Actual"
cellId="1" annotated="False" isCollapsed="false"
decompenabled="False" ddTupleXml="&lt;_dd /&gt;"
colspan="1"
style="color:#000000;background-color:#FFFFFF;border-color:
#D0D8E5;font-family:Tahoma;font-size:8pt;vertical-align:
middle;text-align:left;white-space:nowrap;">
<a class="bsm-Link" val="bsmval"
style="color:#000000;cursor:pointer;"></a>
<div class="ContainerCell">
<span val="true" class="ItemCell"> $29,358,677.22 </span>
</div>
</td>
<td class="bsm-ustitle" align="left" tabindex="0" antaction=""
ddenabled="False"
cellpath="%2fLists%2fDashboard+Content%2f14_.000Target"
cellId="2" annotated="True" isCollapsed="false"

```

```

decompenabled="False" ddTupleXml="&lt;dd /&gt;"
colspan="1"
style="color:#000000;background-color:#FFFFFF;border-color:
#D0D8E5;font-family:Tahoma;font-size:8pt;vertical-align:
middle;text-align:left;white-space:nowrap;
background-image:
url(/_layouts/PPSWebParts/corner.gif);">
<a class="bsm-Link" val="bsmval"
style="color:#000000;cursor:pointer;"></a>
<div class="ContainerCell">
<span val="true" class="ItemCell"> $29,358,677.22 </span>
<span style="vertical-align:middle;" class="ItemCell">

</span>
<span val="true" class="ItemCell"> 0% </span>
</div>
</td>
</tr>
</table>
<a name="ctl100 m pps b1f9f743481a4d578ae7720305724002end"
tabindex="0"></a>
</div>
</div>
</html>
<script>var target = document.getElementById(
'ctl100 m pps b1f9f743481a4d578ae7720305724002');
if (null != target) { PPSMA.ClientConnectionManager.get_instance().
updateParameters([{"ClientId":
"ctl100_m pps b1f9f743481a4d578ae7720305724002",
"Name":"3e8bf61c-2573-4ecc-b3ff-e64632d1dabd","Selections":[]},
{"ClientId":"ctl100 m pps b1f9f743481a4d578ae7720305724002","Name":
"7d251088-1de5-4ea2-9127-8cc364b7660c","Selections":[]},{"ClientId":
"ctl100 m pps b1f9f743481a4d578ae7720305724002","Name":
"679c7d39-346f-4441-82df-85f7e5d093d1","Selections":[]},
{"ClientId":"ctl100_m pps b1f9f743481a4d578ae7720305724002",
"Name":"ba454826-5813-4bdd-b0fc-810de5e17898","Selections":[]}]};
scm ctl100 m pps b1f9f743481a4d578ae7720305724002.initializeManager(); }
</script>
<webPartContextUpdate>
<ClientViewStateWrapper>
<Keys>
<string>StatusFilters</string>
<string>ExpandedColumns</string>
<string>ExpandedRows</string>
<string>ScorecardId</string>
<string>ConfiguredViewId</string>
<string>ShowAnnotations</string>
<string>ShowDetails</string>
<string>PageFilters</string>
<string>TimeIntelligenceCurrentTime</string>
<string>TimeIntelligenceFormula</string>
<string>ServiceUrl</string>
<string>CommentsUrl</string>
<string>ToolBarId</string>
<string>ToolBarType</string>
<string>TableId</string>
<string>ViewTableType</string>
<string>SortFilterType</string>
<string>AccessibilityMode</string>
<string>AllowFilter</string>
<string>AllowSort</string>
<string>AllowStatusFilter</string>
<string>RollupType</string>
</Keys>
<Values>
<string>[{"DisplayName":"On Target","GroupId":

```

```

        "c7648a29-9ad7-dd4f-70d8-a19655c6deb8.3", "IsSelected": false},
        {"DisplayName": "Slightly Off Target", "GroupId":
        "c7648a29-9ad7-dd4f-70d8-a19655c6deb8.2", "IsSelected": false},
        {"DisplayName": "Off Target", "GroupId":
        "c7648a29-9ad7-dd4f-70d8-a19655c6deb8.1", "IsSelected": false}]
    </string>
    <string>1:2</string>
    <string>1</string>
    <string>8f60f30d01a4dc3e61ea7e3e6b1e4b89</string>
    <string>50289e50956c420f9509d60199260bf4</string>
    <string>true</string>
    <string>true</string>
    <string>
        %3c%3fxml+version%3d%221.0%22+encoding%3d%22utf-
        16%22%3f%3e%0d%0a%3cmsfs+%2f%3e
    </string>
    <string></string>
    <string></string>
    <string>
        /_vti_bin/PPS/BIMonitoringRenderingService.
        asmx/RenderScorecardAjaxControl
    </string>
    <string>
        /_vti_bin/PPS/BIMonitoringRenderingService.
        asmx/ScorecardAjaxCommentsUpdate
    </string>
    <string>
        scctrlctl100_m_pps_b1f9f743481a4d578ae7720305724002_scorecardToolbar
    </string>
    <string>
        Microsoft.PerformancePoint.Scorecards.ServerRendering.
        Internal.ToolbarCtrl,
        Microsoft.PerformancePoint.Scorecards.ServerRendering,
        Version=14.0.0.0, Culture=neutral, PublicKeyToken=71e9bce111e9429c
    </string>
    <string>
        scctrlctl100_m_pps_b1f9f743481a4d578ae7720305724002_tv
    </string>
    <string>
        Microsoft.PerformancePoint.Scorecards.ServerRendering.
        Internal.ViewTableCtrl,
        Microsoft.PerformancePoint.Scorecards.ServerRendering,
        Version=14.0.0.0, Culture=neutral, PublicKeyToken=71e9bce111e9429c
    </string>
    <string>
        Microsoft.PerformancePoint.Scorecards.ServerRendering.
        Internal.SortAndFilterTableCtrl,
        Microsoft.PerformancePoint.Scorecards.ServerRendering,
        Version=14.0.0.0, Culture=neutral,
        PublicKeyToken=71e9bce111e9429c
    </string>
    <string>false</string>
    <string>true</string>
    <string>true</string>
    <string>true</string>
    <string>None</string>
    </Values>
</ClientViewStateWrapper>
</webPartContextUpdate>
</RenderScorecardResponse>
</s:Body>
</s:Envelope>

```

## 5 Security

### 5.1 Security Considerations for Implementers

**Secure Sockets Layer (SSL)** is required to securely implement this protocol. The protocol exposes data sources to potential tampering or data disclosure without SSL.

The security permissions for all **FirstClassElement** (see [\[MS-PPSAS\]](#)) objects are based on the list containing the object.

The security permissions for **Annotation** (see [MS-PPSAS]) are inherited from the parent **FirstClassElement** objects.

### 5.2 Index of Security Parameters

None.

Preliminary



## 6 Appendix A: Full WSDL

WSDL name	Prefix	Section
<a href="http://www.microsoft.com/performancepoint/scorecards">http://www.microsoft.com/performancepoint/scorecards</a>	tns	<a href="#">6.1</a>
<a href="http://tempuri.org/">http://tempuri.org/</a>	Unassigned	<a href="#">6.2</a>

For ease of implementation, the full WSDLs are provided in the following sections.

### 6.1 <http://www.microsoft.com/performancepoint/scorecards> WSDL

```
<?xml version="1.0" encoding="utf-8"?>
<wsdl:definitions xmlns:i0="http://www.microsoft.com/performancepoint/scorecards"
xmlns:soap="http://schemas.xmlsoap.org/wsdl/soap/"
xmlns:wsam="http://www.w3.org/2007/05/addressing/metadata"
xmlns:xsd="http://www.w3.org/2001/XMLSchema"
xmlns:tns="http://www.microsoft.com/performancepoint/scorecards"
name="BIMonitoringServiceApplication"
targetNamespace="http://www.microsoft.com/performancepoint/scorecards"
xmlns:wsdl="http://schemas.xmlsoap.org/wsdl/">
  <wsdl:types>
    <xs:schema attributeFormDefault="unqualified" elementFormDefault="qualified"
targetNamespace="http://www.microsoft.com/performancepoint/scorecards"
xmlns:xs="http://www.w3.org/2001/XMLSchema">
      <xs:import namespace="http://microsoft.com/wsdl/types/" />
      <xs:import namespace="http://www.w3.org/2001/XMLSchema" />
      <xs:import
namespace="http://schemas.datacontract.org/2004/07/Microsoft.PerformancePoint.Scorecards" />
      <xs:import
namespace="http://schemas.datacontract.org/2004/07/Microsoft.PerformancePoint.Scorecards.Serv
erCommon.Export" />
      <xs:import
namespace="http://schemas.datacontract.org/2004/07/Microsoft.PerformancePoint.Scorecards.Serv
erCommon" />
      <xs:element name="DeleteDataSource">
        <xs:complexType>
          <xs:sequence>
            <xs:element minOccurs="0" maxOccurs="1" name="location"
type="tns:RepositoryLocation" />
          </xs:sequence>
        </xs:complexType>
      </xs:element>
      <xs:element name="FirstClassObjectType" type="tns:FirstClassObjectType" />
      <xs:simpleType name="FirstClassObjectType">
        <xs:restriction base="xs:string">
          <xs:enumeration value="None" />
          <xs:enumeration value="Kpi" />
          <xs:enumeration value="Scorecard" />
          <xs:enumeration value="ReportView" />
          <xs:enumeration value="Indicator" />
          <xs:enumeration value="DataSource" />
          <xs:enumeration value="Dashboard" />
          <xs:enumeration value="TempReportView" />
          <xs:enumeration value="Filter" />
        </xs:restriction>
      </xs:simpleType>
      <xs:complexType name="RepositoryLocation">
        <xs:attribute name="ItemUrl" type="xs:string" use="required" />
        <xs:attribute default="None" name="ItemType" type="tns:FirstClassObjectType"
use="optional" />
        <xs:attribute default="00000000-0000-0000-0000-000000000000" name="ItemGuid"
use="optional">
          <xs:simpleType>
            <xs:restriction base="xs:string">
```

```

        <xs:pattern value="[0-9a-fA-F]{8}-[0-9a-fA-F]{4}-[0-9a-fA-F]{4}-[0-9a-fA-F]{4}-[0-9a-fA-F]{12}" />
    </xs:restriction>
</xs:simpleType>
</xs:attribute>
    <xs:attribute default="00000000-0000-0000-0000-000000000000"
name="SpSiteCollectionGuid" use="optional">
    <xs:simpleType>
        <xs:restriction base="xs:string">
            <xs:pattern value="[0-9a-fA-F]{8}-[0-9a-fA-F]{4}-[0-9a-fA-F]{4}-[0-9a-fA-F]{4}-[0-9a-fA-F]{12}" />
        </xs:restriction>
    </xs:simpleType>
</xs:attribute>
    <xs:attribute default="00000000-0000-0000-0000-000000000000" name="SpSiteGuid"
use="optional">
    <xs:simpleType>
        <xs:restriction base="xs:string">
            <xs:pattern value="[0-9a-fA-F]{8}-[0-9a-fA-F]{4}-[0-9a-fA-F]{4}-[0-9a-fA-F]{4}-[0-9a-fA-F]{12}" />
        </xs:restriction>
    </xs:simpleType>
</xs:attribute>
    <xs:attribute default="00000000-0000-0000-0000-000000000000" name="SpListGuid"
use="optional">
    <xs:simpleType>
        <xs:restriction base="xs:string">
            <xs:pattern value="[0-9a-fA-F]{8}-[0-9a-fA-F]{4}-[0-9a-fA-F]{4}-[0-9a-fA-F]{4}-[0-9a-fA-F]{12}" />
        </xs:restriction>
    </xs:simpleType>
</xs:attribute>
</xs:complexType>
<xs:element name="DeleteDataSourceResponse">
    <xs:complexType />
</xs:element>
<xs:element name="SaveFilterValues">
    <xs:complexType>
        <xs:sequence>
            <xs:element minOccurs="0" maxOccurs="1" name="elementLocation"
type="tns:RepositoryLocation" />
            <xs:element minOccurs="0" maxOccurs="1" name="parameterDefinition"
type="tns:ParameterDefinition" />
            <xs:element minOccurs="0" maxOccurs="1" name="selections"
type="tns:ArrayOfString" />
        </xs:sequence>
    </xs:complexType>
</xs:element>
<xs:complexType name="ParameterDefinition">
    <xs:sequence>
        <xs:element minOccurs="0" maxOccurs="1" name="ParameterUniqueName" type="xs:string" />
    </xs:sequence>
</xs:complexType>
</xs:element>
<xs:element minOccurs="0" maxOccurs="1" name="DisplayValues">
    <xs:complexType>
        <xs:sequence>
            <xs:any minOccurs="0" maxOccurs="unbounded"
namespace="http://www.w3.org/2001/XMLSchema" processContents="lax" />
            <xs:any minOccurs="1" namespace="urn:schemas-microsoft-com:xml-diffgram-v1"
processContents="lax" />
        </xs:sequence>
    </xs:complexType>
</xs:element>
<xs:element minOccurs="0" maxOccurs="1" name="CustomDefinition" type="xs:string" />
<xs:element minOccurs="0" maxOccurs="1" name="ParameterProviderId" type="xs:string" />
</xs:element>
<xs:element minOccurs="0" maxOccurs="1" name="DisplayName" type="xs:string" />
<xs:element minOccurs="1" maxOccurs="1" name="EmitterType"
type="tns:BeginPointEmitterType" />
    <xs:element minOccurs="0" maxOccurs="1" name="KeyColumn" type="xs:string" />

```

```

        <xs:element minOccurs="0" maxOccurs="1" name="ParentKeyColumn" type="xs:string" />
        <xs:element minOccurs="0" maxOccurs="1" name="DisplayColumn" type="xs:string" />
        <xs:element minOccurs="0" maxOccurs="1" name="IsDefaultColumn" type="xs:string" />
        <xs:element minOccurs="0" maxOccurs="1" name="DefaultPostFormula" type="xs:string"
/>
    </xs:sequence>
</xs:complexType>
<xs:simpleType name="BeginPointEmitterType">
    <xs:restriction base="xs:string">
        <xs:enumeration value="BothAConditionalVisibilityAndParameterEmitter" />
        <xs:enumeration value="ConditionalVisibilityEmitter" />
        <xs:enumeration value="ParameterEmitter" />
    </xs:restriction>
</xs:simpleType>
<xs:complexType name="ArrayOfString">
    <xs:sequence>
        <xs:element minOccurs="0" maxOccurs="unbounded" name="string" nillable="true"
type="xs:string" />
    </xs:sequence>
</xs:complexType>
<xs:element name="SaveFilterValuesResponse">
    <xs:complexType />
</xs:element>
<xs:element name="GetKpisFromScorecard">
    <xs:complexType>
        <xs:sequence>
            <xs:element minOccurs="0" maxOccurs="1" name="scorecardLocation"
type="tns:RepositoryLocation" />
        </xs:sequence>
    </xs:complexType>
</xs:element>
<xs:element name="GetKpisFromScorecardResponse">
    <xs:complexType>
        <xs:sequence>
            <xs:element minOccurs="0" maxOccurs="1" name="GetKpisFromScorecardResult"
type="tns:ArrayOfKpi" />
        </xs:sequence>
    </xs:complexType>
</xs:element>
<xs:complexType name="ArrayOfKpi">
    <xs:sequence>
        <xs:element minOccurs="0" maxOccurs="unbounded" name="Kpi" nillable="true"
type="tns:Kpi" />
    </xs:sequence>
</xs:complexType>
<xs:complexType name="Kpi">
    <xs:complexContent mixed="false">
        <xs:extension base="tns:FirstClassElement">
            <xs:sequence>
                <xs:element minOccurs="0" maxOccurs="1" name="Actuals"
type="tns:ArrayOfKpiMeasure" />
                <xs:element minOccurs="0" maxOccurs="1" name="Targets" type="tns:ArrayOfTarget"
/>
            </xs:sequence>
        </xs:extension>
    </xs:complexContent>
</xs:complexType>
<xs:complexType name="FirstClassElement" abstract="true">
    <xs:complexContent mixed="false">
        <xs:extension base="tns:Element">
            <xs:sequence>
                <xs:element minOccurs="0" maxOccurs="1" name="Version"
type="tns:ElementVersion" />
                <xs:element minOccurs="0" maxOccurs="1" name="Location"
type="tns:RepositoryLocation" />
            </xs:sequence>
            <xs:attribute name="Folder" type="xs:string" />
            <xs:attribute name="CreatedBy" type="xs:string" />
            <xs:attribute name="CreatedDate" type="xs:dateTime" use="required" />
        </xs:extension>
    </xs:complexContent>
</xs:complexType>

```

```

        <xs:attribute name="ContentType" type="tns:FCOContentType" use="required" />
        <xs:attribute name="LastModified" type="xs:dateTime" use="required" />
        <xs:attribute name="ModifiedBy" type="xs:string" />
        <xs:attribute name="CheckedOutTo" type="xs:string" />
    </xs:extension>
</xs:complexContent>
</xs:complexType>
<xs:complexType name="Element" abstract="true">
    <xs:sequence>
        <xs:element minOccurs="0" maxOccurs="1" name="Properties"
type="tns:ArrayOfBpmProperty" />
        <xs:element minOccurs="0" maxOccurs="1" name="Comments" type="tns:ArrayOfComment"
/>
    </xs:sequence>
</xs:complexType>
<xs:complexType name="ArrayOfBpmProperty">
    <xs:sequence>
        <xs:element minOccurs="0" maxOccurs="unbounded" name="BpmProperty" nillable="true"
type="tns:BpmProperty" />
    </xs:sequence>
</xs:complexType>
<xs:complexType name="BpmProperty" abstract="true">
    <xs:attribute name="UniqueName" type="xs:string" />
    <xs:attribute name="DisplayName" type="xs:string" />
    <xs:attribute name="Description" type="xs:string" />
    <xs:attribute name="Required" type="xs:boolean" use="required" />
    <xs:attribute name="Visible" type="xs:boolean" use="required" />
</xs:complexType>
<xs:complexType name="BpmPropertyDecimal">
    <xs:complexContent mixed="false">
        <xs:extension base="tns:BpmProperty">
            <xs:attribute name="Decimal" type="xs:decimal" use="required" />
        </xs:extension>
    </xs:complexContent>
</xs:complexType>
<xs:complexType name="BpmPropertyList">
    <xs:complexContent mixed="false">
        <xs:extension base="tns:BpmProperty">
            <xs:sequence>
                <xs:element minOccurs="0" maxOccurs="1" name="ListItems"
type="tns:ArrayOfBpmPropertyListItem" />
            </xs:sequence>
            <xs:attribute name="SelectedIndex" type="xs:int" use="required" />
        </xs:extension>
    </xs:complexContent>
</xs:complexType>
<xs:complexType name="ArrayOfBpmPropertyListItem">
    <xs:sequence>
        <xs:element minOccurs="0" maxOccurs="unbounded" name="BpmPropertyListItem"
nillable="true" type="tns:BpmPropertyListItem" />
    </xs:sequence>
</xs:complexType>
<xs:complexType name="BpmPropertyListItem">
    <xs:attribute name="Name" type="xs:string" />
    <xs:attribute name="Value" type="xs:string" />
</xs:complexType>
<xs:complexType name="BpmPropertyDate">
    <xs:complexContent mixed="false">
        <xs:extension base="tns:BpmProperty">
            <xs:attribute name="Date" type="xs:dateTime" use="required" />
        </xs:extension>
    </xs:complexContent>
</xs:complexType>
<xs:complexType name="BpmPropertyLongText">
    <xs:complexContent mixed="false">
        <xs:extension base="tns:BpmProperty">
            <xs:attribute name="Text" type="xs:string" />
        </xs:extension>
    </xs:complexContent>
</xs:complexType>

```

```

</xs:complexType>
<xs:complexType name="BpmPropertyText">
  <xs:complexContent mixed="false">
    <xs:extension base="tns:BpmProperty">
      <xs:attribute name="Text" type="xs:string" />
    </xs:extension>
  </xs:complexContent>
</xs:complexType>
<xs:complexType name="BpmPropertyUser">
  <xs:complexContent mixed="false">
    <xs:extension base="tns:BpmProperty">
      <xs:attribute name="Login" type="xs:string" />
    </xs:extension>
  </xs:complexContent>
</xs:complexType>
<xs:complexType name="BpmPropertyLinkBase">
  <xs:complexContent mixed="false">
    <xs:extension base="tns:BpmProperty">
      <xs:attribute name="Hyperlink" type="xs:string" />
    </xs:extension>
  </xs:complexContent>
</xs:complexType>
<xs:complexType name="BpmPropertyHyperlink2">
  <xs:complexContent mixed="false">
    <xs:extension base="tns:BpmPropertyLinkBase" />
  </xs:complexContent>
</xs:complexType>
<xs:complexType name="BpmPropertyHyperlink">
  <xs:complexContent mixed="false">
    <xs:extension base="tns:BpmPropertyLinkBase" />
  </xs:complexContent>
</xs:complexType>
<xs:complexType name="BpmPropertyBool">
  <xs:complexContent mixed="false">
    <xs:extension base="tns:BpmProperty">
      <xs:attribute name="Value" type="xs:boolean" use="required" />
    </xs:extension>
  </xs:complexContent>
</xs:complexType>
<xs:complexType name="ArrayOfComment">
  <xs:sequence>
    <xs:element minOccurs="0" maxOccurs="unbounded" name="Comment" nillable="true"
type="tns:Comment" />
  </xs:sequence>
</xs:complexType>
<xs:complexType name="Comment">
  <xs:attribute xmlns:q1="http://microsoft.com/wsdl/types/" name="Guid" type="q1:guid"
use="required" />
  <xs:attribute name="CreatedBy" type="xs:string" />
  <xs:attribute name="CreatedDate" type="xs:dateTime" use="required" />
  <xs:attribute name="Message" type="xs:string" />
</xs:complexType>
<xs:complexType name="SecondClassElement" abstract="true">
  <xs:complexContent mixed="false">
    <xs:extension base="tns:Element">
      <xs:attribute xmlns:q2="http://microsoft.com/wsdl/types/" name="Guid"
type="q2:guid" use="required" />
    </xs:extension>
  </xs:complexContent>
</xs:complexType>
<xs:complexType name="KpiMeasure">
  <xs:complexContent mixed="false">
    <xs:extension base="tns:SecondClassElement">
      <xs:sequence>
        <xs:element minOccurs="0" maxOccurs="1" name="OwnerKpiLocation"
type="tns:RepositoryLocation" />
        <xs:element minOccurs="0" maxOccurs="1" name="DataSourceLocation"
type="tns:RepositoryLocation" />
      </xs:sequence>
    </xs:extension>
  </xs:complexContent>
</xs:complexType>

```

```

        <xs:element minOccurs="0" maxOccurs="1" name="DefaultDimensionSettings"
type="tns:ArrayOfDefaultDimensionSetting" />
        <xs:element minOccurs="0" maxOccurs="1" name="OverrideFormatProperties"
type="tns:KpiNumberFormatProperties" />
        <xs:element minOccurs="0" maxOccurs="1" name="CalcFormulaInfo"
type="tns:CalculatedFormulaInfo" />
    </xs:sequence>
    <xs:attribute name="AggregateBy" type="tns:AggregateTypeEnum" use="required" />
    <xs:attribute name="DisableScorecardFilters" type="xs:boolean" use="required" />
    <xs:attribute name="ModelCurrent" type="xs:decimal" use="required" />
    <xs:attribute name="Pattern" type="tns:KpiPattern" use="required" />
    <xs:attribute name="CurrentFormula" type="xs:string" />
    <xs:attribute name="IsCustomCurrentFormula" type="xs:boolean" use="required" />
    <xs:attribute name="OdbcQuery" type="xs:string" />
    <xs:attribute name="OverrideHoverText" type="xs:string" />
    <xs:attribute name="TimeFilterFormula" type="xs:string" />
    <xs:attribute name="ValueSource" type="tns:ValueSources" use="required" />
</xs:extension>
</xs:complexType>
<xs:complexType name="ArrayOfDefaultDimensionSetting">
    <xs:sequence>
        <xs:element minOccurs="0" maxOccurs="unbounded" name="DefaultDimensionSetting"
nillable="true" type="tns:DefaultDimensionSetting" />
    </xs:sequence>
</xs:complexType>
<xs:complexType name="DefaultDimensionSetting">
    <xs:complexContent mixed="false">
        <xs:extension base="tns:Dimension">
            <xs:sequence>
                <xs:element minOccurs="0" maxOccurs="unbounded" name="Members"
type="tns:Member" />
            </xs:sequence>
            <xs:attribute name="IsVisible" type="xs:boolean" use="required" />
            <xs:attribute name="ShowAsSlider" type="xs:boolean" use="required" />
        </xs:extension>
    </xs:complexContent>
</xs:complexType>
<xs:complexType name="Dimension">
    <xs:complexContent mixed="false">
        <xs:extension base="tns:NameInfo">
            <xs:sequence>
                <xs:element minOccurs="0" maxOccurs="1" name="MeasureGroupNames"
type="tns:ArrayOfString" />
                <xs:element minOccurs="1" maxOccurs="1" name="Type"
type="tns:DimensionTypeEnum" />
                <xs:element minOccurs="0" maxOccurs="1" name="Hierarchies"
type="tns:ArrayOfHierarchy" />
                <xs:element minOccurs="0" maxOccurs="1" name="Levels" type="tns:ArrayOfLevel"
/>
            </xs:sequence>
            <xs:attribute name="IsMeasureDimension" type="xs:boolean" use="required" />
            <xs:attribute name="DefaultMemberName" type="xs:string" />
        </xs:extension>
    </xs:complexContent>
</xs:complexType>
<xs:complexType name="NameInfo">
    <xs:attribute name="DisplayName" type="xs:string" />
    <xs:attribute name="UniqueName" type="xs:string" />
    <xs:attribute name="Description" type="xs:string" />
</xs:complexType>
<xs:complexType name="Level">
    <xs:complexContent mixed="false">
        <xs:extension base="tns:NameInfo">
            <xs:attribute name="DimensionUniqueName" type="xs:string" />
            <xs:attribute name="HierarchyUniqueName" type="xs:string" />
            <xs:attribute name="IsAllLevel" type="xs:boolean" use="required" />
            <xs:attribute name="LevelNumber" type="xs:int" use="required" />
        </xs:extension>
    </xs:complexContent>
</xs:complexType>

```

```

    </xs:complexContent>
  </xs:complexType>
  <xs:complexType name="Hierarchy">
    <xs:complexContent mixed="false">
      <xs:extension base="tns:NameInfo">
        <xs:sequence>
          <xs:element minOccurs="0" maxOccurs="1" name="Levels" type="tns:ArrayOfLevel"
/>
          </xs:sequence>
          <xs:attribute name="DefaultMemberName" type="xs:string" />
          <xs:attribute name="DimensionUniqueName" type="xs:string" />
          <xs:attribute name="DisplayFolder" type="xs:string" />
          <xs:attribute name="HierarchyOrigin" type="tns:HierarchyOrigin" use="required" />
        </xs:extension>
      </xs:complexContent>
    </xs:complexType>
    <xs:complexType name="ArrayOfLevel">
      <xs:sequence>
        <xs:element minOccurs="0" maxOccurs="unbounded" name="Level" nillable="true"
type="tns:Level" />
      </xs:sequence>
    </xs:complexType>
    <xs:simpleType name="HierarchyOrigin">
      <xs:restriction base="xs:string">
        <xs:enumeration value="None" />
        <xs:enumeration value="AttributeHierarchy" />
        <xs:enumeration value="ParentChildHierarchy" />
        <xs:enumeration value="UserHierarchy" />
      </xs:restriction>
    </xs:simpleType>
    <xs:simpleType name="DimensionTypeEnum">
      <xs:restriction base="xs:string">
        <xs:enumeration value="Accounts" />
        <xs:enumeration value="BillOfMaterials" />
        <xs:enumeration value="Channel" />
        <xs:enumeration value="Currency" />
        <xs:enumeration value="Customers" />
        <xs:enumeration value="Geography" />
        <xs:enumeration value="Measure" />
        <xs:enumeration value="Organization" />
        <xs:enumeration value="Other" />
        <xs:enumeration value="Products" />
        <xs:enumeration value="Promotion" />
        <xs:enumeration value="Quantitative" />
        <xs:enumeration value="Rates" />
        <xs:enumeration value="Scenario" />
        <xs:enumeration value="Time" />
        <xs:enumeration value="Unknown" />
        <xs:enumeration value="Utility" />
      </xs:restriction>
    </xs:simpleType>
    <xs:complexType name="ArrayOfHierarchy">
      <xs:sequence>
        <xs:element minOccurs="0" maxOccurs="unbounded" name="Hierarchy" nillable="true"
type="tns:Hierarchy" />
      </xs:sequence>
    </xs:complexType>
    <xs:complexType name="Member">
      <xs:sequence>
        <xs:element minOccurs="0" maxOccurs="1" name="MemberOperation"
type="tns:MemberOperation" />
      </xs:sequence>
      <xs:attribute name="Caption" type="xs:string" />
      <xs:attribute name="UniqueName" type="xs:string" />
      <xs:attribute name="LevelName" type="xs:string" />
      <xs:attribute name="DimensionName" type="xs:string" />
      <xs:attribute name="LevelDepth" type="xs:int" use="required" />
      <xs:attribute name="ChildCount" type="xs:long" use="required" />
      <xs:attribute name="IsChildCountReal" type="xs:boolean" use="required" />

```

```

    <xs:attribute name="IsAllLevel" type="xs:boolean" use="required" />
    <xs:attribute name="DimensionUniqueName" type="xs:string" />
    <xs:attribute name="MemberType" type="tns:MemberType" use="required" />
  </xs:complexType>
  <xs:complexType name="MemberOperation" abstract="true" />
  <xs:complexType name="MemberOperationLeafDescendants">
    <xs:complexContent mixed="false">
      <xs:extension base="tns:MemberOperation" />
    </xs:complexContent>
  </xs:complexType>
  <xs:complexType name="MemberOperationChildren">
    <xs:complexContent mixed="false">
      <xs:extension base="tns:MemberOperation" />
    </xs:complexContent>
  </xs:complexType>
  <xs:complexType name="MemberOperationDescendants">
    <xs:complexContent mixed="false">
      <xs:extension base="tns:MemberOperation">
        <xs:attribute name="LevelUniqueName" type="xs:string" />
        <xs:attribute name="LevelDisplayName" type="xs:string" />
      </xs:extension>
    </xs:complexContent>
  </xs:complexType>
  <xs:complexType name="MemberOperationHide">
    <xs:complexContent mixed="false">
      <xs:extension base="tns:MemberOperation" />
    </xs:complexContent>
  </xs:complexType>
  <xs:complexType name="MemberOperationAllDescendants">
    <xs:complexContent mixed="false">
      <xs:extension base="tns:MemberOperation" />
    </xs:complexContent>
  </xs:complexType>
  <xs:complexType name="MemberOperationDrillUp">
    <xs:complexContent mixed="false">
      <xs:extension base="tns:MemberOperation" />
    </xs:complexContent>
  </xs:complexType>
  <xs:simpleType name="MemberType">
    <xs:restriction base="xs:string">
      <xs:enumeration value="Regular" />
      <xs:enumeration value="Operation" />
      <xs:enumeration value="Default" />
      <xs:enumeration value="Formula" />
    </xs:restriction>
  </xs:simpleType>
  <xs:complexType name="KpiNumberFormatProperties">
    <xs:attribute name="Multiplier" type="xs:decimal" use="required" />
    <xs:attribute name="FormatType" type="tns:FormatType" use="required" />
    <xs:attribute name="CurrencySymbol" type="xs:string" />
    <xs:attribute name="DecimalPlaces" type="xs:int" use="required" />
    <xs:attribute name="NegativeSymbol" type="tns:FormatNegativeSymbol" use="required" />
    <xs:attribute name="ShowZeroAs" type="xs:string" />
    <xs:attribute name="UseThousandsSeparator" type="xs:boolean" use="required" />
    <xs:attribute name="AdditionalTextLeft" type="xs:string" />
    <xs:attribute name="AdditionalTextRight" type="xs:string" />
  </xs:complexType>
  <xs:simpleType name="FormatType">
    <xs:restriction base="xs:string">
      <xs:enumeration value="Default" />
      <xs:enumeration value="Number" />
      <xs:enumeration value="Currency" />
      <xs:enumeration value="Percentage" />
      <xs:enumeration value="Unknown" />
    </xs:restriction>
  </xs:simpleType>
  <xs:simpleType name="FormatNegativeSymbol">
    <xs:restriction base="xs:string">
      <xs:enumeration value="NegativeSign" />
    </xs:restriction>
  </xs:simpleType>

```



```

        <xs:enumeration value="Parenthesis" />
    </xs:restriction>
</xs:simpleType>
<xs:complexType name="CalculatedFormulaInfo">
    <xs:sequence>
        <xs:element minOccurs="0" maxOccurs="1" name="AliasInfoCollection"
type="tns:ArrayOfAliasInfo" />
    </xs:sequence>
    <xs:attribute name="Formula" type="xs:string" />
</xs:complexType>
<xs:complexType name="ArrayOfAliasInfo">
    <xs:sequence>
        <xs:element minOccurs="0" maxOccurs="unbounded" name="AliasInfo" nillable="true"
type="tns:AliasInfo" />
    </xs:sequence>
</xs:complexType>
<xs:complexType name="AliasInfo">
    <xs:sequence>
        <xs:element minOccurs="0" maxOccurs="1" name="AliasCalculationInfo"
type="tns:KpiMeasure" />
    </xs:sequence>
    <xs:attribute name="AliasName" type="xs:string" />
</xs:complexType>
<xs:simpleType name="AggregateTypeEnum">
    <xs:restriction base="xs:string">
        <xs:enumeration value="Default" />
        <xs:enumeration value="Sum" />
        <xs:enumeration value="Minimum" />
        <xs:enumeration value="Maximum" />
        <xs:enumeration value="Count" />
        <xs:enumeration value="Average" />
    </xs:restriction>
</xs:simpleType>
<xs:simpleType name="KpiPattern">
    <xs:restriction base="xs:string">
        <xs:enumeration value="IncreasingIsBetter" />
        <xs:enumeration value="DecreasingIsBetter" />
        <xs:enumeration value="CloserToTargetIsBetter" />
    </xs:restriction>
</xs:simpleType>
<xs:simpleType name="ValueSources">
    <xs:restriction base="xs:string">
        <xs:enumeration value="Default" />
        <xs:enumeration value="NoValue" />
        <xs:enumeration value="SourceData" />
        <xs:enumeration value="Text" />
        <xs:enumeration value="AverageRollup" />
        <xs:enumeration value="MinRollup" />
        <xs:enumeration value="MaxRollup" />
        <xs:enumeration value="TotalRollup" />
    </xs:restriction>
</xs:simpleType>
<xs:complexType name="Target">
    <xs:complexContent mixed="false">
        <xs:extension base="tns:KpiMeasure">
            <xs:sequence>
                <xs:element minOccurs="0" maxOccurs="1" name="IndicatorLocation"
type="tns:RepositoryLocation" />
                <xs:element minOccurs="0" maxOccurs="1" name="StatedScore"
type="tns:KpiMeasure" />
                <xs:element minOccurs="0" maxOccurs="1" name="Banding" type="tns:Banding" />
                <xs:element xmlns:q3="http://microsoft.com/wsdl/types/" minOccurs="1"
maxOccurs="1" name="RelatedActualId" type="q3:guid" />
            </xs:sequence>
            <xs:attribute name="IsRollupScore" type="xs:boolean" use="required" />
        </xs:extension>
    </xs:complexContent>
</xs:complexType>
<xs:complexType name="Banding">

```

```

    <xs:sequence>
      <xs:element minOccurs="0" maxOccurs="1" name="CustomBoundary"
type="tns:ArrayOfDecimal" />
    </xs:sequence>
    <xs:attribute name="Type" type="tns:BandType" use="required" />
    <xs:attribute name="BandValue" type="xs:string" />
    <xs:attribute name="ActualWorst" type="xs:decimal" use="required" />
    <xs:attribute name="SpreadMinimum" type="xs:decimal" use="required" />
    <xs:attribute name="SpreadMaximum" type="xs:decimal" use="required" />
  </xs:complexType>
  <xs:complexType name="ArrayOfDecimal">
    <xs:sequence>
      <xs:element minOccurs="0" maxOccurs="unbounded" name="decimal" type="xs:decimal" />
    </xs:sequence>
  </xs:complexType>
  <xs:simpleType name="BandType">
    <xs:restriction base="xs:string">
      <xs:enumeration value="Normalized" />
      <xs:enumeration value="Actual" />
      <xs:enumeration value="StatedScore" />
    </xs:restriction>
  </xs:simpleType>
  <xs:complexType name="ElementVersion">
    <xs:attribute name="Major" type="xs:int" use="required" />
    <xs:attribute name="Minor" type="xs:int" use="required" />
  </xs:complexType>
  <xs:simpleType name="FCOContentType">
    <xs:list>
      <xs:simpleType>
        <xs:restriction base="xs:string">
          <xs:enumeration value="None" />
          <xs:enumeration value="PpsDashboard" />
          <xs:enumeration value="PpsScorecard" />
          <xs:enumeration value="PpsKpi" />
          <xs:enumeration value="PpsReportView" />
          <xs:enumeration value="PpsIndicator" />
          <xs:enumeration value="PpsDataSource" />
          <xs:enumeration value="PpsFilter" />
        </xs:restriction>
      </xs:simpleType>
    </xs:list>
  </xs:simpleType>
  <xs:complexType name="ArrayOfKpiMeasure">
    <xs:sequence>
      <xs:element minOccurs="0" maxOccurs="unbounded" name="KpiMeasure" nillable="true"
type="tns:KpiMeasure" />
    </xs:sequence>
  </xs:complexType>
  <xs:complexType name="ArrayOfTarget">
    <xs:sequence>
      <xs:element minOccurs="0" maxOccurs="unbounded" name="Target" nillable="true"
type="tns:Target" />
    </xs:sequence>
  </xs:complexType>
  <xs:element name="GetAnalyticReportView">
    <xs:complexType>
      <xs:sequence>
        <xs:element minOccurs="0" maxOccurs="1" name="analyticReportViewLocation"
type="tns:RepositoryLocation" />
      </xs:sequence>
    </xs:complexType>
  </xs:element>
  <xs:element name="GetAnalyticReportViewResponse">
    <xs:complexType>
      <xs:sequence>
        <xs:element minOccurs="0" maxOccurs="1" name="GetAnalyticReportViewResult"
type="tns:ReportView" />
      </xs:sequence>
    </xs:complexType>
  </xs:element>

```

```

</xs:element>
<xs:complexType name="ReportView">
  <xs:complexContent mixed="false">
    <xs:extension base="tns:FirstClassElement">
      <xs:sequence>
        <xs:element minOccurs="0" maxOccurs="1" name="ScorecardLocation"
type="tns:RepositoryLocation" />
        <xs:element minOccurs="0" maxOccurs="1" name="CustomData" type="xs:string" />
        <xs:element minOccurs="0" maxOccurs="1" name="EndPoints"
type="tns:ArrayOfEndPoint" />
        <xs:element minOccurs="0" maxOccurs="1" name="BeginPoints"
type="tns:ArrayOfParameterDefinition" />
      </xs:sequence>
      <xs:attribute name="TypeName" type="xs:string" />
      <xs:attribute name="RenderClientSide" type="xs:boolean" use="required" />
      <xs:attribute xmlns:q4="http://microsoft.com/wsdl/types/" name="ConfiguredViewId"
type="q4:guid" use="required" />
      <xs:attribute name="SubTypeId" type="xs:string" />
      <xs:attribute name="RendererClassName" type="xs:string" />
    </xs:extension>
  </xs:complexContent>
</xs:complexType>
<xs:complexType name="ArrayOfEndPoint">
  <xs:sequence>
    <xs:element minOccurs="0" maxOccurs="unbounded" name="EndPoint" nillable="true"
type="tns:EndPoint" />
  </xs:sequence>
</xs:complexType>
<xs:complexType name="EndPoint">
  <xs:attribute name="Category" type="tns:EndPointCategory" use="required" />
  <xs:attribute name="UniqueName" type="xs:string" />
  <xs:attribute name="DisplayName" type="xs:string" />
  <xs:attribute name="AcceptsMultipleFilterLinks" type="xs:boolean" use="required" />
</xs:complexType>
<xs:simpleType name="EndPointCategory">
  <xs:restriction base="xs:string">
    <xs:enumeration value="None" />
    <xs:enumeration value="Axis" />
    <xs:enumeration value="ColumnHierarchy" />
    <xs:enumeration value="RowHierarchy" />
  </xs:restriction>
</xs:simpleType>
<xs:complexType name="ArrayOfParameterDefinition">
  <xs:sequence>
    <xs:element minOccurs="0" maxOccurs="unbounded" name="ParameterDefinition"
nillable="true" type="tns:ParameterDefinition" />
  </xs:sequence>
</xs:complexType>
<xs:element name="GetStrategyMapReportView">
  <xs:complexType>
    <xs:sequence>
      <xs:element minOccurs="0" maxOccurs="1" name="strategyMapReportViewLocation"
type="tns:RepositoryLocation" />
    </xs:sequence>
  </xs:complexType>
</xs:element>
<xs:element name="GetStrategyMapReportViewResponse">
  <xs:complexType>
    <xs:sequence>
      <xs:element minOccurs="0" maxOccurs="1" name="GetStrategyMapReportViewResult"
type="tns:ReportView" />
    </xs:sequence>
  </xs:complexType>
</xs:element>
<xs:element name="GetLatestAnalyticReportVersion">
  <xs:complexType>
    <xs:sequence>
      <xs:element xmlns:q5="http://microsoft.com/wsdl/types/" minOccurs="1"
maxOccurs="1" name="analyticReportViewId" type="q5:guid" />
    </xs:sequence>
  </xs:complexType>
</xs:element>

```

```

        </xs:sequence>
    </xs:complexType>
</xs:element>
<xs:element name="GetLatestAnalyticReportVersionResponse">
    <xs:complexType>
        <xs:sequence>
            <xs:element minOccurs="1" maxOccurs="1"
name="GetLatestAnalyticReportVersionResult" type="xs:int" />
        </xs:sequence>
    </xs:complexType>
</xs:element>
<xs:element name="GetSettings">
    <xs:complexType />
</xs:element>
<xs:element name="GetSettingsResponse">
    <xs:complexType>
        <xs:sequence>
            <xs:element minOccurs="0" maxOccurs="1" name="GetSettingsResult"
type="tns:ArrayOfSetting" />
        </xs:sequence>
    </xs:complexType>
</xs:element>
<xs:complexType name="ArrayOfSetting">
    <xs:sequence>
        <xs:element minOccurs="0" maxOccurs="unbounded" name="Setting" nillable="true"
type="tns:Setting" />
    </xs:sequence>
</xs:complexType>
<xs:complexType name="Setting">
    <xs:attribute name="Key" type="xs:string" />
    <xs:attribute name="Type" type="tns:SettingType" use="required" />
    <xs:attribute name="Value" type="xs:string" />
    <xs:attribute name="DefaultValue" type="xs:string" />
</xs:complexType>
<xs:simpleType name="SettingType">
    <xs:restriction base="xs:string">
        <xs:enumeration value="String" />
        <xs:enumeration value="Boolean" />
        <xs:enumeration value="Integer" />
    </xs:restriction>
</xs:simpleType>
<xs:element name="GetSetting">
    <xs:complexType>
        <xs:sequence>
            <xs:element minOccurs="0" maxOccurs="1" name="key" type="xs:string" />
        </xs:sequence>
    </xs:complexType>
</xs:element>
<xs:element name="GetSettingResponse">
    <xs:complexType>
        <xs:sequence>
            <xs:element minOccurs="0" maxOccurs="1" name="GetSettingResult"
type="tns:Setting" />
        </xs:sequence>
    </xs:complexType>
</xs:element>
<xs:element name="GetSettingValue">
    <xs:complexType>
        <xs:sequence>
            <xs:element minOccurs="0" maxOccurs="1" name="key" type="xs:string" />
        </xs:sequence>
    </xs:complexType>
</xs:element>
<xs:element name="GetSettingValueResponse">
    <xs:complexType>
        <xs:sequence>
            <xs:element minOccurs="0" maxOccurs="1" name="GetSettingValueResult"
type="xs:string" />
        </xs:sequence>
    </xs:complexType>
</xs:element>

```

```

    </xs:complexType>
  </xs:element>
  <xs:element name="UpdateSettingValue">
    <xs:complexType>
      <xs:sequence>
        <xs:element minOccurs="0" maxOccurs="1" name="key" type="xs:string" />
        <xs:element minOccurs="0" maxOccurs="1" name="value" type="xs:string" />
      </xs:sequence>
    </xs:complexType>
  </xs:element>
  <xs:element name="UpdateSettingValueResponse">
    <xs:complexType />
  </xs:element>
  <xs:element name="GetAnnotationSetting">
    <xs:complexType />
  </xs:element>
  <xs:element name="GetAnnotationSettingResponse">
    <xs:complexType>
      <xs:sequence>
        <xs:element minOccurs="0" maxOccurs="1" name="GetAnnotationSettingResult"
type="tns:AnnotationSetting" />
      </xs:sequence>
    </xs:complexType>
  </xs:element>
  <xs:complexType name="AnnotationSetting">
    <xs:attribute name="IsAnnotationEnabled" type="xs:boolean" use="required" />
    <xs:attribute name="IsAnnotationEnabledDefault" type="xs:boolean" use="required" />
    <xs:attribute name="IsDeletionByAuthorEnabled" type="xs:boolean" use="required" />
    <xs:attribute name="IsDeletionByAuthorEnabledDefault" type="xs:boolean"
use="required" />
    <xs:attribute name="MaxAnnotationAllowed" type="xs:int" use="required" />
  </xs:complexType>
  <xs:element name="GetDependentElements">
    <xs:complexType>
      <xs:sequence>
        <xs:element minOccurs="0" maxOccurs="1" name="missingItems"
type="tns:ArrayOfRepositoryLocation" />
      </xs:sequence>
    </xs:complexType>
  </xs:element>
  <xs:complexType name="ArrayOfRepositoryLocation">
    <xs:sequence>
      <xs:element minOccurs="0" maxOccurs="unbounded" name="RepositoryLocation"
nillable="true" type="tns:RepositoryLocation" />
    </xs:sequence>
  </xs:complexType>
  <xs:element name="GetDependentElementsResponse">
    <xs:complexType>
      <xs:sequence>
        <xs:element minOccurs="0" maxOccurs="1" name="GetDependentElementsResult"
type="tns:DependentElementInfo" />
      </xs:sequence>
    </xs:complexType>
  </xs:element>
  <xs:complexType name="DependentElementInfo">
    <xs:sequence>
      <xs:element minOccurs="0" maxOccurs="1" name="DependentLists"
type="tns:ArrayOfRepositoryList" />
      <xs:element minOccurs="0" maxOccurs="1" name="DependentElements"
type="tns:ArrayOfFirstClassElement" />
    </xs:sequence>
  </xs:complexType>
  <xs:complexType name="ArrayOfRepositoryList">
    <xs:sequence>
      <xs:element minOccurs="0" maxOccurs="unbounded" name="RepositoryList"
nillable="true" type="tns:RepositoryList" />
    </xs:sequence>
  </xs:complexType>
  <xs:complexType name="RepositoryList">

```

```

<xs:sequence>
  <xs:element minOccurs="0" maxOccurs="1" name="Location">
    <xs:complexType>
      <xs:sequence>
        <xs:element ref="xs:schema" />
        <xs:any />
      </xs:sequence>
    </xs:complexType>
  </xs:element>
  <xs:element minOccurs="1" maxOccurs="1" name="SupportedTypes"
type="tns:FCOContentType" />
  <xs:element minOccurs="0" maxOccurs="1" name="Title" type="xs:string" />
  <xs:element xmlns:q6="http://microsoft.com/wsdl/types/" minOccurs="1" maxOccurs="1"
name="ListId" type="q6:guid" />
</xs:sequence>
</xs:complexType>
<xs:complexType name="ArrayOfFirstClassElement">
  <xs:sequence>
    <xs:element minOccurs="0" maxOccurs="unbounded" name="FirstClassElement"
nillable="true" type="tns:FirstClassElement" />
  </xs:sequence>
</xs:complexType>
<xs:element name="GetTreeMembersDataTable">
  <xs:complexType>
    <xs:sequence>
      <xs:element minOccurs="0" maxOccurs="1" name="dataSource" type="tns:DataSource"
/>
      <xs:element minOccurs="0" maxOccurs="1" name="memberUniqueName" type="xs:string"
/>
      <xs:element minOccurs="0" maxOccurs="1" name="dimensionUniqueName"
type="xs:string" />
      <xs:element minOccurs="0" maxOccurs="1" name="selectedMemberKeysStr"
type="xs:string" />
      <xs:element minOccurs="1" maxOccurs="1" name="index" type="xs:int" />
      <xs:element minOccurs="1" maxOccurs="1" name="count" type="xs:int" />
    </xs:sequence>
  </xs:complexType>
</xs:element>
<xs:complexType name="DataSource">
  <xs:complexContent mixed="false">
    <xs:extension base="tns:FirstClassElement">
      <xs:sequence>
        <xs:element minOccurs="0" maxOccurs="1" name="CustomData" type="xs:string" />
        <xs:element minOccurs="0" maxOccurs="1" name="CustomTimeIntelligenceSettings"
type="xs:string" />
        <xs:element minOccurs="0" maxOccurs="1" name="DataTableMapping"
type="tns:DataTableMapping" />
      </xs:sequence>
      <xs:attribute name="SourceName" type="xs:string" />
      <xs:attribute name="ServerName" type="xs:string" />
      <xs:attribute name="DatabaseName" type="xs:string" />
      <xs:attribute name="CubeName" type="xs:string" />
      <xs:attribute name="CubeDisplayName" type="xs:string" />
      <xs:attribute name="FormattingDimensionName" type="xs:string" />
      <xs:attribute name="FormattingDimensionDisplayName" type="xs:string" />
      <xs:attribute name="FormattingDimensionType" type="tns:DimensionTypeEnum"
use="required" />
      <xs:attribute name="ConnectionString" type="xs:string" />
      <xs:attribute name="Roles" type="xs:string" />
      <xs:attribute name="UseConnectionString" type="xs:boolean" use="required" />
      <xs:attribute name="ConnectionContext" type="tns:ConnectionContext"
use="required" />
      <xs:attribute name="PassUserNameAsAdomdCustomData" type="xs:boolean"
use="required" />
      <xs:attribute name="ReadOnly" type="xs:boolean" use="required" />
      <xs:attribute name="MinutesToCache" type="xs:int" use="required" />
      <xs:attribute name="ServerMajorVersion" type="xs:int" use="required" />
      <xs:attribute name="SubTypeId" type="xs:string" />
    </xs:extension>
  </xs:complexContent>
</xs:complexType>

```

```

        </xs:complexContent>
    </xs:complexType>
    <xs:complexType name="DataTableMapping">
        <xs:sequence>
            <xs:element minOccurs="0" maxOccurs="1" name="ColumnMappings"
type="tns:ArrayOfDataColumnMapping" />
            <xs:element minOccurs="0" maxOccurs="1" name="MasterTimeColumn"
type="tns:DataColumnMapping" />
        </xs:sequence>
        <xs:attribute name="DateAggregationType" type="tns:DateAggregationTypes"
use="required" />
        <xs:attribute name="CalendarStartMonth" type="xs:int" use="required" />
    </xs:complexType>
    <xs:complexType name="ArrayOfDataColumnMapping">
        <xs:sequence>
            <xs:element minOccurs="0" maxOccurs="unbounded" name="DataColumnMapping"
nillable="true" type="tns:DataColumnMapping" />
        </xs:sequence>
    </xs:complexType>
    <xs:complexType name="DataColumnMapping">
        <xs:attribute name="UniqueName" type="xs:string" />
        <xs:attribute name="KeyColumnName" type="xs:string" />
        <xs:attribute name="SourceColumnName" type="xs:string" />
        <xs:attribute name="FriendlyColumnName" type="xs:string" />
        <xs:attribute name="ColumnType" type="tns:MappedColumnTypes" use="required" />
        <xs:attribute name="FactAggregation" type="tns:FactAggregations" use="required" />
        <xs:attribute name="ColumnDataType" type="tns:MappedColumnDataTypes" use="required"
/>
    </xs:complexType>
    <xs:simpleType name="MappedColumnTypes">
        <xs:restriction base="xs:string">
            <xs:enumeration value="Ignore" />
            <xs:enumeration value="Fact" />
            <xs:enumeration value="Dimension" />
            <xs:enumeration value="TimeDimension" />
            <xs:enumeration value="Key" />
        </xs:restriction>
    </xs:simpleType>
    <xs:simpleType name="FactAggregations">
        <xs:restriction base="xs:string">
            <xs:enumeration value="Average" />
            <xs:enumeration value="Count" />
            <xs:enumeration value="Max" />
            <xs:enumeration value="Min" />
            <xs:enumeration value="None" />
            <xs:enumeration value="StDev" />
            <xs:enumeration value="Sum" />
            <xs:enumeration value="Variance" />
            <xs:enumeration value="FirstOccurance" />
        </xs:restriction>
    </xs:simpleType>
    <xs:simpleType name="MappedColumnDataTypes">
        <xs:restriction base="xs:string">
            <xs:enumeration value="NotSupported" />
            <xs:enumeration value="Number" />
            <xs:enumeration value="String" />
            <xs:enumeration value="DateTime" />
        </xs:restriction>
    </xs:simpleType>
    <xs:simpleType name="DateAggregationTypes">
        <xs:list>
            <xs:simpleType>
                <xs:restriction base="xs:string">
                    <xs:enumeration value="None" />
                    <xs:enumeration value="Second" />
                    <xs:enumeration value="Minute" />
                    <xs:enumeration value="Hour" />
                    <xs:enumeration value="Day" />
                    <xs:enumeration value="Week" />
                </xs:restriction>
            </xs:simpleType>
        </xs:list>
    </xs:simpleType>

```

```

        <xs:enumeration value="Month" />
        <xs:enumeration value="Quarter" />
        <xs:enumeration value="Year" />
        <xs:enumeration value="Semester" />
    </xs:restriction>
</xs:simpleType>
</xs:list>
</xs:simpleType>
<xs:simpleType name="ConnectionContext">
    <xs:restriction base="xs:string">
        <xs:enumeration value="ConnectAsUser" />
        <xs:enumeration value="ConnectAsSharedUser" />
    </xs:restriction>
</xs:simpleType>
<xs:element name="GetTreeMembersDataTableResponse">
    <xs:complexType>
        <xs:sequence>
            <xs:element minOccurs="0" maxOccurs="1" name="GetTreeMembersDataTableResult"
type="tns:ArrayOfTvcNodeInfo" />
        </xs:sequence>
    </xs:complexType>
</xs:element>
<xs:complexType name="ArrayOfTvcNodeInfo">
    <xs:sequence>
        <xs:element minOccurs="0" maxOccurs="unbounded" name="TvcNodeInfo" nillable="true"
type="tns:TvcNodeInfo" />
    </xs:sequence>
</xs:complexType>
<xs:complexType name="TvcNodeInfo">
    <xs:attribute name="Key" type="xs:string" />
    <xs:attribute name="ParentKey" type="xs:string" />
    <xs:attribute name="DisplayValue" type="xs:string" />
    <xs:attribute name="MemberUniqueName" type="xs:string" />
    <xs:attribute name="IsDefault" type="xs:boolean" use="required" />
</xs:complexType>
<xs:element name="RenderTreeMemberSelector">
    <xs:complexType>
        <xs:sequence>
            <xs:element minOccurs="0" maxOccurs="1" name="dataSource" type="tns:DataSource"
/>
            <xs:element minOccurs="0" maxOccurs="1" name="memberUniqueName" type="xs:string"
/>
            <xs:element minOccurs="0" maxOccurs="1" name="dimensionUniqueName"
type="xs:string" />
            <xs:element minOccurs="0" maxOccurs="1" name="selectedMemberNamesStr"
type="xs:string" />
            <xs:element minOccurs="0" maxOccurs="1" name="clientInstance" type="xs:string" />
            <xs:element minOccurs="0" maxOccurs="1" name="targetControlId" type="xs:string"
/>
            <xs:element minOccurs="1" maxOccurs="1" name="index" type="xs:int" />
            <xs:element minOccurs="1" maxOccurs="1" name="maxNumRecordsToRender"
type="xs:int" />
            <xs:element minOccurs="0" maxOccurs="1" name="resourcePath" type="xs:string" />
            <xs:element minOccurs="0" maxOccurs="1" name="displayTreeHeaderFlagStr"
type="xs:string" />
            <xs:element minOccurs="0" maxOccurs="1" name="displayTreeFooterFlagStr"
type="xs:string" />
        </xs:sequence>
    </xs:complexType>
</xs:element>
<xs:element name="RenderTreeMemberSelectorResponse">
    <xs:complexType>
        <xs:sequence>
            <xs:element minOccurs="0" maxOccurs="1" name="RenderTreeMemberSelectorResult"
type="xs:string" />
        </xs:sequence>
    </xs:complexType>
</xs:element>
<xs:element name="GetListItems">

```



```

    <xs:complexType>
      <xs:sequence>
        <xs:element minOccurs="0" maxOccurs="1" name="listUrl" type="xs:string" />
      </xs:sequence>
    </xs:complexType>
  </xs:element>
  <xs:element name="GetListItemsResponse">
    <xs:complexType>
      <xs:sequence>
        <xs:element minOccurs="0" maxOccurs="1" name="GetListItemsResult"
type="tns:ArrayOfFirstClassElement" />
      </xs:sequence>
    </xs:complexType>
  </xs:element>
  <xs:element name="QueryTimeIntelligence">
    <xs:complexType>
      <xs:sequence>
        <xs:element minOccurs="0" maxOccurs="1" name="dataSourceLocation"
type="tns:RepositoryLocation" />
        <xs:element minOccurs="1" maxOccurs="1" name="currentTime" type="xs:dateTime" />
        <xs:element minOccurs="0" maxOccurs="1" name="formula" type="xs:string" />
      </xs:sequence>
    </xs:complexType>
  </xs:element>
  <xs:element name="QueryTimeIntelligenceResponse">
    <xs:complexType>
      <xs:sequence>
        <xs:element minOccurs="0" maxOccurs="1" name="QueryTimeIntelligenceResult"
type="tns:ArrayOfMember" />
      </xs:sequence>
    </xs:complexType>
  </xs:element>
  <xs:complexType name="ArrayOfMember">
    <xs:sequence>
      <xs:element minOccurs="0" maxOccurs="unbounded" name="Member" nillable="true"
type="tns:Member" />
    </xs:sequence>
  </xs:complexType>
  <xs:element name="QueryTimeIntelligenceDirect">
    <xs:complexType>
      <xs:sequence>
        <xs:element minOccurs="0" maxOccurs="1" name="dataSource" type="tns:DataSource"
/>
        <xs:element minOccurs="1" maxOccurs="1" name="currentTime" type="xs:dateTime" />
        <xs:element minOccurs="0" maxOccurs="1" name="formula" type="xs:string" />
      </xs:sequence>
    </xs:complexType>
  </xs:element>
  <xs:element name="QueryTimeIntelligenceDirectResponse">
    <xs:complexType>
      <xs:sequence>
        <xs:element minOccurs="0" maxOccurs="1" name="QueryTimeIntelligenceDirectResult"
type="tns:ArrayOfMember" />
      </xs:sequence>
    </xs:complexType>
  </xs:element>
  <xs:element name="GetRegisteredCustomFCOs">
    <xs:complexType>
      <xs:sequence>
        <xs:element minOccurs="1" maxOccurs="1" name="type" type="tns:CustomFCOType" />
      </xs:sequence>
    </xs:complexType>
  </xs:element>
  <xs:simpleType name="CustomFCOType">
    <xs:list>
      <xs:simpleType>
        <xs:restriction base="xs:string">
          <xs:enumeration value="None" />
          <xs:enumeration value="DataSource" />
        </xs:restriction>
      </xs:simpleType>
    </xs:list>
  </xs:simpleType>

```

```

        <xs:enumeration value="Filter" />
        <xs:enumeration value="ReportView" />
        <xs:enumeration value="All" />
    </xs:restriction>
</xs:simpleType>
</xs:list>
</xs:simpleType>
<xs:element name="GetRegisteredCustomFCOsResponse">
    <xs:complexType>
        <xs:sequence>
            <xs:element minOccurs="0" maxOccurs="1" name="GetRegisteredCustomFCOsResult"
type="tns:ArrayOfCustomFCODefinition" />
        </xs:sequence>
    </xs:complexType>
</xs:element>
<xs:complexType name="ArrayOfCustomFCODefinition">
    <xs:sequence>
        <xs:element minOccurs="0" maxOccurs="unbounded" name="CustomFCODefinition"
nillable="true" type="tns:CustomFCODefinition" />
    </xs:sequence>
</xs:complexType>
<xs:complexType name="CustomFCODefinition">
    <xs:sequence>
        <xs:element minOccurs="0" maxOccurs="1" name="TemplateIconSerialized"
type="xs:string" />
    </xs:sequence>
    <xs:attribute name="Type" type="tns:CustomFCOType" use="required" />
    <xs:attribute name="SubType" type="xs:string" />
    <xs:attribute name="Name" type="xs:string" />
    <xs:attribute name="Description" type="xs:string" />
    <xs:attribute name="RendererClass" type="xs:string" />
    <xs:attribute name="EditorUri" type="xs:string" />
</xs:complexType>
<xs:element name="CreateReportHtml">
    <xs:complexType>
        <xs:sequence>
            <xs:element minOccurs="1" maxOccurs="1" name="proxyCacheAttempt"
type="xs:boolean" />
            <xs:element minOccurs="0" maxOccurs="1" name="targetControlId" type="xs:string"
/>
            <xs:element minOccurs="0" maxOccurs="1" name="targetControlType" type="xs:string"
/>
            <xs:element minOccurs="0" maxOccurs="1" name="olapContextId" type="xs:string" />
            <xs:element minOccurs="1" maxOccurs="1" name="availableHeight" type="xs:int" />
            <xs:element minOccurs="1" maxOccurs="1" name="availableWidth" type="xs:int" />
            <xs:element minOccurs="0" maxOccurs="1" name="reportLocation"
type="tns:RepositoryLocation" />
            <xs:element minOccurs="0" maxOccurs="1" name="inboundParameters" type="xs:string"
/>
            <xs:element minOccurs="0" maxOccurs="1" name="navigationAction" type="xs:string"
/>
            <xs:element minOccurs="0" maxOccurs="1" name="viewProps" type="xs:string" />
            <xs:element minOccurs="1" maxOccurs="1" name="isAccessibilityMode"
type="xs:boolean" />
        </xs:sequence>
    </xs:complexType>
</xs:element>
<xs:element name="CreateReportHtmlResponse">
    <xs:complexType>
        <xs:sequence>
            <xs:element minOccurs="0" maxOccurs="1" name="proxyCacheKey" type="xs:string" />
            <xs:element minOccurs="0" maxOccurs="1" name="proxyCacheSubs"
type="tns:ArrayOfSubstitutionPair" />
            <xs:element minOccurs="1" maxOccurs="1" name="proxyCacheExpiration"
type="xs:dateTime" />
            <xs:element minOccurs="0" maxOccurs="1" name="html" type="xs:string" />
            <xs:element minOccurs="0" maxOccurs="1" name="script" type="xs:string" />
        </xs:sequence>
    </xs:complexType>

```

```

</xs:element>
<xs:complexType name="ArrayOfSubstitutionPair">
  <xs:sequence>
    <xs:element minOccurs="0" maxOccurs="unbounded" name="SubstitutionPair"
nillable="true" type="tns:SubstitutionPair" />
  </xs:sequence>
</xs:complexType>
<xs:complexType name="SubstitutionPair">
  <xs:sequence>
    <xs:element minOccurs="0" maxOccurs="1" name="Token" type="xs:string" />
    <xs:element minOccurs="0" maxOccurs="1" name="Value" type="xs:string" />
  </xs:sequence>
</xs:complexType>
<xs:element name="CreateNavigationMetadata">
  <xs:complexType>
    <xs:sequence>
      <xs:element minOccurs="0" maxOccurs="1" name="targetControlId" type="xs:string"
/>
      <xs:element minOccurs="0" maxOccurs="1" name="targetControlType" type="xs:string"
/>
      <xs:element minOccurs="0" maxOccurs="1" name="olapContextId" type="xs:string" />
      <xs:element minOccurs="0" maxOccurs="1" name="metadataContextId" type="xs:string"
/>
      <xs:element minOccurs="0" maxOccurs="1" name="reportLocation"
type="tns:RepositoryLocation" />
      <xs:element minOccurs="0" maxOccurs="1" name="metadataAction" type="xs:string" />
    </xs:sequence>
  </xs:complexType>
</xs:element>
<xs:element name="CreateNavigationMetadataResponse">
  <xs:complexType>
    <xs:sequence>
      <xs:element minOccurs="0" maxOccurs="1" name="CreateNavigationMetadataResult"
type="xs:string" />
    </xs:sequence>
  </xs:complexType>
</xs:element>
<xs:element name="GetFilterDependencies">
  <xs:complexType>
    <xs:sequence>
      <xs:element minOccurs="0" maxOccurs="1" name="filterLocation"
type="tns:RepositoryLocation" />
    </xs:sequence>
  </xs:complexType>
</xs:element>
<xs:element name="GetFilterDependenciesResponse">
  <xs:complexType>
    <xs:sequence>
      <xs:element minOccurs="0" maxOccurs="1" name="GetFilterDependenciesResult"
type="tns:ResourceDependencies" />
    </xs:sequence>
  </xs:complexType>
</xs:element>
<xs:complexType name="ResourceDependencies">
  <xs:sequence>
    <xs:element minOccurs="0" maxOccurs="1" name="ExternalCssDependencies"
type="tns:ArrayOfString" />
    <xs:element minOccurs="0" maxOccurs="1" name="ScriptDependencies"
type="tns:ArrayOfScriptDependency" />
    <xs:element minOccurs="0" maxOccurs="1" name="CustomStartupScript" type="xs:string"
/>
  </xs:sequence>
</xs:complexType>
<xs:complexType name="ArrayOfScriptDependency">
  <xs:sequence>
    <xs:element minOccurs="0" maxOccurs="unbounded" name="ScriptDependency"
type="tns:ScriptDependency" />
  </xs:sequence>
</xs:complexType>

```

```

<xs:complexType name="ScriptDependency">
  <xs:sequence>
    <xs:element minOccurs="0" maxOccurs="1" name="ScriptLocation" type="xs:string" />
    <xs:element minOccurs="0" maxOccurs="1" name="AssemblyName" type="xs:string" />
    <xs:element minOccurs="1" maxOccurs="1" name="ForceRelease" type="xs:boolean" />
  </xs:sequence>
</xs:complexType>
<xs:element name="RenderFilter">
  <xs:complexType>
    <xs:sequence>
      <xs:element minOccurs="0" name="filterLocation" nillable="true"
type="tns:RepositoryLocation" />
      <xs:element minOccurs="0" name="renderTargetId" nillable="true" type="xs:string"
/>
      <xs:element minOccurs="0" name="availableHeight" nillable="true" type="xs:string"
/>
      <xs:element minOccurs="0" name="availableWidth" nillable="true" type="xs:string"
/>
      <xs:element
xmlns:q7="http://schemas.datacontract.org/2004/07/Microsoft.PerformancePoint.Scorecards"
minOccurs="0" name="webPartContext" nillable="true" type="q7:WebPartContext" />
    </xs:sequence>
  </xs:complexType>
</xs:element>
<xs:element name="RenderFilterResponse">
  <xs:complexType>
    <xs:sequence>
      <xs:element minOccurs="0" name="html" nillable="true" type="xs:string" />
      <xs:element minOccurs="0" name="script" nillable="true" type="xs:string" />
      <xs:element
xmlns:q8="http://schemas.datacontract.org/2004/07/Microsoft.PerformancePoint.Scorecards"
minOccurs="0" name="webPartContextUpdate" nillable="true" type="q8:WebPartContextUpdate" />
    </xs:sequence>
  </xs:complexType>
</xs:element>
<xs:element name="GetReportDependencies">
  <xs:complexType>
    <xs:sequence>
      <xs:element minOccurs="0" maxOccurs="1" name="reportLocation"
type="tns:RepositoryLocation" />
    </xs:sequence>
  </xs:complexType>
</xs:element>
<xs:element name="GetReportDependenciesResponse">
  <xs:complexType>
    <xs:sequence>
      <xs:element minOccurs="0" maxOccurs="1" name="GetReportDependenciesResult"
type="tns:ResourceDependencies" />
    </xs:sequence>
  </xs:complexType>
</xs:element>
<xs:element name="ReportSupportsExportFormat">
  <xs:complexType>
    <xs:sequence>
      <xs:element minOccurs="1" maxOccurs="1" name="itemFormat" type="tns:ExportFormat"
/>
      <xs:element minOccurs="0" maxOccurs="1" name="reportLocation"
type="tns:RepositoryLocation" />
    </xs:sequence>
  </xs:complexType>
</xs:element>
<xs:simpleType name="ExportFormat">
  <xs:restriction base="xs:string">
    <xs:enumeration value="Excel" />
    <xs:enumeration value="PowerPoint" />
  </xs:restriction>
</xs:simpleType>
<xs:element name="ReportSupportsExportFormatResponse">
  <xs:complexType>

```

```

        <xs:sequence>
          <xs:element minOccurs="1" maxOccurs="1" name="ReportSupportsExportFormatResult"
type="xs:boolean" />
        </xs:sequence>
      </xs:complexType>
    </xs:element>
    <xs:element name="ExportReport">
      <xs:complexType>
        <xs:sequence>
          <xs:element minOccurs="0" name="exportSettings" nillable="true" type="xs:string"
/>
          <xs:element minOccurs="0" name="reportLocation" nillable="true"
type="tns:RepositoryLocation" />
          <xs:element
xmlns:q9="http://schemas.datacontract.org/2004/07/Microsoft.PerformancePoint.Scorecards"
minOccurs="0" name="webPartContext" nillable="true" type="q9:WebPartContext" />
        </xs:sequence>
      </xs:complexType>
    </xs:element>
    <xs:element name="ExportReportResponse">
      <xs:complexType>
        <xs:sequence>
          <xs:element
xmlns:q10="http://schemas.datacontract.org/2004/07/Microsoft.PerformancePoint.Scorecards.Serv
erCommon.Export" minOccurs="0" name="ExportReportResult" nillable="true"
type="q10:OfficeExportInfo" />
        </xs:sequence>
      </xs:complexType>
    </xs:element>
    <xs:element name="ScorecardSupportsExportFormat">
      <xs:complexType>
        <xs:sequence>
          <xs:element minOccurs="1" maxOccurs="1" name="itemFormat" type="tns:ExportFormat"
/>
          <xs:element minOccurs="0" maxOccurs="1" name="scorecardLocation"
type="tns:RepositoryLocation" />
        </xs:sequence>
      </xs:complexType>
    </xs:element>
    <xs:element name="ScorecardSupportsExportFormatResponse">
      <xs:complexType>
        <xs:sequence>
          <xs:element minOccurs="1" maxOccurs="1"
name="ScorecardSupportsExportFormatResult" type="xs:boolean" />
        </xs:sequence>
      </xs:complexType>
    </xs:element>
    <xs:element name="ExportScorecard">
      <xs:complexType>
        <xs:sequence>
          <xs:element minOccurs="0" name="exportSettings" nillable="true" type="xs:string"
/>
          <xs:element minOccurs="0" name="scorecardLocation" nillable="true"
type="tns:RepositoryLocation" />
          <xs:element
xmlns:q11="http://schemas.datacontract.org/2004/07/Microsoft.PerformancePoint.Scorecards"
minOccurs="0" name="webPartContext" nillable="true" type="q11:WebPartContext" />
        </xs:sequence>
      </xs:complexType>
    </xs:element>
    <xs:element name="ExportScorecardResponse">
      <xs:complexType>
        <xs:sequence>
          <xs:element
xmlns:q12="http://schemas.datacontract.org/2004/07/Microsoft.PerformancePoint.Scorecards.Serv
erCommon.Export" minOccurs="0" name="ExportScorecardResult" nillable="true"
type="q12:OfficeExportInfo" />
        </xs:sequence>
      </xs:complexType>

```

```

</xs:element>
<xs:element name="RenderReport">
  <xs:complexType>
    <xs:sequence>
      <xs:element minOccurs="0" name="proxyCacheAttempt" type="xs:boolean" />
      <xs:element minOccurs="0" name="reportLocation" nillable="true"
type="tns:RepositoryLocation" />
      <xs:element minOccurs="0" name="renderTargetId" nillable="true" type="xs:string"
/>
      <xs:element minOccurs="0" name="availableHeight" nillable="true" type="xs:string"
/>
      <xs:element minOccurs="0" name="availableWidth" nillable="true" type="xs:string"
/>
      <xs:element
xmlns:q13="http://schemas.datacontract.org/2004/07/Microsoft.PerformancePoint.Scorecards"
minOccurs="0" name="webPartContext" nillable="true" type="q13:WebPartContext" />
      <xs:element minOccurs="0" name="isAccessibilityMode" type="xs:boolean" />
    </xs:sequence>
  </xs:complexType>
</xs:element>
<xs:element name="RenderReportResponse">
  <xs:complexType>
    <xs:sequence>
      <xs:element minOccurs="0" name="proxyCacheKey" nillable="true" type="xs:string"
/>
      <xs:element
xmlns:q14="http://schemas.datacontract.org/2004/07/Microsoft.PerformancePoint.Scorecards.Serv
erCommon" minOccurs="0" name="proxyCacheSubs" nillable="true"
type="q14:ArrayOfSubstitutionPair" />
      <xs:element minOccurs="0" name="proxyCacheExpiration" type="xs:dateTime" />
      <xs:element minOccurs="0" name="html" nillable="true" type="xs:string" />
      <xs:element minOccurs="0" name="script" nillable="true" type="xs:string" />
      <xs:element
xmlns:q15="http://schemas.datacontract.org/2004/07/Microsoft.PerformancePoint.Scorecards"
minOccurs="0" name="webPartContextUpdate" nillable="true" type="q15:WebPartContextUpdate" />
    </xs:sequence>
  </xs:complexType>
</xs:element>
<xs:element name="GetScorecardDependencies">
  <xs:complexType>
    <xs:sequence>
      <xs:element minOccurs="0" maxOccurs="1" name="scorecardLocation"
type="tns:RepositoryLocation" />
    </xs:sequence>
  </xs:complexType>
</xs:element>
<xs:element name="GetScorecardDependenciesResponse">
  <xs:complexType>
    <xs:sequence>
      <xs:element minOccurs="0" maxOccurs="1" name="GetScorecardDependenciesResult"
type="tns:ResourceDependencies" />
    </xs:sequence>
  </xs:complexType>
</xs:element>
<xs:element name="RenderScorecard">
  <xs:complexType>
    <xs:sequence>
      <xs:element minOccurs="0" name="proxyCacheAttempt" type="xs:boolean" />
      <xs:element minOccurs="0" name="scorecardLocation" nillable="true"
type="tns:RepositoryLocation" />
      <xs:element minOccurs="0" name="renderTargetId" nillable="true" type="xs:string"
/>
      <xs:element minOccurs="0" name="availableHeight" nillable="true" type="xs:string"
/>
      <xs:element minOccurs="0" name="availableWidth" nillable="true" type="xs:string"
/>
      <xs:element
xmlns:q16="http://schemas.datacontract.org/2004/07/Microsoft.PerformancePoint.Scorecards"
minOccurs="0" name="webPartContext" nillable="true" type="q16:WebPartContext" />

```

```

        <xs:element minOccurs="0" name="isAccessibilityMode" type="xs:boolean" />
    </xs:sequence>
</xs:complexType>
</xs:element>
<xs:element name="RenderScorecardResponse">
    <xs:complexType>
        <xs:sequence>
            <xs:element minOccurs="0" name="proxyCacheKey" nillable="true" type="xs:string"
/>
        <xs:element
xmlns:q17="http://schemas.datacontract.org/2004/07/Microsoft.PerformancePoint.Scorecards.Serv
erCommon" minOccurs="0" name="proxyCacheSubs" nillable="true"
type="q17:ArrayOfSubstitutionPair" />
            <xs:element minOccurs="0" name="proxyCacheExpiration" type="xs:dateTime" />
            <xs:element minOccurs="0" name="html" nillable="true" type="xs:string" />
            <xs:element minOccurs="0" name="script" nillable="true" type="xs:string" />
        <xs:element
xmlns:q18="http://schemas.datacontract.org/2004/07/Microsoft.PerformancePoint.Scorecards"
minOccurs="0" name="webPartContextUpdate" nillable="true" type="q18:WebPartContextUpdate" />
    </xs:sequence>
</xs:complexType>
</xs:element>
<xs:element name="RenderScorecardAjaxControl">
    <xs:complexType>
        <xs:sequence>
            <xs:element minOccurs="0" name="scorecardLocation" nillable="true"
type="tns:RepositoryLocation" />
            <xs:element minOccurs="0" name="renderTargetId" nillable="true" type="xs:string"
/>
            <xs:element minOccurs="0" name="scorecardControlId" nillable="true"
type="xs:string" />
            <xs:element minOccurs="0" name="scorecardControlType" nillable="true"
type="xs:string" />
        <xs:element
xmlns:q19="http://schemas.datacontract.org/2004/07/Microsoft.PerformancePoint.Scorecards"
minOccurs="0" name="webPartContext" nillable="true" type="q19:WebPartContext" />
    </xs:sequence>
</xs:complexType>
</xs:element>
<xs:element name="RenderScorecardAjaxControlResponse">
    <xs:complexType>
        <xs:sequence>
            <xs:element minOccurs="0" name="html" nillable="true" type="xs:string" />
        <xs:element
xmlns:q20="http://schemas.datacontract.org/2004/07/Microsoft.PerformancePoint.Scorecards"
minOccurs="0" name="webPartContextUpdate" nillable="true" type="q20:WebPartContextUpdate" />
    </xs:sequence>
</xs:complexType>
</xs:element>
<xs:element name="GetRenderControlPreview">
    <xs:complexType>
        <xs:sequence>
            <xs:element minOccurs="0" maxOccurs="1" name="fcoLocation"
type="tns:RepositoryLocation" />
            <xs:element minOccurs="0" maxOccurs="1" name="viewType" type="xs:string" />
            <xs:element minOccurs="0" maxOccurs="1" name="width" type="xs:string" />
            <xs:element minOccurs="0" maxOccurs="1" name="height" type="xs:string" />
            <xs:element minOccurs="0" maxOccurs="1" name="nav" type="xs:string" />
            <xs:element minOccurs="0" maxOccurs="1" name="isDesigner" type="xs:string" />
            <xs:element minOccurs="0" maxOccurs="1" name="pageQuery" type="xs:string" />
        </xs:sequence>
</xs:complexType>
</xs:element>
<xs:element name="GetRenderControlPreviewResponse">
    <xs:complexType>
        <xs:sequence>
            <xs:element minOccurs="0" maxOccurs="1" name="GetRenderControlPreviewResult"
type="xs:string" />
        </xs:sequence>
    </xs:complexType>
</xs:element>

```

```

    </xs:complexType>
  </xs:element>
  <xs:element name="GetDrillThroughPreview">
    <xs:complexType>
      <xs:sequence>
        <xs:element minOccurs="0" maxOccurs="1" name="fcoLocation"
type="tns:RepositoryLocation" />
        <xs:element minOccurs="0" maxOccurs="1" name="isScorecard" type="xs:string" />
        <xs:element minOccurs="0" maxOccurs="1" name="page" type="xs:string" />
        <xs:element minOccurs="0" maxOccurs="1" name="tupleXml" type="xs:string" />
        <xs:element minOccurs="0" maxOccurs="1" name="resultTableIndex" type="xs:string"
/>
        <xs:element minOccurs="0" maxOccurs="1" name="isAccessibleMode" type="xs:string"
/>
      </xs:sequence>
    </xs:complexType>
  </xs:element>
  <xs:element name="GetDrillThroughPreviewResponse">
    <xs:complexType>
      <xs:sequence>
        <xs:element minOccurs="0" maxOccurs="1" name="GetDrillThroughPreviewResult"
type="xs:string" />
        <xs:element minOccurs="0" maxOccurs="1" name="title" type="xs:string" />
        <xs:element minOccurs="0" maxOccurs="1" name="officeDocumentBytes"
type="xs:base64Binary" />
        <xs:element minOccurs="0" maxOccurs="1" name="documentFileName" type="xs:string"
/>
      </xs:sequence>
    </xs:complexType>
  </xs:element>
  <xs:element name="DecompStartAnalyze">
    <xs:complexType>
      <xs:sequence>
        <xs:element minOccurs="0" maxOccurs="1" name="type" type="xs:string" />
        <xs:element minOccurs="0" maxOccurs="1" name="location" type="xs:string" />
        <xs:element minOccurs="0" maxOccurs="1" name="tupleRecord"
type="tns:DecompTupleRecord" />
        <xs:element minOccurs="0" maxOccurs="1" name="queryParameters"
type="tns:DecompQueryParameters" />
        <xs:element minOccurs="0" maxOccurs="1" name="viewState" type="xs:string" />
      </xs:sequence>
    </xs:complexType>
  </xs:element>
  <xs:complexType name="DecompTupleRecord">
    <xs:sequence>
      <xs:element minOccurs="0" maxOccurs="1" name="RowSelections"
type="tns:ArrayOfString" />
      <xs:element minOccurs="0" maxOccurs="1" name="ColumnSelections"
type="tns:ArrayOfString" />
      <xs:element minOccurs="0" maxOccurs="1" name="BackgroundMeasureName"
type="xs:string" />
    </xs:sequence>
  </xs:complexType>
  <xs:complexType name="DecompQueryParameters">
    <xs:sequence>
      <xs:element minOccurs="0" maxOccurs="1" name="SortType" type="xs:string" />
      <xs:element minOccurs="0" maxOccurs="1" name="ClientState" type="xs:string" />
    </xs:sequence>
  </xs:complexType>
  <xs:element name="DecompStartAnalyzeResponse">
    <xs:complexType>
      <xs:sequence>
        <xs:element minOccurs="0" maxOccurs="1" name="DecompStartAnalyzeResult"
type="tns:DecompRenderResultRecord" />
      </xs:sequence>
    </xs:complexType>
  </xs:element>
  <xs:complexType name="DecompRenderResultRecord">
    <xs:sequence>

```



```

        <xs:element minOccurs="0" maxOccurs="1" name="Levels"
type="tns:ArrayOfDecompRenderResultLevel" />
        <xs:element minOccurs="0" maxOccurs="1" name="MeasureCaption" type="xs:string" />
        <xs:element minOccurs="0" maxOccurs="1" name="MeasureUniqueName" type="xs:string"
/>
        <xs:element minOccurs="1" maxOccurs="1" name="MeasureIsAdditive" type="xs:boolean"
/>
        <xs:element minOccurs="0" maxOccurs="1" name="NavigationContext" type="xs:string"
/>
        <xs:element minOccurs="0" maxOccurs="1" name="ErrorMsg" type="xs:string" />
        <xs:element minOccurs="0" maxOccurs="1" name="ErrorDetails" type="xs:string" />
    </xs:sequence>
</xs:complexType>
<xs:complexType name="ArrayOfDecompRenderResultLevel">
    <xs:sequence>
        <xs:element minOccurs="0" maxOccurs="unbounded" name="DecompRenderResultLevel"
nillable="true" type="tns:DecompRenderResultLevel" />
    </xs:sequence>
</xs:complexType>
<xs:complexType name="DecompRenderResultLevel">
    <xs:sequence>
        <xs:element minOccurs="0" maxOccurs="1" name="SortedBy" type="xs:string" />
        <xs:element minOccurs="0" maxOccurs="1" name="HierarchyName" type="xs:string" />
        <xs:element minOccurs="1" maxOccurs="1" name="TotalNodeCount" type="xs:int" />
        <xs:element minOccurs="0" maxOccurs="1" name="UniqueName" type="xs:string" />
        <xs:element minOccurs="0" maxOccurs="1" name="Caption" type="xs:string" />
        <xs:element minOccurs="0" maxOccurs="1" name="Nodes"
type="tns:ArrayOfDecompRenderResultNode" />
    </xs:sequence>
</xs:complexType>
<xs:complexType name="ArrayOfDecompRenderResultNode">
    <xs:sequence>
        <xs:element minOccurs="0" maxOccurs="unbounded" name="DecompRenderResultNode"
nillable="true" type="tns:DecompRenderResultNode" />
    </xs:sequence>
</xs:complexType>
<xs:complexType name="DecompRenderResultNode">
    <xs:sequence>
        <xs:element minOccurs="1" maxOccurs="1" name="Value" type="xs:double" />
        <xs:element minOccurs="0" maxOccurs="1" name="FormattedValue" type="xs:string" />
        <xs:element minOccurs="1" maxOccurs="1" name="HasChildren" type="xs:boolean" />
        <xs:element minOccurs="0" maxOccurs="1" name="UniqueName" type="xs:string" />
        <xs:element minOccurs="0" maxOccurs="1" name="Caption" type="xs:string" />
        <xs:element minOccurs="1" maxOccurs="1" name="BottomSumValue" type="xs:double" />
        <xs:element minOccurs="0" maxOccurs="1" name="BottomSumFormattedValue"
type="xs:string" />
        <xs:element minOccurs="1" maxOccurs="1" name="TopSumValue" type="xs:double" />
        <xs:element minOccurs="0" maxOccurs="1" name="TopSumFormattedValue"
type="xs:string" />
    </xs:sequence>
</xs:complexType>
<xs:element name="DecompAutoExpand">
    <xs:complexType>
        <xs:sequence>
            <xs:element minOccurs="0" maxOccurs="1" name="navigationContext" type="xs:string"
/>
            <xs:element minOccurs="0" maxOccurs="1" name="queryParameters"
type="tns:DecompQueryParameters" />
            <xs:element minOccurs="0" maxOccurs="1" name="levelUniqueName" type="xs:string"
/>
            <xs:element minOccurs="0" maxOccurs="1" name="itemUniqueName" type="xs:string" />
        </xs:sequence>
    </xs:complexType>
</xs:element>
<xs:element name="DecompAutoExpandResponse">
    <xs:complexType>
        <xs:sequence>
            <xs:element minOccurs="0" maxOccurs="1" name="DecompAutoExpandResult"
type="tns:DecompRenderResultRecord" />

```

```

        </xs:sequence>
      </xs:complexType>
    </xs:element>
    <xs:element name="DecompCreateNavigationList">
      <xs:complexType>
        <xs:sequence>
          <xs:element minOccurs="0" maxOccurs="1" name="navigationContext" type="xs:string"
/>
          <xs:element minOccurs="0" maxOccurs="1" name="levelUniqueName" type="xs:string"
/>
          <xs:element minOccurs="0" maxOccurs="1" name="itemUniqueName" type="xs:string" />
        </xs:sequence>
      </xs:complexType>
    </xs:element>
    <xs:element name="DecompCreateNavigationListResponse">
      <xs:complexType>
        <xs:sequence>
          <xs:element minOccurs="0" maxOccurs="1" name="DecompCreateNavigationListResult"
type="tns:DecompNavigationList" />
        </xs:sequence>
      </xs:complexType>
    </xs:element>
    <xs:complexType name="DecompNavigationList">
      <xs:sequence>
        <xs:element minOccurs="0" maxOccurs="1" name="Groups"
type="tns:ArrayOfDecompNavigationGroup" />
      </xs:sequence>
    </xs:complexType>
    <xs:complexType name="ArrayOfDecompNavigationGroup">
      <xs:sequence>
        <xs:element minOccurs="0" maxOccurs="unbounded" name="DecompNavigationGroup"
nillable="true" type="tns:DecompNavigationGroup" />
      </xs:sequence>
    </xs:complexType>
    <xs:complexType name="DecompNavigationGroup">
      <xs:sequence>
        <xs:element minOccurs="0" maxOccurs="1" name="Name" type="xs:string" />
        <xs:element minOccurs="0" maxOccurs="1" name="Caption" type="xs:string" />
        <xs:element minOccurs="0" maxOccurs="1" name="Actions"
type="tns:ArrayOfDecompNavigationAction" />
      </xs:sequence>
    </xs:complexType>
    <xs:complexType name="ArrayOfDecompNavigationAction">
      <xs:sequence>
        <xs:element minOccurs="0" maxOccurs="unbounded" name="DecompNavigationAction"
nillable="true" type="tns:DecompNavigationAction" />
      </xs:sequence>
    </xs:complexType>
    <xs:complexType name="DecompNavigationAction">
      <xs:sequence>
        <xs:element minOccurs="0" maxOccurs="1" name="Name" type="xs:string" />
        <xs:element minOccurs="0" maxOccurs="1" name="Caption" type="xs:string" />
        <xs:element minOccurs="0" maxOccurs="1" name="ParentCaption" type="xs:string" />
        <xs:element minOccurs="1" maxOccurs="1" name="Enabled" type="xs:boolean" />
      </xs:sequence>
    </xs:complexType>
    <xs:element name="DecompGetMemberProperties">
      <xs:complexType>
        <xs:sequence>
          <xs:element minOccurs="0" maxOccurs="1" name="navigationContext" type="xs:string"
/>
          <xs:element minOccurs="0" maxOccurs="1" name="itemUniqueName" type="xs:string" />
        </xs:sequence>
      </xs:complexType>
    </xs:element>
    <xs:element name="DecompGetMemberPropertiesResponse">
      <xs:complexType>
        <xs:sequence>

```

```

        <xs:element minOccurs="0" maxOccurs="1" name="DecompGetMemberPropertiesResult"
type="tns:DecompMemberProperties" />
    </xs:sequence>
</xs:complexType>
</xs:element>
<xs:complexType name="DecompMemberProperties">
    <xs:sequence>
        <xs:element minOccurs="0" maxOccurs="1" name="MemberName" type="xs:string" />
        <xs:element minOccurs="0" maxOccurs="1" name="Properties"
type="tns:ArrayOfDecompMemberProperty" />
    </xs:sequence>
</xs:complexType>
<xs:complexType name="ArrayOfDecompMemberProperty">
    <xs:sequence>
        <xs:element minOccurs="0" maxOccurs="unbounded" name="DecompMemberProperty"
nillable="true" type="tns:DecompMemberProperty" />
    </xs:sequence>
</xs:complexType>
<xs:complexType name="DecompMemberProperty">
    <xs:sequence>
        <xs:element minOccurs="0" maxOccurs="1" name="Name" type="xs:string" />
        <xs:element minOccurs="0" maxOccurs="1" name="Caption" type="xs:string" />
        <xs:element minOccurs="0" maxOccurs="1" name="Value" type="xs:string" />
    </xs:sequence>
</xs:complexType>
<xs:element name="DecompExpand">
    <xs:complexType>
        <xs:sequence>
            <xs:element minOccurs="0" maxOccurs="1" name="navigationContext" type="xs:string"
/>
            <xs:element minOccurs="0" maxOccurs="1" name="queryParameters"
type="tns:DecompQueryParameters" />
            <xs:element minOccurs="0" maxOccurs="1" name="levelUniqueName" type="xs:string"
/>
            <xs:element minOccurs="0" maxOccurs="1" name="itemUniqueName" type="xs:string" />
            <xs:element minOccurs="0" maxOccurs="1" name="navigationItemUniqueName"
type="xs:string" />
        </xs:sequence>
    </xs:complexType>
</xs:element>
<xs:element name="DecompExpandResponse">
    <xs:complexType>
        <xs:sequence>
            <xs:element minOccurs="0" maxOccurs="1" name="DecompExpandResult"
type="tns:DecompRenderResultRecord" />
        </xs:sequence>
    </xs:complexType>
</xs:element>
<xs:element name="GetReportViewImageData">
    <xs:complexType>
        <xs:sequence>
            <xs:element minOccurs="1" maxOccurs="1" name="proxyCacheAttempt"
type="xs:boolean" />
            <xs:element minOccurs="0" maxOccurs="1" name="externalkey" type="xs:string" />
            <xs:element minOccurs="0" maxOccurs="1" name="tempFcoLocation"
type="tns:RepositoryLocation" />
            <xs:element minOccurs="1" maxOccurs="1" name="height" type="xs:int" />
            <xs:element minOccurs="1" maxOccurs="1" name="width" type="xs:int" />
            <xs:element minOccurs="1" maxOccurs="1" name="colStart" type="xs:int" />
            <xs:element minOccurs="1" maxOccurs="1" name="colCount" type="xs:int" />
        </xs:sequence>
    </xs:complexType>
</xs:element>
<xs:element name="GetReportViewImageDataResponse">
    <xs:complexType>
        <xs:sequence>
            <xs:element minOccurs="1" maxOccurs="1" name="GetReportViewImageDataResult"
type="xs:boolean" />
            <xs:element minOccurs="0" maxOccurs="1" name="key" type="xs:string" />

```

```

        <xs:element minOccurs="1" maxOccurs="1" name="proxyCacheExpiration"
type="xs:dateTime" />
        <xs:element minOccurs="0" maxOccurs="1" name="mimeType" type="xs:string" />
        <xs:element minOccurs="0" maxOccurs="1" name="viewHtml" type="xs:string" />
        <xs:element minOccurs="0" maxOccurs="1" name="bytesImageData"
type="xs:base64Binary" />
    </xs:sequence>
</xs:complexType>
</xs:element>
<xs:element name="GetAnnotation">
    <xs:complexType>
        <xs:sequence>
            <xs:element minOccurs="0" maxOccurs="1" name="scorecardLocation"
type="tns:RepositoryLocation" />
            <xs:element minOccurs="0" maxOccurs="1" name="tupleCollection"
type="tns:ArrayOfTuple" />
            <xs:element minOccurs="0" maxOccurs="1" name="cellPath" type="xs:string" />
        </xs:sequence>
    </xs:complexType>
</xs:element>
<xs:complexType name="ArrayOfTuple">
    <xs:sequence>
        <xs:element minOccurs="0" maxOccurs="unbounded" name="Tuple" nillable="true"
type="tns:Tuple" />
    </xs:sequence>
</xs:complexType>
<xs:complexType name="Tuple">
    <xs:sequence>
        <xs:element minOccurs="0" maxOccurs="1" name="DimensionMembers"
type="tns:ArrayOfMember" />
    </xs:sequence>
</xs:complexType>
<xs:element name="GetAnnotationResponse">
    <xs:complexType>
        <xs:sequence>
            <xs:element minOccurs="0" maxOccurs="1" name="GetAnnotationResult"
type="tns:Annotation" />
        </xs:sequence>
    </xs:complexType>
</xs:element>
<xs:complexType name="Annotation">
    <xs:sequence>
        <xs:element minOccurs="0" maxOccurs="1" name="Comments"
type="tns:ArrayOfAnnotationComment" />
        <xs:element minOccurs="0" maxOccurs="1" name="Properties"
type="tns:ArrayOfBpmProperty" />
        <xs:element minOccurs="0" maxOccurs="1" name="Owner" type="xs:string" />
        <xs:element minOccurs="0" maxOccurs="1" name="LastUpdatedBy" type="xs:string" />
        <xs:element minOccurs="0" maxOccurs="1" name="Slice" type="xs:string" />
        <xs:element minOccurs="1" maxOccurs="1" name="CreatedOn" type="xs:dateTime" />
        <xs:element minOccurs="1" maxOccurs="1" name="LastUpdatedOn" type="xs:dateTime" />
        <xs:element minOccurs="0" maxOccurs="1" name="ScorecardLocation"
type="tns:RepositoryLocation" />
        <xs:element xmlns:q21="http://microsoft.com/wsdl/types/" minOccurs="1"
maxOccurs="1" name="ConfiguredViewID" type="q21:guid" />
        <xs:element xmlns:q22="http://microsoft.com/wsdl/types/" minOccurs="1"
maxOccurs="1" name="Guid" type="q22:guid" />
        <xs:element minOccurs="0" maxOccurs="1" name="CellpathCoordinates" type="xs:string"
/>
        <xs:element minOccurs="1" maxOccurs="1" name="Version"
type="tns:AnnotationVersions" />
    </xs:sequence>
</xs:complexType>
<xs:complexType name="ArrayOfAnnotationComment">
    <xs:sequence>
        <xs:element minOccurs="0" maxOccurs="unbounded" name="AnnotationComment"
nillable="true" type="tns:AnnotationComment" />
    </xs:sequence>
</xs:complexType>

```

```

<xs:complexType name="AnnotationComment">
  <xs:complexContent mixed="false">
    <xs:extension base="tns:Comment">
      <xs:attribute name="Title" type="xs:string" />
    </xs:extension>
  </xs:complexContent>
</xs:complexType>
<xs:simpleType name="AnnotationVersions">
  <xs:restriction base="xs:string">
    <xs:enumeration value="Office14Beta2" />
    <xs:enumeration value="Office14Beta1" />
    <xs:enumeration value="Pps2007" />
  </xs:restriction>
</xs:simpleType>
<xs:element name="GetAnnotationByID">
  <xs:complexType>
    <xs:sequence>
      <xs:element xmlns:q23="http://microsoft.com/wsdl/types/" minOccurs="1"
maxOccurs="1" name="annotationID" type="q23:guid" />
    </xs:sequence>
  </xs:complexType>
</xs:element>
<xs:element name="GetAnnotationByIDResponse">
  <xs:complexType>
    <xs:sequence>
      <xs:element minOccurs="0" maxOccurs="1" name="GetAnnotationByIDResult"
type="tns:Annotation" />
    </xs:sequence>
  </xs:complexType>
</xs:element>
<xs:element name="GetAllAnnotationsByScorecardLocation">
  <xs:complexType>
    <xs:sequence>
      <xs:element minOccurs="0" maxOccurs="1" name="scorecardLocation"
type="tns:RepositoryLocation" />
    </xs:sequence>
  </xs:complexType>
</xs:element>
<xs:element name="GetAllAnnotationsByScorecardLocationResponse">
  <xs:complexType>
    <xs:sequence>
      <xs:element minOccurs="0" maxOccurs="1"
name="GetAllAnnotationsByScorecardLocationResult" type="tns:ArrayOfAnnotation" />
    </xs:sequence>
  </xs:complexType>
</xs:element>
<xs:complexType name="ArrayOfAnnotation">
  <xs:sequence>
    <xs:element minOccurs="0" maxOccurs="unbounded" name="Annotation" nillable="true"
type="tns:Annotation" />
  </xs:sequence>
</xs:complexType>
<xs:element name="CreateAnnotation">
  <xs:complexType>
    <xs:sequence>
      <xs:element minOccurs="0" maxOccurs="1" name="annotation" type="tns:Annotation"
/>
    </xs:sequence>
  </xs:complexType>
</xs:element>
<xs:element name="CreateAnnotationResponse">
  <xs:complexType>
    <xs:sequence>
      <xs:element minOccurs="0" maxOccurs="1" name="CreateAnnotationResult"
type="tns:Annotation" />
    </xs:sequence>
  </xs:complexType>
</xs:element>
<xs:element name="UpdateAnnotation">

```

```

        <xs:complexType>
          <xs:sequence>
            <xs:element minOccurs="0" maxOccurs="1" name="annotation" type="tns:Annotation"
/>
          </xs:sequence>
        </xs:complexType>
      </xs:element>
      <xs:element name="UpdateAnnotationResponse">
        <xs:complexType>
          <xs:sequence>
            <xs:element minOccurs="0" maxOccurs="1" name="UpdateAnnotationResult"
type="tns:Annotation" />
          </xs:sequence>
        </xs:complexType>
      </xs:element>
      <xs:element name="DeleteAnnotation">
        <xs:complexType>
          <xs:sequence>
            <xs:element xmlns:q24="http://microsoft.com/wsdl/types/" minOccurs="1"
maxOccurs="1" name="annotationID" type="q24:guid" />
          </xs:sequence>
        </xs:complexType>
      </xs:element>
      <xs:element name="DeleteAnnotationResponse">
        <xs:complexType />
      </xs:element>
      <xs:element name="TrimAnnotationByScorecardLocation">
        <xs:complexType>
          <xs:sequence>
            <xs:element minOccurs="0" maxOccurs="1" name="scorecardLocation"
type="tns:RepositoryLocation" />
          </xs:sequence>
        </xs:complexType>
      </xs:element>
      <xs:element name="TrimAnnotationByScorecardLocationResponse">
        <xs:complexType />
      </xs:element>
      <xs:element name="TrimAnnotationByOwner">
        <xs:complexType>
          <xs:sequence>
            <xs:element minOccurs="0" maxOccurs="1" name="owner" type="xs:string" />
          </xs:sequence>
        </xs:complexType>
      </xs:element>
      <xs:element name="TrimAnnotationByOwnerResponse">
        <xs:complexType />
      </xs:element>
      <xs:element name="TrimAnnotationUntouchedSince">
        <xs:complexType>
          <xs:sequence>
            <xs:element minOccurs="1" maxOccurs="1" name="untouchedSince" type="xs:dateTime"
/>
          </xs:sequence>
        </xs:complexType>
      </xs:element>
      <xs:element name="TrimAnnotationUntouchedSinceResponse">
        <xs:complexType />
      </xs:element>
      <xs:element name="CreateDataSource">
        <xs:complexType>
          <xs:sequence>
            <xs:element minOccurs="0" maxOccurs="1" name="listUrl" type="xs:string" />
            <xs:element minOccurs="0" maxOccurs="1" name="dataSource" type="tns:DataSource"
/>
          </xs:sequence>
        </xs:complexType>
      </xs:element>
      <xs:element name="CreateDataSourceResponse">
        <xs:complexType>

```

```

        <xs:sequence>
          <xs:element minOccurs="0" maxOccurs="1" name="CreateDataSourceResult"
type="tns:DataSource" />
        </xs:sequence>
      </xs:complexType>
    </xs:element>
    <xs:element name="UpdateDataSource">
      <xs:complexType>
        <xs:sequence>
          <xs:element minOccurs="0" maxOccurs="1" name="dataSource" type="tns:DataSource"
/>
        </xs:sequence>
      </xs:complexType>
    </xs:element>
    <xs:element name="UpdateDataSourceResponse">
      <xs:complexType>
        <xs:sequence>
          <xs:element minOccurs="0" maxOccurs="1" name="UpdateDataSourceResult"
type="tns:DataSource" />
        </xs:sequence>
      </xs:complexType>
    </xs:element>
    <xs:element name="GetDataSource">
      <xs:complexType>
        <xs:sequence>
          <xs:element minOccurs="0" maxOccurs="1" name="location"
type="tns:RepositoryLocation" />
        </xs:sequence>
      </xs:complexType>
    </xs:element>
    <xs:element name="GetDataSourceResponse">
      <xs:complexType>
        <xs:sequence>
          <xs:element minOccurs="0" maxOccurs="1" name="GetDataSourceResult"
type="tns:DataSource" />
        </xs:sequence>
      </xs:complexType>
    </xs:element>
    <xs:element name="GetMdx">
      <xs:complexType>
        <xs:sequence>
          <xs:element minOccurs="0" maxOccurs="1" name="analyticReportViewLocation"
type="tns:RepositoryLocation" />
        </xs:sequence>
      </xs:complexType>
    </xs:element>
    <xs:element name="GetMdxResponse">
      <xs:complexType>
        <xs:sequence>
          <xs:element minOccurs="0" maxOccurs="1" name="GetMdxResult" type="xs:string" />
        </xs:sequence>
      </xs:complexType>
    </xs:element>
    <xs:element name="SaveTemporaryAnalyticReport">
      <xs:complexType>
        <xs:sequence>
          <xs:element minOccurs="0" maxOccurs="1" name="reportView" type="tns:ReportView"
/>
        </xs:sequence>
      </xs:complexType>
    </xs:element>
    <xs:element name="SaveTemporaryAnalyticReportResponse">
      <xs:complexType>
        <xs:sequence>
          <xs:element xmlns:q25="http://microsoft.com/wsdl/types/" minOccurs="1"
maxOccurs="1" name="SaveTemporaryAnalyticReportResult" type="q25:guid" />
        </xs:sequence>
      </xs:complexType>
    </xs:element>

```

```

    <xs:element name="SaveTemporaryStrategyMapReport">
      <xs:complexType>
        <xs:sequence>
          <xs:element minOccurs="0" maxOccurs="1" name="reportView" type="tns:ReportView"
/>
        </xs:sequence>
      </xs:complexType>
    </xs:element>
    <xs:element name="SaveTemporaryStrategyMapReportResponse">
      <xs:complexType>
        <xs:sequence>
          <xs:element xmlns:q26="http://microsoft.com/wsdl/types/" minOccurs="1"
maxOccurs="1" name="SaveTemporaryStrategyMapReportResult" type="q26:guid" />
          </xs:sequence>
        </xs:complexType>
      </xs:element>
      <xs:element name="GetQueryResultMembers">
        <xs:complexType>
          <xs:sequence>
            <xs:element minOccurs="0" maxOccurs="1" name="analyticReportViewLocation"
type="tns:RepositoryLocation" />
            <xs:element minOccurs="0" maxOccurs="1" name="formattingDimensionName"
type="xs:string" />
            </xs:sequence>
          </xs:complexType>
        </xs:element>
        <xs:element name="GetQueryResultMembersResponse">
          <xs:complexType>
            <xs:sequence>
              <xs:element minOccurs="0" maxOccurs="1" name="GetQueryResultMembersResult"
type="tns:ArrayOfMember" />
              </xs:sequence>
            </xs:complexType>
          </xs:element>
          <xs:element name="GetDatabaseNamesFromDataSource">
            <xs:complexType>
              <xs:sequence>
                <xs:element minOccurs="0" maxOccurs="1" name="dataSource" type="tns:DataSource"
/>
                </xs:sequence>
              </xs:complexType>
            </xs:element>
            <xs:element name="GetDatabaseNamesFromDataSourceResponse">
              <xs:complexType>
                <xs:sequence>
                  <xs:element minOccurs="0" maxOccurs="1"
name="GetDatabaseNamesFromDataSourceResult" type="tns:ArrayOfString" />
                  </xs:sequence>
                </xs:complexType>
              </xs:element>
              <xs:element name="GetPreviewDataSet">
                <xs:complexType>
                  <xs:sequence>
                    <xs:element minOccurs="1" maxOccurs="1" name="maxrecords" type="xs:int" />
                    <xs:element minOccurs="0" maxOccurs="1" name="dataSource" type="tns:DataSource"
/>
                    </xs:sequence>
                  </xs:complexType>
                </xs:element>
                <xs:element name="GetPreviewDataSetResponse">
                  <xs:complexType>
                    <xs:sequence>
                      <xs:element minOccurs="0" maxOccurs="1" name="GetPreviewDataSetResult">
                        <xs:complexType>
                          <xs:sequence>
                            <xs:element ref="xs:schema" />
                            <xs:any />
                          </xs:sequence>
                        </xs:complexType>
                      </xs:element>
                    </xs:sequence>
                  </xs:complexType>
                </xs:element>
              </xs:sequence>
            </xs:complexType>
          </xs:element>
        </xs:sequence>
      </xs:complexType>
    </xs:element>
  </xs:sequence>
</xs:complexType>
</xs:element>
<xs:element name="GetPreviewDataSetResponse">
  <xs:complexType>
    <xs:sequence>
      <xs:element minOccurs="0" maxOccurs="1" name="GetPreviewDataSetResult">
        <xs:complexType>
          <xs:sequence>
            <xs:element ref="xs:schema" />
            <xs:any />
          </xs:sequence>
        </xs:complexType>
      </xs:element>
    </xs:sequence>
  </xs:complexType>
</xs:element>

```



```

        </xs:element>
      </xs:sequence>
    </xs:complexType>
  </xs:element>
  <xs:element name="GetCubeNameInfos">
    <xs:complexType>
      <xs:sequence>
        <xs:element minOccurs="0" maxOccurs="1" name="dataSource" type="tns:DataSource"
/>
      </xs:sequence>
    </xs:complexType>
  </xs:element>
  <xs:element name="GetCubeNameInfosResponse">
    <xs:complexType>
      <xs:sequence>
        <xs:element minOccurs="0" maxOccurs="1" name="GetCubeNameInfosResult"
type="tns:ArrayOfNameInfo" />
      </xs:sequence>
    </xs:complexType>
  </xs:element>
  <xs:complexType name="ArrayOfNameInfo">
    <xs:sequence>
      <xs:element minOccurs="0" maxOccurs="unbounded" name="NameInfo" nillable="true"
type="tns:NameInfo" />
    </xs:sequence>
  </xs:complexType>
  <xs:element name="GetCubeMetaData">
    <xs:complexType>
      <xs:sequence>
        <xs:element minOccurs="0" maxOccurs="1" name="dataSourceLocation"
type="tns:RepositoryLocation" />
      </xs:sequence>
    </xs:complexType>
  </xs:element>
  <xs:element name="GetCubeMetaDataResponse">
    <xs:complexType>
      <xs:sequence>
        <xs:element minOccurs="0" maxOccurs="1" name="GetCubeMetaDataResult"
type="tns:Cube" />
      </xs:sequence>
    </xs:complexType>
  </xs:element>
  <xs:complexType name="Cube">
    <xs:complexContent mixed="false">
      <xs:extension base="tns:NameInfo">
        <xs:sequence>
          <xs:element minOccurs="0" maxOccurs="1" name="Dimensions"
type="tns:ArrayOfDimension" />
          <xs:element minOccurs="0" maxOccurs="1" name="MeasureGroups"
type="tns:ArrayOfNameInfo" />
          <xs:element minOccurs="0" maxOccurs="1" name="Measures"
type="tns:ArrayOfMeasure" />
          <xs:element minOccurs="0" maxOccurs="1" name="NamedSets"
type="tns:ArrayOfNamedSet" />
        </xs:sequence>
        <xs:attribute name="Version" type="xs:int" use="required" />
      </xs:extension>
    </xs:complexContent>
  </xs:complexType>
  <xs:complexType name="ArrayOfDimension">
    <xs:sequence>
      <xs:element minOccurs="0" maxOccurs="unbounded" name="Dimension" nillable="true"
type="tns:Dimension" />
    </xs:sequence>
  </xs:complexType>
  <xs:complexType name="ArrayOfMeasure">
    <xs:sequence>
      <xs:element minOccurs="0" maxOccurs="unbounded" name="Measure" nillable="true"
type="tns:Measure" />

```

```

    </xs:sequence>
  </xs:complexType>
  <xs:complexType name="Measure">
    <xs:complexContent mixed="false">
      <xs:extension base="tns:NameInfo">
        <xs:attribute name="AggregatorValue" type="xs:int" use="required" />
        <xs:attribute name="MeasureGroup" type="xs:string" />
        <xs:attribute name="DisplayFolder" type="xs:string" />
        <xs:attribute name="HierarchyName" type="xs:string" />
      </xs:extension>
    </xs:complexContent>
  </xs:complexType>
  <xs:complexType name="ArrayOfNamedSet">
    <xs:sequence>
      <xs:element minOccurs="0" maxOccurs="unbounded" name="NamedSet" nillable="true"
type="tns:NamedSet" />
    </xs:sequence>
  </xs:complexType>
  <xs:complexType name="NamedSet">
    <xs:sequence>
      <xs:element minOccurs="0" maxOccurs="1" name="Dimensions" type="tns:ArrayOfString"
/>
    </xs:sequence>
    <xs:attribute name="Name" type="xs:string" />
    <xs:attribute name="Expression" type="xs:string" />
    <xs:attribute name="DisplayFolder" type="xs:string" />
  </xs:complexType>
  <xs:element name="GetCubeMetaDataForDataSource">
    <xs:complexType>
      <xs:sequence>
        <xs:element minOccurs="0" maxOccurs="1" name="dataSource" type="tns:DataSource"
/>
      </xs:sequence>
    </xs:complexType>
  </xs:element>
  <xs:element name="GetCubeMetaDataForDataSourceResponse">
    <xs:complexType>
      <xs:sequence>
        <xs:element minOccurs="0" maxOccurs="1" name="GetCubeMetaDataForDataSourceResult"
type="tns:Cube" />
      </xs:sequence>
    </xs:complexType>
  </xs:element>
  <xs:element name="TestConnection">
    <xs:complexType>
      <xs:sequence>
        <xs:element minOccurs="0" maxOccurs="1" name="dataSource" type="tns:DataSource"
/>
      </xs:sequence>
    </xs:complexType>
  </xs:element>
  <xs:element name="TestConnectionResponse">
    <xs:complexType>
      <xs:sequence>
        <xs:element minOccurs="1" maxOccurs="1" name="TestConnectionResult"
type="xs:boolean" />
      </xs:sequence>
    </xs:complexType>
  </xs:element>
  <xs:element name="GetDimensions">
    <xs:complexType>
      <xs:sequence>
        <xs:element minOccurs="0" maxOccurs="1" name="dataSourceLocation"
type="tns:RepositoryLocation" />
      </xs:sequence>
    </xs:complexType>
  </xs:element>
  <xs:element name="GetDimensionsResponse">
    <xs:complexType>

```

```

        <xs:sequence>
          <xs:element minOccurs="0" maxOccurs="1" name="GetDimensionsResult"
type="tns:ArrayOfDimension" />
        </xs:sequence>
      </xs:complexType>
    </xs:element>
    <xs:element name="GetDimensionsFromDataSource">
      <xs:complexType>
        <xs:sequence>
          <xs:element minOccurs="0" maxOccurs="1" name="dataSource" type="tns:DataSource"
/>
        </xs:sequence>
      </xs:complexType>
    </xs:element>
    <xs:element name="GetDimensionsFromDataSourceResponse">
      <xs:complexType>
        <xs:sequence>
          <xs:element minOccurs="0" maxOccurs="1" name="GetDimensionsFromDataSourceResult"
type="tns:ArrayOfDimension" />
        </xs:sequence>
      </xs:complexType>
    </xs:element>
    <xs:element name="GetCube">
      <xs:complexType>
        <xs:sequence>
          <xs:element minOccurs="0" maxOccurs="1" name="dataSourceLocation"
type="tns:RepositoryLocation" />
        </xs:sequence>
      </xs:complexType>
    </xs:element>
    <xs:element name="GetCubeResponse">
      <xs:complexType>
        <xs:sequence>
          <xs:element minOccurs="0" maxOccurs="1" name="GetCubeResult" type="tns:Cube" />
        </xs:sequence>
      </xs:complexType>
    </xs:element>
    <xs:element name="GetCubeFromDataSource">
      <xs:complexType>
        <xs:sequence>
          <xs:element minOccurs="0" maxOccurs="1" name="dataSource" type="tns:DataSource"
/>
        </xs:sequence>
      </xs:complexType>
    </xs:element>
    <xs:element name="GetCubeFromDataSourceResponse">
      <xs:complexType>
        <xs:sequence>
          <xs:element minOccurs="0" maxOccurs="1" name="GetCubeFromDataSourceResult"
type="tns:Cube" />
        </xs:sequence>
      </xs:complexType>
    </xs:element>
    <xs:element name="QueryDimensionRootMembers">
      <xs:complexType>
        <xs:sequence>
          <xs:element minOccurs="0" maxOccurs="1" name="dataSourceLocation"
type="tns:RepositoryLocation" />
          <xs:element minOccurs="0" maxOccurs="1" name="dimensionName" type="xs:string" />
        </xs:sequence>
      </xs:complexType>
    </xs:element>
    <xs:element name="QueryDimensionRootMembersResponse">
      <xs:complexType>
        <xs:sequence>
          <xs:element minOccurs="0" maxOccurs="1" name="QueryDimensionRootMembersResult"
type="tns:ArrayOfMember" />
        </xs:sequence>
      </xs:complexType>

```

```

</xs:element>
<xs:element name="QueryDimensionRootMembersFromDataSource">
  <xs:complexType>
    <xs:sequence>
      <xs:element minOccurs="0" maxOccurs="1" name="dataSource" type="tns:DataSource"
/>
      <xs:element minOccurs="0" maxOccurs="1" name="dimensionName" type="xs:string" />
    </xs:sequence>
  </xs:complexType>
</xs:element>
<xs:element name="QueryDimensionRootMembersFromDataSourceResponse">
  <xs:complexType>
    <xs:sequence>
      <xs:element minOccurs="0" maxOccurs="1"
name="QueryDimensionRootMembersFromDataSourceResult" type="tns:ArrayOfMember" />
    </xs:sequence>
  </xs:complexType>
</xs:element>
<xs:element name="QueryTransformMembers">
  <xs:complexType>
    <xs:sequence>
      <xs:element minOccurs="0" maxOccurs="1" name="dataSourceLocation"
type="tns:RepositoryLocation" />
      <xs:element minOccurs="0" maxOccurs="1" name="memberCollection"
type="tns:ArrayOfMember" />
      <xs:element minOccurs="1" maxOccurs="1" name="transformType"
type="tns:QueryTransformMembersType" />
    </xs:sequence>
  </xs:complexType>
</xs:element>
<xs:simpleType name="QueryTransformMembersType">
  <xs:restriction base="xs:string">
    <xs:enumeration value="Hierarchize" />
    <xs:enumeration value="Parents" />
    <xs:enumeration value="Ancestors" />
  </xs:restriction>
</xs:simpleType>
<xs:element name="QueryTransformMembersResponse">
  <xs:complexType>
    <xs:sequence>
      <xs:element minOccurs="0" maxOccurs="1" name="QueryTransformMembersResult"
type="tns:ArrayOfMember" />
    </xs:sequence>
  </xs:complexType>
</xs:element>
<xs:element name="QueryChildMembers">
  <xs:complexType>
    <xs:sequence>
      <xs:element minOccurs="0" maxOccurs="1" name="dataSourceLocation"
type="tns:RepositoryLocation" />
      <xs:element minOccurs="0" maxOccurs="1" name="memberUniqueName" type="xs:string"
/>
    </xs:sequence>
  </xs:complexType>
</xs:element>
<xs:element name="QueryChildMembersResponse">
  <xs:complexType>
    <xs:sequence>
      <xs:element minOccurs="0" maxOccurs="1" name="QueryChildMembersResult"
type="tns:ArrayOfMember" />
    </xs:sequence>
  </xs:complexType>
</xs:element>
<xs:element name="QueryChildMembersFromDataSource">
  <xs:complexType>
    <xs:sequence>
      <xs:element minOccurs="0" maxOccurs="1" name="dataSource" type="tns:DataSource"
/>

```

```

        <xs:element minOccurs="0" maxOccurs="1" name="memberUniqueName" type="xs:string"
/>
    </xs:sequence>
</xs:complexType>
</xs:element>
<xs:element name="QueryChildMembersFromDataSourceResponse">
    <xs:complexType>
        <xs:sequence>
            <xs:element minOccurs="0" maxOccurs="1"
name="QueryChildMembersFromDataSourceResult" type="tns:ArrayOfMember" />
        </xs:sequence>
    </xs:complexType>
</xs:element>
<xs:element name="QueryChildMembersByRangeFromDataSource">
    <xs:complexType>
        <xs:sequence>
            <xs:element minOccurs="0" maxOccurs="1" name="dataSource" type="tns:DataSource"
/>
        <xs:element minOccurs="0" maxOccurs="1" name="self" type="xs:string" />
        <xs:element minOccurs="1" maxOccurs="1" name="start" type="xs:long" />
        <xs:element minOccurs="1" maxOccurs="1" name="count" type="xs:long" />
    </xs:sequence>
</xs:complexType>
</xs:element>
<xs:element name="QueryChildMembersByRangeFromDataSourceResponse">
    <xs:complexType>
        <xs:sequence>
            <xs:element minOccurs="0" maxOccurs="1"
name="QueryChildMembersByRangeFromDataSourceResult" type="tns:ArrayOfMember" />
        </xs:sequence>
    </xs:complexType>
</xs:element>
<xs:element name="QueryRelatedMember">
    <xs:complexType>
        <xs:sequence>
            <xs:element minOccurs="0" maxOccurs="1" name="dataSourceLocation"
type="tns:RepositoryLocation" />
            <xs:element minOccurs="0" maxOccurs="1" name="memberUniqueName" type="xs:string"
/>
            <xs:element minOccurs="1" maxOccurs="1" name="relationship"
type="tns:MemberRelationship" />
        </xs:sequence>
    </xs:complexType>
</xs:element>
<xs:simpleType name="MemberRelationship">
    <xs:restriction base="xs:string">
        <xs:enumeration value="Parent" />
        <xs:enumeration value="FirstSibling" />
        <xs:enumeration value="PrevMember" />
        <xs:enumeration value="NextMember" />
        <xs:enumeration value="LastSibling" />
        <xs:enumeration value="FirstChild" />
        <xs:enumeration value="LastChild" />
        <xs:enumeration value="CurrentMember" />
        <xs:enumeration value="Children" />
    </xs:restriction>
</xs:simpleType>
<xs:element name="QueryRelatedMemberResponse">
    <xs:complexType>
        <xs:sequence>
            <xs:element minOccurs="0" maxOccurs="1" name="QueryRelatedMemberResult"
type="tns:Member" />
        </xs:sequence>
    </xs:complexType>
</xs:element>
<xs:element name="QueryRelatedMemberFromDataSource">
    <xs:complexType>
        <xs:sequence>

```

```

        <xs:element minOccurs="0" maxOccurs="1" name="dataSource" type="tns:DataSource"
/>
        <xs:element minOccurs="0" maxOccurs="1" name="memberUniqueName" type="xs:string"
/>
        <xs:element minOccurs="1" maxOccurs="1" name="relationship"
type="tns:MemberRelationship" />
    </xs:sequence>
</xs:complexType>
</xs:element>
<xs:element name="QueryRelatedMemberFromDataSourceResponse">
    <xs:complexType>
        <xs:sequence>
            <xs:element minOccurs="0" maxOccurs="1"
name="QueryRelatedMemberFromDataSourceResult" type="tns:Member" />
        </xs:sequence>
    </xs:complexType>
</xs:element>
<xs:element name="QueryNamedSets">
    <xs:complexType>
        <xs:sequence>
            <xs:element minOccurs="0" maxOccurs="1" name="dataSourceLocation"
type="tns:RepositoryLocation" />
        </xs:sequence>
    </xs:complexType>
</xs:element>
<xs:element name="QueryNamedSetsResponse">
    <xs:complexType>
        <xs:sequence>
            <xs:element minOccurs="0" maxOccurs="1" name="QueryNamedSetsResult"
type="tns:ArrayOfNamedSet" />
        </xs:sequence>
    </xs:complexType>
</xs:element>
<xs:element name="QueryNamedSetsFromDataSource">
    <xs:complexType>
        <xs:sequence>
            <xs:element minOccurs="0" maxOccurs="1" name="dataSource" type="tns:DataSource"
/>
        </xs:sequence>
    </xs:complexType>
</xs:element>
<xs:element name="QueryNamedSetsFromDataSourceResponse">
    <xs:complexType>
        <xs:sequence>
            <xs:element minOccurs="0" maxOccurs="1" name="QueryNamedSetsFromDataSourceResult"
type="tns:ArrayOfNamedSet" />
        </xs:sequence>
    </xs:complexType>
</xs:element>
<xs:element name="ValidateKpi">
    <xs:complexType>
        <xs:sequence>
            <xs:element minOccurs="0" maxOccurs="1" name="location"
type="tns:RepositoryLocation" />
        </xs:sequence>
    </xs:complexType>
</xs:element>
<xs:element name="ValidateKpiResponse">
    <xs:complexType>
        <xs:sequence>
            <xs:element minOccurs="0" maxOccurs="1" name="ValidateKpiResult"
type="tns:ArrayOfString" />
        </xs:sequence>
    </xs:complexType>
</xs:element>
<xs:element name="ValidateScorecard">
    <xs:complexType>
        <xs:sequence>

```

```

        <xs:element minOccurs="0" maxOccurs="1" name="location"
type="tns:RepositoryLocation" />
    </xs:sequence>
</xs:complexType>
</xs:element>
<xs:element name="ValidateScorecardResponse">
    <xs:complexType>
        <xs:sequence>
            <xs:element minOccurs="0" maxOccurs="1" name="ValidateScorecardResult"
type="tns:ArrayOfString" />
        </xs:sequence>
    </xs:complexType>
</xs:element>
<xs:element name="ValidateSiteCollection">
    <xs:complexType />
</xs:element>
<xs:element name="ValidateSiteCollectionResponse">
    <xs:complexType>
        <xs:sequence>
            <xs:element minOccurs="1" maxOccurs="1" name="ValidateSiteCollectionResult"
type="tns:URLValidationResult" />
        </xs:sequence>
    </xs:complexType>
</xs:element>
<xs:simpleType name="URLValidationResult">
    <xs:restriction base="xs:string">
        <xs:enumeration value="SiteCollectionOrSite" />
        <xs:enumeration value="SiteCollection" />
        <xs:enumeration value="Site" />
        <xs:enumeration value="List" />
        <xs:enumeration value="DocumentLibrary" />
        <xs:enumeration value="InvalidURL" />
        <xs:enumeration value="AlreadyExists" />
        <xs:enumeration value="NonexistentSiteCollection" />
        <xs:enumeration value="NonexistentSite" />
        <xs:enumeration value="PPSNotActivatedOnSiteCollection" />
        <xs:enumeration value="URLZoneNotAllowed" />
    </xs:restriction>
</xs:simpleType>
<xs:element name="MaintenanceJob">
    <xs:complexType />
</xs:element>
<xs:element name="MaintenanceJobResponse">
    <xs:complexType />
</xs:element>
<xs:element name="GenerateView">
    <xs:complexType>
        <xs:sequence>
            <xs:element minOccurs="0" maxOccurs="1" name="scorecardLocation"
type="tns:RepositoryLocation" />
            <xs:element minOccurs="0" maxOccurs="1" name="pageFilterOverrides"
type="tns:ArrayOfMember" />
            <xs:element minOccurs="0" maxOccurs="1" name="propertyBags"
type="tns:DictionaryWrapperOfStringPropertyBag" />
        </xs:sequence>
    </xs:complexType>
</xs:element>
<xs:complexType name="DictionaryWrapperOfStringPropertyBag">
    <xs:sequence>
        <xs:element minOccurs="0" maxOccurs="1" name="Keys" type="tns:ArrayOfString" />
        <xs:element minOccurs="0" maxOccurs="1" name="Values" type="tns:ArrayOfPropertyBag"
/>
    </xs:sequence>
</xs:complexType>
<xs:complexType name="ArrayOfPropertyBag">
    <xs:sequence>
        <xs:element minOccurs="0" maxOccurs="unbounded" name="PropertyBag" nillable="true"
type="tns:PropertyBag" />
    </xs:sequence>

```

```

</xs:complexType>
<xs:complexType name="PropertyBag">
  <xs:sequence>
    <xs:element minOccurs="0" maxOccurs="1" name="Keys" type="tns:ArrayOfString" />
    <xs:element minOccurs="0" maxOccurs="1" name="Values" type="tns:ArrayOfChoice1" />
  </xs:sequence>
</xs:complexType>
<xs:complexType name="ArrayOfChoice1">
  <xs:choice minOccurs="0" maxOccurs="unbounded">
    <xs:element minOccurs="1" maxOccurs="1" name="decimal" type="xs:decimal" />
    <xs:element minOccurs="1" maxOccurs="1" name="ArrayOfMember" nillable="true"
type="tns:ArrayOfMember" />
    <xs:element minOccurs="1" maxOccurs="1" name="ArrayOfMemberTransform"
nillable="true" type="tns:ArrayOfMemberTransform" />
    <xs:element minOccurs="1" maxOccurs="1" name="dateTime" type="xs:dateTime" />
    <xs:element minOccurs="1" maxOccurs="1" name="ArrayOfString" nillable="true"
type="tns:ArrayOfString" />
    <xs:element minOccurs="1" maxOccurs="1" name="string" nillable="true"
type="xs:string" />
    <xs:element minOccurs="1" maxOccurs="1" name="double" type="xs:double" />
    <xs:element xmlns:q27="http://microsoft.com/wsdl/types/" minOccurs="1"
maxOccurs="1" name="guid" type="q27:guid" />
    <xs:element xmlns:q28="http://microsoft.com/wsdl/types/" minOccurs="1"
maxOccurs="1" name="char" type="q28:char" />
    <xs:element minOccurs="1" maxOccurs="1" name="int" type="xs:int" />
  </xs:choice>
</xs:complexType>
<xs:complexType name="ArrayOfMemberTransform">
  <xs:sequence>
    <xs:element minOccurs="0" maxOccurs="unbounded" name="MemberTransform"
nillable="true" type="tns:MemberTransform" />
  </xs:sequence>
</xs:complexType>
<xs:complexType name="MemberTransform">
  <xs:sequence>
    <xs:element minOccurs="0" maxOccurs="1" name="GroupId" type="xs:string" />
    <xs:element minOccurs="0" maxOccurs="1" name="CellPath" type="xs:string" />
    <xs:element minOccurs="1" maxOccurs="1" name="Type" type="tns:MemberTransformType"
/>
    <xs:element minOccurs="1" maxOccurs="1" name="Operation"
type="tns:MemberTransformOperation" />
    <xs:element minOccurs="0" maxOccurs="1" name="CustomData" type="xs:string" />
  </xs:sequence>
</xs:complexType>
<xs:simpleType name="MemberTransformType">
  <xs:restriction base="xs:string">
    <xs:enumeration value="Row" />
    <xs:enumeration value="Column" />
  </xs:restriction>
</xs:simpleType>
<xs:simpleType name="MemberTransformOperation">
  <xs:restriction base="xs:string">
    <xs:enumeration value="Replace" />
    <xs:enumeration value="DrillUp" />
    <xs:enumeration value="DrillDown" />
    <xs:enumeration value="Expand" />
  </xs:restriction>
</xs:simpleType>
<xs:element name="GenerateViewResponse">
  <xs:complexType>
    <xs:sequence>
      <xs:element minOccurs="0" maxOccurs="1" name="GenerateViewResult"
type="tns:GridViewData" />
    </xs:sequence>
  </xs:complexType>
</xs:element>
<xs:complexType name="GridViewData">
  <xs:sequence>

```



```

        <xs:element minOccurs="0" maxOccurs="1" name="DefaultCellFormatInfo"
type="tns:GridFormatInfo" />
        <xs:element minOccurs="0" maxOccurs="1" name="DefaultRowHeaderFormatInfo"
type="tns:GridFormatInfo" />
        <xs:element minOccurs="0" maxOccurs="1" name="DefaultColumnHeaderFormatInfo"
type="tns:GridFormatInfo" />
        <xs:element minOccurs="0" maxOccurs="1" name="Cells" type="tns:GridCellSet" />
        <xs:element minOccurs="0" maxOccurs="1" name="RootRowHeader"
type="tns:GridHeaderItem" />
        <xs:element minOccurs="0" maxOccurs="1" name="RootColumnHeader"
type="tns:GridHeaderItem" />
        <xs:element minOccurs="0" maxOccurs="1" name="ScorecardLocation"
type="tns:RepositoryLocation" />
        <xs:element minOccurs="0" maxOccurs="1" name="DefaultRollupIndicatorLocation"
type="tns:RepositoryLocation" />
        <xs:element minOccurs="0" maxOccurs="1" name="PreQueryTransforms"
type="tns:ArrayOfGridViewTransformReference" />
        <xs:element minOccurs="0" maxOccurs="1" name="PostQueryTransforms"
type="tns:ArrayOfGridViewTransformReference" />
        <xs:element minOccurs="0" maxOccurs="1" name="PreRenderTransforms"
type="tns:ArrayOfGridViewTransformReference" />
        <xs:element minOccurs="0" maxOccurs="1" name="PerUserTransforms"
type="tns:ArrayOfGridViewTransformReference" />
        <xs:element minOccurs="0" maxOccurs="1" name="PageFilters" type="tns:ArrayOfMember"
/>
    />
</xs:sequence>
<xs:attribute xmlns:q29="http://microsoft.com/wsdl/types/" name="ScorecardViewId"
type="q29:guid" use="required" />
<xs:attribute name="Cached" type="xs:boolean" use="required" />
<xs:attribute name="CacheExpiration" type="xs:dateTime" use="required" />
<xs:attribute xmlns:q30="http://microsoft.com/wsdl/types/"
name="DefaultRollupIndicatorId" type="q30:guid" use="required" />
<xs:attribute name="EmptyCell" type="xs:string" />
<xs:attribute name="InvalidCell" type="xs:string" />
<xs:attribute name="TIFormula" type="xs:string" />
<xs:attribute name="TICurrentDateTime" type="xs:string" />
</xs:complexType>
<xs:complexType name="GridFormatInfo">
    <xs:sequence>
        <xs:element minOccurs="0" maxOccurs="1" name="FontInfo" type="tns:GridFontInfo" />
        <xs:element minOccurs="0" maxOccurs="1" name="ForeColor" type="tns:GridColor" />
        <xs:element minOccurs="0" maxOccurs="1" name="BackColor" type="tns:GridColor" />
    </xs:sequence>
    <xs:attribute name="TextWrap" type="tns:Trinary" use="required" />
    <xs:attribute name="VerticalAlignment" type="tns:VerticalAlignments" use="required"
/>
    <xs:attribute name="HorizontalAlignment" type="tns:HorizontalAlignments"
use="required" />
</xs:complexType>
<xs:complexType name="GridFontInfo">
    <xs:attribute name="FamilyName" type="xs:string" />
    <xs:attribute name="SizeInPoints" type="xs:float" use="required" />
    <xs:attribute name="Bold" type="tns:Trinary" use="required" />
    <xs:attribute name="Italic" type="tns:Trinary" use="required" />
    <xs:attribute name="Underline" type="tns:Trinary" use="required" />
    <xs:attribute name="Strikeout" type="tns:Trinary" use="required" />
</xs:complexType>
<xs:simpleType name="Trinary">
    <xs:restriction base="xs:string">
        <xs:enumeration value="Undefined" />
        <xs:enumeration value="False" />
        <xs:enumeration value="True" />
    </xs:restriction>
</xs:simpleType>
<xs:complexType name="GridColor">
    <xs:attribute name="A" type="xs:unsignedByte" use="required" />
    <xs:attribute name="R" type="xs:unsignedByte" use="required" />
    <xs:attribute name="G" type="xs:unsignedByte" use="required" />
    <xs:attribute name="B" type="xs:unsignedByte" use="required" />

```

```

</xs:complexType>
<xs:simpleType name="VerticalAlignments">
  <xs:restriction base="xs:string">
    <xs:enumeration value="Undefined" />
    <xs:enumeration value="Top" />
    <xs:enumeration value="Middle" />
    <xs:enumeration value="Bottom" />
  </xs:restriction>
</xs:simpleType>
<xs:simpleType name="HorizontalAlignments">
  <xs:restriction base="xs:string">
    <xs:enumeration value="Undefined" />
    <xs:enumeration value="Left" />
    <xs:enumeration value="Center" />
    <xs:enumeration value="Right" />
  </xs:restriction>
</xs:simpleType>
<xs:complexType name="GridCellSet">
  <xs:sequence>
    <xs:element minOccurs="0" maxOccurs="1" name="Table"
type="tns:DictionaryWrapperOfStringGridCell" />
  </xs:sequence>
</xs:complexType>
<xs:complexType name="DictionaryWrapperOfStringGridCell">
  <xs:sequence>
    <xs:element minOccurs="0" maxOccurs="1" name="Keys" type="tns:ArrayOfString" />
    <xs:element minOccurs="0" maxOccurs="1" name="Values" type="tns:ArrayOfGridCell" />
  </xs:sequence>
</xs:complexType>
<xs:complexType name="ArrayOfGridCell">
  <xs:sequence>
    <xs:element minOccurs="0" maxOccurs="unbounded" name="GridCell" nillable="true"
type="tns:GridCell" />
  </xs:sequence>
</xs:complexType>
<xs:complexType name="GridCell">
  <xs:sequence>
    <xs:element minOccurs="0" maxOccurs="1" name="FormatInfo" type="tns:GridFormatInfo"
/>
    <xs:element minOccurs="0" maxOccurs="1" name="Properties" type="tns:PropertyBag" />
    <xs:element minOccurs="0" maxOccurs="1" name="DisplayElements"
type="tns:ArrayOfGridDisplayElement" />
    <xs:element minOccurs="0" maxOccurs="1" name="IndicatorLocation"
type="tns:RepositoryLocation" />
    <xs:element minOccurs="1" maxOccurs="1" name="InBand" type="xs:int" />
    <xs:element minOccurs="0" maxOccurs="1" name="CellAnnotation" type="tns:Annotation"
/>
  </xs:sequence>
  <xs:attribute name="Value" type="xs:decimal" use="required" />
  <xs:attribute name="ActualValue" type="xs:decimal" use="required" />
  <xs:attribute name="Score" type="xs:decimal" use="required" />
  <xs:attribute name="Weight" type="xs:decimal" use="required" />
  <xs:attribute name="BestChildScore" type="xs:decimal" use="required" />
  <xs:attribute name="WorstChildScore" type="xs:decimal" use="required" />
  <xs:attribute name="IsValueInError" type="xs:boolean" use="required" />
  <xs:attribute name="HasAnnotation" type="xs:boolean" use="required" />
  <xs:attribute name="IsRollupScore" type="xs:boolean" use="required" />
  <xs:attribute name="ValueSource" type="tns:ValueSources" use="required" />
  <xs:attribute name="IsValidScore" type="xs:boolean" use="required" />
</xs:complexType>
<xs:complexType name="ArrayOfGridDisplayElement">
  <xs:sequence>
    <xs:element minOccurs="0" maxOccurs="unbounded" name="GridDisplayElement"
nillable="true" type="tns:GridDisplayElement" />
  </xs:sequence>
</xs:complexType>
<xs:complexType name="GridDisplayElement" abstract="true">
  <xs:sequence>
    <xs:element minOccurs="0" maxOccurs="1" name="Text" type="xs:string" />

```

```

        <xs:element minOccurs="0" maxOccurs="1" name="TooltipText" type="xs:string" />
    </xs:sequence>
    <xs:attribute name="Status" type="tns:GridCellElementStatus" use="required" />
</xs:complexType>
<xs:simpleType name="GridCellElementStatus">
    <xs:restriction base="xs:string">
        <xs:enumeration value="0" />
        <xs:enumeration value="1" />
        <xs:enumeration value="2" />
    </xs:restriction>
</xs:simpleType>
<xs:complexType name="GridDisplayElementHyperLink">
    <xs:complexContent mixed="false">
        <xs:extension base="tns:GridDisplayElement">
            <xs:attribute name="LinkUrl" type="xs:string" />
        </xs:extension>
    </xs:complexContent>
</xs:complexType>
<xs:complexType name="GridDisplayElementNumber" abstract="true">
    <xs:complexContent mixed="false">
        <xs:extension base="tns:GridDisplayElement">
            <xs:attribute name="Value" type="xs:decimal" use="required" />
            <xs:attribute name="OverrideValue" type="xs:decimal" use="required" />
        </xs:extension>
    </xs:complexContent>
</xs:complexType>
<xs:complexType name="GridDisplayElementTarget">
    <xs:complexContent mixed="false">
        <xs:extension base="tns:GridDisplayElementNumber" />
    </xs:complexContent>
</xs:complexType>
<xs:complexType name="GridDisplayElementVariance">
    <xs:complexContent mixed="false">
        <xs:extension base="tns:GridDisplayElementNumber" />
    </xs:complexContent>
</xs:complexType>
<xs:complexType name="GridDisplayElementAggregation">
    <xs:complexContent mixed="false">
        <xs:extension base="tns:GridDisplayElementNumber" />
    </xs:complexContent>
</xs:complexType>
<xs:complexType name="GridDisplayElementActual">
    <xs:complexContent mixed="false">
        <xs:extension base="tns:GridDisplayElementNumber" />
    </xs:complexContent>
</xs:complexType>
<xs:complexType name="GridDisplayElementScore">
    <xs:complexContent mixed="false">
        <xs:extension base="tns:GridDisplayElementNumber" />
    </xs:complexContent>
</xs:complexType>
<xs:complexType name="GridDisplayElementIndicator">
    <xs:complexContent mixed="false">
        <xs:extension base="tns:GridDisplayElement">
            <xs:sequence>
                <xs:element minOccurs="0" maxOccurs="1" name="IndicatorLocation"
type="tns:RepositoryLocation" />
            </xs:sequence>
            <xs:attribute name="IndicatorBand" type="xs:int" use="required" />
        </xs:extension>
    </xs:complexContent>
</xs:complexType>
<xs:complexType name="GridDisplayElementText">
    <xs:complexContent mixed="false">
        <xs:extension base="tns:GridDisplayElement" />
    </xs:complexContent>
</xs:complexType>
<xs:complexType name="GridDisplayElementIndicatorText">
    <xs:complexContent mixed="false">

```

```

        <xs:extension base="tns:GridDisplayElementText">
            <xs:sequence>
                <xs:element minOccurs="0" maxOccurs="1" name="IndicatorLocation"
type="tns:RepositoryLocation" />
            </xs:sequence>
            <xs:attribute name="IndicatorBand" type="xs:int" use="required" />
        </xs:extension>
    </xs:complexContent>
</xs:complexType>
<xs:complexType name="GridHeaderItem">
    <xs:sequence>
        <xs:element minOccurs="0" maxOccurs="1" name="HeaderFormatInfo"
type="tns:GridFormatInfo" />
        <xs:element minOccurs="0" maxOccurs="1" name="CellFormatInfo"
type="tns:GridFormatInfo" />
        <xs:element minOccurs="0" maxOccurs="1" name="Children"
type="tns:ArrayOfGridHeaderItem" />
        <xs:element minOccurs="0" maxOccurs="1" name="SerializeTag" />
        <xs:element minOccurs="0" maxOccurs="1" name="DimensionMember" type="tns:Member" />
        <xs:element minOccurs="0" maxOccurs="1" name="OverrideIndicatorLocation"
type="tns:RepositoryLocation" />
        <xs:element minOccurs="0" maxOccurs="1" name="Banding" type="tns:Banding" />
        <xs:element minOccurs="0" maxOccurs="1" name="LinkedKpiLocation"
type="tns:RepositoryLocation" />
        <xs:element minOccurs="0" maxOccurs="1" name="BpmProperties"
type="tns:ArrayOfBpmProperty" />
        <xs:element minOccurs="0" maxOccurs="1" name="TargetSettings"
type="tns:GridTargetSettings" />
        <xs:element minOccurs="0" maxOccurs="1" name="TrendIndicatorLocation"
type="tns:RepositoryLocation" />
    </xs:sequence>
    <xs:attribute name="Id" type="xs:int" use="required" />
    <xs:attribute xmlns:q31="http://microsoft.com/wsdl/types/" name="Guid"
type="q31:guid" use="required" />
    <xs:attribute xmlns:q32="http://microsoft.com/wsdl/types/" name="DefinitionGuid"
type="q32:guid" use="required" />
    <xs:attribute name="DisplayText" type="xs:string" />
    <xs:attribute name="DimensionName" type="xs:string" />
    <xs:attribute name="DimensionValue" type="xs:string" />
    <xs:attribute name="HeaderType" type="tns:ScorecardNodeTypes" use="required" />
    <xs:attribute name="GroupId" type="xs:int" use="required" />
    <xs:attribute name="Depth" type="xs:int" use="required" />
    <xs:attribute name="DescendantSpan" type="xs:int" use="required" />
    <xs:attribute name="LeafSpan" type="xs:int" use="required" />
    <xs:attribute name="IsCollapsed" type="xs:boolean" use="required" />
    <xs:attribute name="IsDynamicCellExpansionEnabled" type="xs:boolean" use="required"
/>
    <xs:attribute name="IsDrillEnabled" type="xs:boolean" use="required" />
    <xs:attribute name="IsDrillDownDisabled" type="xs:boolean" use="required" />
    <xs:attribute name="IsDrillUpDisabled" type="xs:boolean" use="required" />
    <xs:attribute name="IsDynamicallyExpandedHeader" type="xs:boolean" use="required" />
    <xs:attribute name="IsCellHidden" type="xs:boolean" use="required" />
    <xs:attribute name="IsPathHidden" type="xs:boolean" use="required" />
    <xs:attribute name="IsHiddenBasedOnFilterStatus" type="xs:boolean" use="required" />
    <xs:attribute name="NamedSetExpression" type="xs:string" />
    <xs:attribute name="CustomSetFormula" type="xs:string" />
    <xs:attribute name="IsNamedSetInError" type="xs:boolean" use="required" />
    <xs:attribute name="IsNamedSetEmpty" type="xs:boolean" use="required" />
    <xs:attribute name="NamedSetType" type="tns:ScorecardNamedSetType" use="required" />
    <xs:attribute name="UseLinkedElementDisplayText" type="xs:boolean" use="required" />
    <xs:attribute name="Hyperlink" type="xs:string" />
    <xs:attribute name="ShowHyperlinkInNewWindow" type="xs:boolean" use="required" />
    <xs:attribute name="IsHierarchyHeader" type="xs:boolean" use="required" />
    <xs:attribute name="IsColumnHeader" type="xs:boolean" use="required" />
    <xs:attribute name="AppendFilterInfoToHyperlink" type="xs:boolean" use="required" />
    <xs:attribute name="Weight" type="xs:decimal" use="required" />
    <xs:attribute name="KpiTargetName" type="xs:string" />
    <xs:attribute name="AggregationType" type="tns:HeaderAggregationTypes" use="required"
/>

```

```

</xs:complexType>
<xs:complexType name="ArrayOfGridHeaderItem">
  <xs:sequence>
    <xs:element minOccurs="0" maxOccurs="unbounded" name="GridHeaderItem"
nillable="true" type="tns:GridHeaderItem" />
  </xs:sequence>
</xs:complexType>
<xs:complexType name="GridTargetSettings">
  <xs:sequence>
    <xs:element minOccurs="0" maxOccurs="1" name="VarianceSettings"
type="tns:GridVarianceSettings" />
    <xs:element minOccurs="1" maxOccurs="1" name="FilterEmptyRows" type="xs:boolean" />
    <xs:element minOccurs="1" maxOccurs="1" name="Position"
type="tns:DataValuePosition" />
    <xs:element minOccurs="1" maxOccurs="1" name="PositionActual"
type="tns:DataValuePosition" />
    <xs:element minOccurs="0" maxOccurs="1" name="ScoreSettings"
type="tns:GridScoreSettings" />
    <xs:element minOccurs="0" maxOccurs="1" name="IndicatorSettings"
type="tns:GridIndicatorSettings" />
  </xs:sequence>
  <xs:attribute name="ShowValue" type="xs:boolean" use="required" />
  <xs:attribute name="ShowActualAsTarget" type="xs:boolean" use="required" />
  <xs:attribute name="IgnoreScoreFilter" type="xs:boolean" use="required" />
</xs:complexType>
<xs:complexType name="GridVarianceSettings">
  <xs:attribute name="NumDecimalPlaces" type="xs:int" use="required" />
  <xs:attribute name="VarianceType" type="tns:VarianceType" use="required" />
  <xs:attribute name="DisplayType" type="tns:VarianceDisplayType" use="required" />
  <xs:attribute name="ShowValue" type="xs:boolean" use="required" />
  <xs:attribute name="Position" type="tns:DataValuePosition" use="required" />
</xs:complexType>
<xs:simpleType name="VarianceType">
  <xs:restriction base="xs:string">
    <xs:enumeration value="VarianceToTarget" />
    <xs:enumeration value="VarianceToBestTarget" />
  </xs:restriction>
</xs:simpleType>
<xs:simpleType name="VarianceDisplayType">
  <xs:restriction base="xs:string">
    <xs:enumeration value="ShowPercent" />
    <xs:enumeration value="ShowValue" />
    <xs:enumeration value="ShowInvertedPercent" />
  </xs:restriction>
</xs:simpleType>
<xs:simpleType name="DataValuePosition">
  <xs:restriction base="xs:string">
    <xs:enumeration value="Left" />
    <xs:enumeration value="Right" />
    <xs:enumeration value="NotDisplayed" />
  </xs:restriction>
</xs:simpleType>
<xs:complexType name="GridScoreSettings">
  <xs:attribute name="ShowValue" type="xs:boolean" use="required" />
  <xs:attribute name="ScoreType" type="tns:ScoreTypes" use="required" />
  <xs:attribute name="RollupType" type="tns:RollupTypes" use="required" />
  <xs:attribute name="Position" type="tns:DataValuePosition" use="required" />
</xs:complexType>
<xs:simpleType name="ScoreTypes">
  <xs:restriction base="xs:string">
    <xs:enumeration value="Normalized" />
    <xs:enumeration value="Raw" />
  </xs:restriction>
</xs:simpleType>
<xs:simpleType name="RollupTypes">
  <xs:restriction base="xs:string">
    <xs:enumeration value="None" />
    <xs:enumeration value="AverageWeighted" />
    <xs:enumeration value="WorstChild" />
  </xs:restriction>
</xs:simpleType>

```

```

        <xs:enumeration value="IndicatorCount" />
    </xs:restriction>
</xs:simpleType>
<xs:complexType name="GridIndicatorSettings">
    <xs:sequence>
        <xs:element minOccurs="1" maxOccurs="1" name="Position"
type="tns:IndicatorPosition" />
    </xs:sequence>
    <xs:attribute name="ShowImage" type="xs:boolean" use="required" />
    <xs:attribute name="ShowText" type="xs:boolean" use="required" />
    <xs:attribute name="ShowForeColor" type="xs:boolean" use="required" />
    <xs:attribute name="ShowBackColor" type="xs:boolean" use="required" />
</xs:complexType>
<xs:simpleType name="IndicatorPosition">
    <xs:restriction base="xs:string">
        <xs:enumeration value="Left" />
        <xs:enumeration value="Right" />
        <xs:enumeration value="Center" />
        <xs:enumeration value="NotDisplayed" />
    </xs:restriction>
</xs:simpleType>
<xs:simpleType name="ScorecardNodeTypes">
    <xs:list>
        <xs:simpleType>
            <xs:restriction base="xs:string">
                <xs:enumeration value="None" />
                <xs:enumeration value="Member" />
                <xs:enumeration value="Kpi" />
                <xs:enumeration value="KpiActual" />
                <xs:enumeration value="KpiTarget" />
                <xs:enumeration value="ScorecardDetails" />
                <xs:enumeration value="DocumentLinks" />
                <xs:enumeration value="NamedSet" />
                <xs:enumeration value="Aggregate" />
            </xs:restriction>
        </xs:simpleType>
    </xs:list>
</xs:simpleType>
<xs:simpleType name="ScorecardNamedSetType">
    <xs:list>
        <xs:simpleType>
            <xs:restriction base="xs:string">
                <xs:enumeration value="None" />
                <xs:enumeration value="NamedSet" />
                <xs:enumeration value="CustomFormula" />
                <xs:enumeration value="TimeFormula" />
            </xs:restriction>
        </xs:simpleType>
    </xs:list>
</xs:simpleType>
<xs:simpleType name="HeaderAggregationTypes">
    <xs:restriction base="xs:string">
        <xs:enumeration value="None" />
        <xs:enumeration value="Sum" />
        <xs:enumeration value="Average" />
        <xs:enumeration value="Min" />
        <xs:enumeration value="Max" />
        <xs:enumeration value="Trend" />
    </xs:restriction>
</xs:simpleType>
<xs:complexType name="ArrayOfGridViewTransformReference">
    <xs:sequence>
        <xs:element minOccurs="0" maxOccurs="unbounded" name="GridViewTransformReference"
nillable="true" type="tns:GridViewTransformReference" />
    </xs:sequence>
</xs:complexType>
<xs:complexType name="GridViewTransformReference">
    <xs:sequence>
        <xs:element minOccurs="0" maxOccurs="1" name="Parameters" type="tns:PropertyBag" />
    </xs:sequence>
</xs:complexType>

```

```

        </xs:sequence>
        <xs:attribute name="Id" type="xs:string" />
    </xs:complexType>
    <xs:complexType name="GridViewDefinition">
        <xs:sequence>
            <xs:element minOccurs="0" maxOccurs="1" name="CornerCellFormatInfo"
type="tns:GridFormatInfo" />
            <xs:element minOccurs="0" maxOccurs="1" name="DefaultCellFormatInfo"
type="tns:GridFormatInfo" />
            <xs:element minOccurs="0" maxOccurs="1" name="DefaultRowHeaderFormatInfo"
type="tns:GridFormatInfo" />
            <xs:element minOccurs="0" maxOccurs="1" name="DefaultColumnHeaderFormatInfo"
type="tns:GridFormatInfo" />
            <xs:element minOccurs="0" maxOccurs="1" name="RootRowHeader"
type="tns:GridHeaderItem" />
            <xs:element minOccurs="0" maxOccurs="1" name="RootColumnHeader"
type="tns:GridHeaderItem" />
            <xs:element xmlns:q33="http://microsoft.com/wsdl/types/" minOccurs="1"
maxOccurs="1" name="DefaultRollupIndicatorId" type="q33:guid" />
            <xs:element minOccurs="0" maxOccurs="1" name="DefaultRollupIndicatorLocation"
type="tns:RepositoryLocation" />
            <xs:element minOccurs="0" maxOccurs="unbounded" name="PreQueryTransforms"
type="tns:GridViewTransformReference" />
            <xs:element minOccurs="0" maxOccurs="unbounded" name="PostQueryTransforms"
type="tns:GridViewTransformReference" />
            <xs:element minOccurs="0" maxOccurs="unbounded" name="PreRenderTransforms"
type="tns:GridViewTransformReference" />
            <xs:element minOccurs="0" maxOccurs="unbounded" name="PerUserTransforms"
type="tns:GridViewTransformReference" />
            <xs:element minOccurs="0" maxOccurs="1" name="CellBorderColor" type="tns:GridColor"
/>
            <xs:element minOccurs="0" maxOccurs="1" name="DefaultCellBorderColor"
type="tns:GridColor" />
        </xs:sequence>
        <xs:attribute name="EmptyCell" type="xs:string" />
        <xs:attribute name="InvalidCell" type="xs:string" />
        <xs:attribute name="ShowGridLines" type="xs:boolean" use="required" />
        <xs:attribute name="ShowHiddenHeaders" type="xs:boolean" use="required" />
        <xs:attribute name="ShowMetricHeaders" type="xs:boolean" use="required" />
        <xs:attribute name="ShowPlusMinus" type="xs:boolean" use="required" />
    </xs:complexType>
    <xs:complexType name="ToolbarOptions">
        <xs:attribute name="ShowInlineText" type="xs:boolean" use="required" />
        <xs:attribute name="ShowToolbar" type="xs:boolean" use="required" />
        <xs:attribute name="ShowStatusFilter" type="xs:boolean" use="required" />
        <xs:attribute name="ShowToolTips" type="xs:boolean" use="required" />
        <xs:attribute name="ShowCollapse" type="xs:boolean" use="required" />
        <xs:attribute name="ShowMode" type="xs:boolean" use="required" />
        <xs:attribute name="ShowExpand" type="xs:boolean" use="required" />
        <xs:attribute name="ShowToolbarItemsLabel" type="xs:boolean" use="required" />
        <xs:attribute name="ShowDefaultRollup" type="xs:boolean" use="required" />
        <xs:attribute name="ShowWorstChildRollup" type="xs:boolean" use="required" />
        <xs:attribute name="ShowIndicatorCount" type="xs:boolean" use="required" />
    </xs:complexType>
    <xs:complexType name="StatusFilter">
        <xs:attribute xmlns:q34="http://microsoft.com/wsdl/types/"
name="IndicatorLocationGuid" type="q34:guid" use="required" />
        <xs:attribute name="BandIndex" type="xs:int" use="required" />
    </xs:complexType>
    <xs:complexType name="ParameterMapping">
        <xs:sequence>
            <xs:element minOccurs="0" maxOccurs="1" name="ConditionalData">
                <xs:complexType>
                    <xs:sequence>
                        <xs:any minOccurs="0" maxOccurs="unbounded"
namespace="http://www.w3.org/2001/XMLSchema" processContents="lax" />
                        <xs:any minOccurs="1" namespace="urn:schemas-microsoft-com:xml-diffgram-v1"
processContents="lax" />
                    </xs:sequence>
                </xs:complexType>
            </xs:element>
        </xs:sequence>
    </xs:complexType>

```

```

        </xs:complexType>
    </xs:element>
</xs:sequence>
<xs:attribute name="EndPointUniqueName" type="xs:string" />
<xs:attribute xmlns:q35="http://microsoft.com/wsdl/types/" name="Id" type="q35:guid"
use="required" />
<xs:attribute name="SourceColumnName" type="xs:string" />
<xs:attribute xmlns:q36="http://microsoft.com/wsdl/types/" name="DashboardItemId"
type="q36:guid" use="required" />
<xs:attribute name="ParameterUniqueName" type="xs:string" />
<xs:attribute name="PostFormula" type="xs:string" />
<xs:attribute name="IsConditionalDataEnabled" type="xs:boolean" use="required" />
<xs:attribute name="IsDefaultVisibility" type="xs:boolean" use="required" />
</xs:complexType>
<xs:complexType name="DashboardElementSize">
<xs:attribute name="Measurement" type="xs:int" use="required" />
<xs:attribute name="Units" type="tns:SizeType" use="required" />
</xs:complexType>
<xs:simpleType name="SizeType">
<xs:restriction base="xs:string">
<xs:enumeration value="AutoSize" />
<xs:enumeration value="Absolute" />
<xs:enumeration value="Percent" />
</xs:restriction>
</xs:simpleType>
<xs:complexType name="IndicatorBand">
<xs:sequence>
<xs:element minOccurs="0" maxOccurs="1" name="ImageData" type="xs:string" />
</xs:sequence>
<xs:attribute name="Color" type="xs:string" />
<xs:attribute name="BackColor" type="xs:string" />
<xs:attribute name="ToolTip" type="xs:string" />
</xs:complexType>
<xs:complexType name="ArrayOfIndicatorBand">
<xs:sequence>
<xs:element minOccurs="0" maxOccurs="unbounded" name="IndicatorBand"
nillable="true" type="tns:IndicatorBand" />
</xs:sequence>
</xs:complexType>
<xs:complexType name="ArrayOfParameterMapping">
<xs:sequence>
<xs:element minOccurs="0" maxOccurs="unbounded" name="ParameterMapping"
nillable="true" type="tns:ParameterMapping" />
</xs:sequence>
</xs:complexType>
<xs:complexType name="ArrayOfDashboardElement">
<xs:sequence>
<xs:element minOccurs="0" maxOccurs="unbounded" name="DashboardElement"
nillable="true" type="tns:DashboardElement" />
</xs:sequence>
</xs:complexType>
<xs:complexType name="DashboardElement" abstract="true">
<xs:complexContent mixed="false">
<xs:extension base="tns:SecondClassElement">
<xs:sequence>
<xs:element minOccurs="0" maxOccurs="1" name="Height"
type="tns:DashboardElementSize" />
<xs:element minOccurs="0" maxOccurs="1" name="Width"
type="tns:DashboardElementSize" />
</xs:sequence>
</xs:extension>
</xs:complexContent>
</xs:complexType>
<xs:complexType name="DashboardElementContainer">
<xs:complexContent mixed="false">
<xs:extension base="tns:DashboardElement">
<xs:sequence>
<xs:element minOccurs="0" maxOccurs="1" name="DashboardElements"
type="tns:ArrayOfDashboardElement" />

```





```

    </xs:extension>
  </xs:complexContent>
</xs:complexType>
<xs:simpleType name="ScorecardEmptyRowsFilterMode">
  <xs:restriction base="xs:string">
    <xs:enumeration value="None" />
    <xs:enumeration value="AllValuesAreEmpty" />
  </xs:restriction>
</xs:simpleType>
<xs:element name="GenerateViewDirect">
  <xs:complexType>
    <xs:sequence>
      <xs:element minOccurs="0" maxOccurs="1" name="scorecard" type="tns:Scorecard" />
      <xs:element minOccurs="0" maxOccurs="1" name="kpis" type="tns:ArrayOfKpi" />
      <xs:element minOccurs="0" maxOccurs="1" name="dataSources"
type="tns:ArrayOfDataSource" />
      <xs:element minOccurs="0" maxOccurs="1" name="indicators"
type="tns:ArrayOfIndicator" />
      <xs:element minOccurs="0" maxOccurs="1" name="pageFilters"
type="tns:ArrayOfMember" />
      <xs:element minOccurs="0" maxOccurs="1" name="propertyBags"
type="tns:DictionaryWrapperOfStringPropertyBag" />
    </xs:sequence>
  </xs:complexType>
</xs:element>
<xs:complexType name="Scorecard">
  <xs:complexContent mixed="false">
    <xs:extension base="tns:FirstClassElement">
      <xs:sequence>
        <xs:element minOccurs="0" maxOccurs="1" name="ConfiguredViews"
type="tns:ArrayOfConfiguredView" />
        <xs:element minOccurs="0" maxOccurs="1" name="EndPoints"
type="tns:ArrayOfEndPoint" />
        <xs:element minOccurs="0" maxOccurs="1" name="BeginPoints"
type="tns:ArrayOfParameterDefinition" />
      </xs:sequence>
      <xs:attribute name="RendererClassName" type="xs:string" />
    </xs:extension>
  </xs:complexContent>
</xs:complexType>
<xs:complexType name="ArrayOfDataSource">
  <xs:sequence>
    <xs:element minOccurs="0" maxOccurs="unbounded" name="DataSource" nillable="true"
type="tns:DataSource" />
  </xs:sequence>
</xs:complexType>
<xs:complexType name="ArrayOfIndicator">
  <xs:sequence>
    <xs:element minOccurs="0" maxOccurs="unbounded" name="Indicator" nillable="true"
type="tns:Indicator" />
  </xs:sequence>
</xs:complexType>
<xs:complexType name="Indicator">
  <xs:complexContent mixed="false">
    <xs:extension base="tns:FirstClassElement">
      <xs:sequence>
        <xs:element minOccurs="0" maxOccurs="1" name="NoDataIndicatorBand"
type="tns:IndicatorBand" />
        <xs:element minOccurs="0" maxOccurs="1" name="IndicatorBands"
type="tns:ArrayOfIndicatorBand" />
      </xs:sequence>
      <xs:attribute name="IndicatorType" type="tns:IndicatorType" use="required" />
      <xs:attribute name="IsBuiltIn" type="xs:boolean" use="required" />
    </xs:extension>
  </xs:complexContent>
</xs:complexType>
<xs:simpleType name="IndicatorType">
  <xs:restriction base="xs:string">
    <xs:enumeration value="Standard" />

```

```

        <xs:enumeration value="Centered" />
    </xs:restriction>
</xs:simpleType>
<xs:element name="GenerateViewDirectResponse">
    <xs:complexType>
        <xs:sequence>
            <xs:element minOccurs="0" maxOccurs="1" name="GenerateViewDirectResult"
type="tns:GridViewData" />
        </xs:sequence>
    </xs:complexType>
</xs:element>
<xs:element name="GetAsKpis">
    <xs:complexType>
        <xs:sequence>
            <xs:element minOccurs="0" maxOccurs="1" name="dataSource" type="tns:DataSource"
/>
            <xs:element minOccurs="0" maxOccurs="1" name="listUrl" type="xs:string" />
        </xs:sequence>
    </xs:complexType>
</xs:element>
<xs:element name="GetAsKpisResponse">
    <xs:complexType>
        <xs:sequence>
            <xs:element minOccurs="0" maxOccurs="1" name="GetAsKpisResult"
type="tns:ArrayOfKpi" />
        </xs:sequence>
    </xs:complexType>
</xs:element>
<xs:element name="GetParameterDisplayData">
    <xs:complexType>
        <xs:sequence>
            <xs:element minOccurs="0" maxOccurs="1" name="providerLocation"
type="tns:RepositoryLocation" />
            <xs:element minOccurs="0" maxOccurs="1" name="parameterDefinition"
type="tns:ParameterDefinition" />
            <xs:element minOccurs="0" maxOccurs="1" name="parameterSourceLocation"
type="tns:RepositoryLocation" />
            <xs:element minOccurs="0" maxOccurs="1" name="webPartContext"
type="tns:WebPartContext" />
        </xs:sequence>
    </xs:complexType>
</xs:element>
<xs:complexType name="WebPartContext">
    <xs:sequence>
        <xs:element minOccurs="0" maxOccurs="1" name="ClientViewState"
type="tns:DictionaryWrapperOfStringString" />
        <xs:element minOccurs="0" maxOccurs="1" name="InUseProviderParameterNames"
type="tns:ArrayOfString" />
        <xs:element minOccurs="0" maxOccurs="1" name="ProviderParameterSelections"
type="tns:DictionaryWrapperOfStringListOfString" />
    </xs:sequence>
</xs:complexType>
<xs:complexType name="DictionaryWrapperOfStringString">
    <xs:sequence>
        <xs:element minOccurs="0" maxOccurs="1" name="Keys" type="tns:ArrayOfString" />
        <xs:element minOccurs="0" maxOccurs="1" name="Values" type="tns:ArrayOfString" />
    </xs:sequence>
</xs:complexType>
<xs:complexType name="DictionaryWrapperOfStringListOfString">
    <xs:sequence>
        <xs:element minOccurs="0" maxOccurs="1" name="Keys" type="tns:ArrayOfString" />
        <xs:element minOccurs="0" maxOccurs="1" name="Values"
type="tns:ArrayOfArrayOfString" />
    </xs:sequence>
</xs:complexType>
<xs:complexType name="ArrayOfArrayOfString">
    <xs:sequence>
        <xs:element minOccurs="0" maxOccurs="unbounded" name="ArrayOfString"
nillable="true" type="tns:ArrayOfString" />
    </xs:sequence>
</xs:complexType>

```

```

    </xs:sequence>
  </xs:complexType>
  <xs:element name="GetParameterDisplayDataResponse">
    <xs:complexType>
      <xs:sequence>
        <xs:element minOccurs="0" maxOccurs="1" name="GetParameterDisplayDataResult">
          <xs:complexType>
            <xs:sequence>
              <xs:any minOccurs="0" maxOccurs="unbounded"
namespace="http://www.w3.org/2001/XMLSchema" processContents="lax" />
              <xs:any minOccurs="1" namespace="urn:schemas-microsoft-com:xml-diffgram-v1"
processContents="lax" />
            </xs:sequence>
          </xs:complexType>
        </xs:element>
      </xs:sequence>
    </xs:complexType>
  </xs:element>
  <xs:element name="GetFilterDisplayData">
    <xs:complexType>
      <xs:sequence>
        <xs:element minOccurs="0" maxOccurs="1" name="filterLocation"
type="tns:RepositoryLocation" />
        <xs:element minOccurs="0" maxOccurs="1" name="parameterDefinition"
type="tns:ParameterDefinition" />
        <xs:element minOccurs="0" maxOccurs="1" name="selections"
type="tns:ArrayOfString" />
        <xs:element minOccurs="1" maxOccurs="1" name="useSavedUserSelections"
type="xs:boolean" />
        <xs:element minOccurs="1" maxOccurs="1" name="selectionsOnly" type="xs:boolean"
/>
        <xs:element minOccurs="0" maxOccurs="1" name="webPartContext"
type="tns:WebPartContext" />
      </xs:sequence>
    </xs:complexType>
  </xs:element>
  <xs:element name="GetFilterDisplayDataResponse">
    <xs:complexType>
      <xs:sequence>
        <xs:element minOccurs="0" maxOccurs="1" name="GetFilterDisplayDataResult">
          <xs:complexType>
            <xs:sequence>
              <xs:any minOccurs="0" maxOccurs="unbounded"
namespace="http://www.w3.org/2001/XMLSchema" processContents="lax" />
              <xs:any minOccurs="1" namespace="urn:schemas-microsoft-com:xml-diffgram-v1"
processContents="lax" />
            </xs:sequence>
          </xs:complexType>
        </xs:element>
      </xs:sequence>
    </xs:complexType>
  </xs:element>
  <xs:element name="GetParameterMessageData">
    <xs:complexType>
      <xs:sequence>
        <xs:element minOccurs="0" name="providerLocation" nillable="true"
type="tns:RepositoryLocation" />
        <xs:element
xmlns:q37="http://schemas.datacontract.org/2004/07/Microsoft.PerformancePoint.Scorecards"
minOccurs="0" name="parameterMessage" nillable="true" type="q37:ParameterMessage" />
        <xs:element minOccurs="0" name="parameterSourceLocation" nillable="true"
type="tns:RepositoryLocation" />
        <xs:element
xmlns:q38="http://schemas.datacontract.org/2004/07/Microsoft.PerformancePoint.Scorecards"
minOccurs="0" name="parameterMapping" nillable="true" type="q38:ParameterMapping" />
        <xs:element
xmlns:q39="http://schemas.datacontract.org/2004/07/Microsoft.PerformancePoint.Scorecards"
minOccurs="0" name="webPartContext" nillable="true" type="q39:WebPartContext" />
      </xs:sequence>
    </xs:complexType>
  </xs:element>

```

```

    </xs:complexType>
  </xs:element>
  <xs:element name="GetParameterMessageDataResponse">
    <xs:complexType>
      <xs:sequence>
        <xs:element minOccurs="0" name="GetParameterMessageDataResult" nillable="true">
          <xs:complexType>
            <xs:sequence>
              <xs:any minOccurs="0" maxOccurs="unbounded"
namespace="http://www.w3.org/2001/XMLSchema" processContents="lax" />
              <xs:any minOccurs="1" namespace="urn:schemas-microsoft-com:xml-diffgram-v1"
processContents="lax" />
            </xs:sequence>
          </xs:complexType>
        </xs:element>
      </xs:sequence>
    </xs:complexType>
  </xs:element>
  <xs:element name="RepositoryLocation" nillable="true" type="tns:RepositoryLocation" />
  <xs:complexType name="BpmException">
    <xs:sequence>
      <xs:element minOccurs="1" maxOccurs="1" name="ErrorCode" type="xs:string" />
      <xs:element minOccurs="1" maxOccurs="1" name="EventLogged" type="xs:boolean" />
      <xs:element minOccurs="1" maxOccurs="1" name="Message" type="xs:string" />
    </xs:sequence>
  </xs:complexType>
  <xs:element name="ExportSettings" nillable="true" type="tns:ExportSettings" />
  <xs:complexType name="ExportSettings">
    <xs:sequence>
      <xs:element minOccurs="0" maxOccurs="1" name="WebPartTitle" type="xs:string" />
      <xs:element minOccurs="0" maxOccurs="1" name="PageTitle" type="xs:string" />
      <xs:element minOccurs="1" maxOccurs="1" name="ExportFormat" type="tns:ExportFormat"
/>
      <xs:element minOccurs="0" maxOccurs="1" name="DashboardLink" type="xs:string" />
    </xs:sequence>
  </xs:complexType>
  <xs:element name="ArrayOfArrayOfString" nillable="true" type="tns:ArrayOfArrayOfString"
/>
  <xs:complexType name="ArrayOfArrayOfKeyValueOfstringanyType">
    <xs:sequence>
      <xs:element minOccurs="0" maxOccurs="unbounded"
name="ArrayOfKeyValueOfstringanyType" nillable="true"
type="tns:ArrayOfKeyValueOfstringanyType" />
    </xs:sequence>
  </xs:complexType>
  <xs:element name="ArrayOfArrayOfKeyValueOfstringanyType" nillable="true"
type="tns:ArrayOfArrayOfKeyValueOfstringanyType" />
  <xs:complexType name="ArrayOfKeyValueOfstringanyType">
    <xs:sequence>
      <xs:element minOccurs="0" maxOccurs="unbounded" name="KeyValueOfstringanyType">
        <xs:complexType>
          <xs:sequence>
            <xs:element name="Key" nillable="true" type="xs:string" />
            <xs:element name="Value" nillable="true" type="xs:anyType" />
          </xs:sequence>
        </xs:complexType>
      </xs:element>
    </xs:sequence>
  </xs:complexType>
  <xs:element name="ArrayOfKeyValueOfstringanyType" nillable="true"
type="tns:ArrayOfKeyValueOfstringanyType" />
  <xs:element name="WebPartContext" nillable="true" type="tns:WebPartContext" />
  <xs:complexType name="DictionaryWrapperOfstringstring">
    <xs:sequence>
      <xs:element name="keys" nillable="true" type="tns:ArrayOfString" />
      <xs:element name="values" nillable="true" type="tns:ArrayOfString" />
    </xs:sequence>
  </xs:complexType>

```

```

    <xs:element name="DictionaryWrapperOfstringstring" nillable="true"
type="tns:DictionaryWrapperOfstringstring" />
    <xs:complexType name="DictionaryWrapperOfstringArrayOfStringty7Ep6D1">
      <xs:sequence>
        <xs:element name="keys" nillable="true" type="tns:ArrayOfString" />
        <xs:element name="values" nillable="true" type="tns:ArrayOfArrayOfString" />
      </xs:sequence>
    </xs:complexType>
    <xs:element name="DictionaryWrapperOfstringArrayOfStringty7Ep6D1" nillable="true"
type="tns:DictionaryWrapperOfstringArrayOfStringty7Ep6D1" />
    <xs:complexType name="ArrayOfBIData">
      <xs:sequence>
        <xs:element minOccurs="0" maxOccurs="unbounded" name="BIData" nillable="true"
type="tns:BIData" />
      </xs:sequence>
    </xs:complexType>
    <xs:element name="ArrayOfBIData" nillable="true" type="tns:ArrayOfBIData" />
    <xs:complexType name="BIData">
      <xs:sequence>
        <xs:element minOccurs="0" name="_consumerParameter" nillable="true"
type="xs:string" />
        <xs:element minOccurs="0" name="_dataValidated" type="xs:boolean" />
        <xs:element minOccurs="0" name="displayColumnName" nillable="true"
type="xs:string" />
        <xs:element minOccurs="0" name="_providerValues" nillable="true"
type="tns:ArrayOfArrayOfKeyValueOfstringanyType" />
        <xs:element minOccurs="0" name="_valuesColumnName" nillable="true" type="xs:string"
/ >
      </xs:sequence>
    </xs:complexType>
    <xs:element name="BIData" nillable="true" type="tns:BIData" />
    <xs:complexType name="WebPartContextUpdate">
      <xs:sequence>
        <xs:element name=" clientViewStateWrapper" nillable="true"
type="tns:DictionaryWrapperOfstringstring" />
        <xs:element name=" legacyFilterSelections" nillable="true" type="tns:ArrayOfBIData"
/ >
      </xs:sequence>
    </xs:complexType>
    <xs:element name="WebPartContextUpdate" nillable="true" type="tns:WebPartContextUpdate"
/ >
    <xs:complexType name="ParameterMessage">
      <xs:complexContent mixed="false">
        <xs:extension base="tns:ParameterDefinition">
          <xs:sequence>
            <xs:element xmlns:q10="http://microsoft.com/wsd/types/" name="dashboardItemId"
type="q10:guid" />
            <xs:element xmlns:q11="http://microsoft.com/wsd/types/" name="mappingId"
type="q11:guid" />
            <xs:element name="values" nillable="true">
              <xs:complexType>
                <xs:sequence>
                  <xs:any minOccurs="0" maxOccurs="unbounded"
namespace="http://www.w3.org/2001/XMLSchema" processContents="lax" />
                  <xs:any minOccurs="1" namespace="urn:schemas-microsoft-com:xml-diffgram-
v1" processContents="lax" />
                </xs:sequence>
              </xs:complexType>
            </xs:element>
          </xs:sequence>
        </xs:extension>
      </xs:complexContent>
    </xs:complexType>
    <xs:element name="ParameterMessage" nillable="true" type="tns:ParameterMessage" />
  </xs:schema>
  <xs:schema xmlns:tns="http://microsoft.com/wsd/types/" elementFormDefault="qualified"
targetNamespace="http://microsoft.com/wsd/types/"
xmlns:xs="http://www.w3.org/2001/XMLSchema">
    <xs:simpleType name="guid">

```

```

        <xs:restriction base="xs:string">
            <xs:pattern value="[0-9a-fA-F]{8}-[0-9a-fA-F]{4}-[0-9a-fA-F]{4}-[0-9a-fA-F]{4}-[0-
9a-fA-F]{12}" />
        </xs:restriction>
    </xs:simpleType>
    <xs:simpleType name="char">
        <xs:restriction base="xs:unsignedShort" />
    </xs:simpleType>
</xs:schema>
</xs:schema>
xmlns:tns="http://schemas.datacontract.org/2004/07/Microsoft.PerformancePoint.Scorecards"
xmlns:ser="http://schemas.microsoft.com/2003/10/Serialization/"
elementFormDefault="qualified"
targetNamespace="http://schemas.datacontract.org/2004/07/Microsoft.PerformancePoint.Scorecard
s" xmlns:xs="http://www.w3.org/2001/XMLSchema">
    <xs:import namespace="http://schemas.datacontract.org/2004/07/System" />
    <xs:import namespace="http://schemas.microsoft.com/2003/10/Serialization/Arrays" />
    <xs:import namespace="http://schemas.microsoft.com/2003/10/Serialization/" />
    <xs:complexType name="BpmException">
        <xs:complexContent mixed="false">
            <xs:extension xmlns:q1="http://schemas.datacontract.org/2004/07/System"
base="q1:ApplicationException" />
        </xs:complexContent>
    </xs:complexType>
    <xs:element name="BpmException" nillable="true" type="tns:BpmException" />
    <xs:complexType name="BpmWarning">
        <xs:complexContent mixed="false">
            <xs:extension base="tns:BpmException" />
        </xs:complexContent>
    </xs:complexType>
    <xs:element name="BpmWarning" nillable="true" type="tns:BpmWarning" />
    <xs:complexType name="GridTooLargeForExportToPowerPointException">
        <xs:complexContent mixed="false">
            <xs:extension base="tns:BpmException" />
        </xs:complexContent>
    </xs:complexType>
    <xs:element name="GridTooLargeForExportToPowerPointException" nillable="true"
type="tns:GridTooLargeForExportToPowerPointException" />
    <xs:complexType name="GridTooLargeForExportToExcelException">
        <xs:complexContent mixed="false">
            <xs:extension base="tns:BpmException" />
        </xs:complexContent>
    </xs:complexType>
    <xs:element name="GridTooLargeForExportToExcelException" nillable="true"
type="tns:GridTooLargeForExportToExcelException" />
    <xs:complexType name="BpmNoAccessException">
        <xs:complexContent mixed="false">
            <xs:extension base="tns:BpmException" />
        </xs:complexContent>
    </xs:complexType>
    <xs:element name="BpmNoAccessException" nillable="true" type="tns:BpmNoAccessException"
/>
    <xs:complexType name="BpmDashboardItemNotFoundException">
        <xs:complexContent mixed="false">
            <xs:extension base="tns:BpmException" />
        </xs:complexContent>
    </xs:complexType>
    <xs:element name="BpmDashboardItemNotFoundException" nillable="true"
type="tns:BpmDashboardItemNotFoundException" />
    <xs:complexType name="BpmDevException">
        <xs:complexContent mixed="false">
            <xs:extension base="tns:BpmException" />
        </xs:complexContent>
    </xs:complexType>
    <xs:element name="BpmDevException" nillable="true" type="tns:BpmDevException" />
    <xs:complexType name="BpmRenderingException">
        <xs:complexContent mixed="false">
            <xs:extension base="tns:BpmException" />
        </xs:complexContent>
    </xs:complexType>

```

```

</xs:complexType>
<xs:element name="BpmRenderingException" nillable="true"
type="tns:BpmRenderingException" />
<xs:complexType name="BpmServerExportException">
  <xs:complexContent mixed="false">
    <xs:extension base="tns:BpmException" />
  </xs:complexContent>
</xs:complexType>
<xs:element name="BpmServerExportException" nillable="true"
type="tns:BpmServerExportException" />
<xs:complexType name="WebPartContext">
  <xs:sequence>
    <xs:element name="_clientViewState" nillable="true"
type="tns:DictionaryWrapperOfstringstring" />
    <xs:element name="_filterSelections" nillable="true" type="tns:ArrayOfBIData" />
    <xs:element xmlns:q2="http://schemas.microsoft.com/2003/10/Serialization/Arrays"
name=" inUseProviderParameterNames" nillable="true" type="q2:ArrayOfstring" />
    <xs:element name="_legacyFilterSelections" nillable="true" type="tns:ArrayOfBIData"
/>
    <xs:element name="_providerParameterSelections" nillable="true"
type="tns:DictionaryWrapperOfstringArrayOfstringty7Ep6D1" />
  </xs:sequence>
</xs:complexType>
<xs:element name="WebPartContext" nillable="true" type="tns:WebPartContext" />
<xs:complexType name="DictionaryWrapperOfstringstring">
  <xs:sequence>
    <xs:element xmlns:q3="http://schemas.microsoft.com/2003/10/Serialization/Arrays"
name="dictionary" nillable="true"
type="q3:ArrayOfKeyValueOfstringKeyValuePairOfintstringtwCi8m S7" />
    <xs:element xmlns:q4="http://schemas.microsoft.com/2003/10/Serialization/Arrays"
name="keys" nillable="true" type="q4:ArrayOfstring" />
    <xs:element xmlns:q5="http://schemas.microsoft.com/2003/10/Serialization/Arrays"
name="values" nillable="true" type="q5:ArrayOfstring" />
  </xs:sequence>
</xs:complexType>
<xs:element name="DictionaryWrapperOfstringstring" nillable="true"
type="tns:DictionaryWrapperOfstringstring" />
<xs:complexType name="ArrayOfBIData">
  <xs:sequence>
    <xs:element minOccurs="0" maxOccurs="unbounded" name="BIData" nillable="true"
type="tns:BIData" />
  </xs:sequence>
</xs:complexType>
<xs:element name="ArrayOfBIData" nillable="true" type="tns:ArrayOfBIData" />
<xs:complexType name="BIData">
  <xs:sequence>
    <xs:element minOccurs="0" name="_consumerParameter" nillable="true"
type="xs:string" />
    <xs:element minOccurs="0" name="_dataValidated" type="xs:boolean" />
    <xs:element minOccurs="0" name="_displayColumnName" nillable="true"
type="xs:string" />
    <xs:element xmlns:q6="http://schemas.microsoft.com/2003/10/Serialization/Arrays"
minOccurs="0" name="_providerValues" nillable="true"
type="q6:ArrayOfArrayOfKeyValueOfstringanyType" />
    <xs:element minOccurs="0" name="_valuesColumnName" nillable="true" type="xs:string"
/>
  </xs:sequence>
</xs:complexType>
<xs:element name="BIData" nillable="true" type="tns:BIData" />
<xs:complexType name="DictionaryWrapperOfstringArrayOfstringty7Ep6D1">
  <xs:sequence>
    <xs:element xmlns:q7="http://schemas.microsoft.com/2003/10/Serialization/Arrays"
name="dictionary" nillable="true"
type="q7:ArrayOfKeyValueOfstringKeyValuePairOfintArrayOfstringty7Ep6D1twCi8m_S7" />
    <xs:element xmlns:q8="http://schemas.microsoft.com/2003/10/Serialization/Arrays"
name="keys" nillable="true" type="q8:ArrayOfstring" />
    <xs:element xmlns:q9="http://schemas.microsoft.com/2003/10/Serialization/Arrays"
name="values" nillable="true" type="q9:ArrayOfArrayOfstring" />
  </xs:sequence>

```



```

    </xs:complexType>
    <xs:element name="DictionaryWrapperOfstringArrayOfstringty7Ep6D1" nillable="true"
type="tns:DictionaryWrapperOfstringArrayOfstringty7Ep6D1" />
    <xs:complexType name="WebPartContextUpdate">
      <xs:sequence>
        <xs:element name=" clientViewStateWrapper" nillable="true"
type="tns:DictionaryWrapperOfstringstring" />
        <xs:element name="_legacyFilterSelections" nillable="true" type="tns:ArrayOfBIData"
/>
      </xs:sequence>
    </xs:complexType>
    <xs:element name="WebPartContextUpdate" nillable="true" type="tns:WebPartContextUpdate"
/>
    <xs:complexType name="ParameterMessage">
      <xs:complexContent mixed="false">
        <xs:extension base="tns:ParameterDefinition">
          <xs:sequence>
            <xs:element name="dashboardItemId" type="ser:guid" />
            <xs:element name="mappingId" type="ser:guid" />
            <xs:element name="values" nillable="true">
              <xs:complexType>
                <xs:sequence>
                  <xs:any minOccurs="0" maxOccurs="unbounded"
namespace="http://www.w3.org/2001/XMLSchema" processContents="lax" />
                  <xs:any minOccurs="1" namespace="urn:schemas-microsoft-com:xml-diffgram-
v1" processContents="lax" />
                </xs:sequence>
              </xs:complexType>
            </xs:element>
          </xs:sequence>
        </xs:extension>
      </xs:complexContent>
    </xs:complexType>
    <xs:element name="ParameterMessage" nillable="true" type="tns:ParameterMessage" />
    <xs:complexType name="ParameterDefinition">
      <xs:sequence>
        <xs:element name="customDefinition" nillable="true" type="xs:string" />
        <xs:element name="defaultPostFormula" nillable="true" type="xs:string" />
        <xs:element name="displayColumn" nillable="true" type="xs:string" />
        <xs:element name="displayName" nillable="true" type="xs:string" />
        <xs:element name="displayValues" nillable="true">
          <xs:complexType>
            <xs:sequence>
              <xs:any minOccurs="0" maxOccurs="unbounded"
namespace="http://www.w3.org/2001/XMLSchema" processContents="lax" />
              <xs:any minOccurs="1" namespace="urn:schemas-microsoft-com:xml-diffgram-v1"
processContents="lax" />
            </xs:sequence>
          </xs:complexType>
        </xs:element>
        <xs:element name="emitterType" type="tns:BeginPointEmitterType" />
        <xs:element name="isDefaultColumn" nillable="true" type="xs:string" />
        <xs:element name="keyColumn" nillable="true" type="xs:string" />
        <xs:element name="parameterProviderId" nillable="true" type="xs:string" />
        <xs:element name="parameterUniqueName" nillable="true" type="xs:string" />
        <xs:element name="parentKeyColumn" nillable="true" type="xs:string" />
      </xs:sequence>
    </xs:complexType>
    <xs:element name="ParameterDefinition" nillable="true" type="tns:ParameterDefinition"
/>
    <xs:simpleType name="BeginPointEmitterType">
      <xs:restriction base="xs:string">
        <xs:enumeration value="BothAConditionalVisibilityAndParameterEmitter" />
        <xs:enumeration value="ConditionalVisibilityEmitter" />
        <xs:enumeration value="ParameterEmitter" />
      </xs:restriction>
    </xs:simpleType>
    <xs:element name="BeginPointEmitterType" nillable="true"
type="tns:BeginPointEmitterType" />

```

```

<xs:complexType name="ParameterMapping">
  <xs:sequence>
    <xs:element name="_isDefaultVisibility" type="xs:boolean" />
    <xs:element name="ConditionalData" nillable="true">
      <xs:complexType>
        <xs:sequence>
          <xs:any minOccurs="0" maxOccurs="unbounded"
namespace="http://www.w3.org/2001/XMLSchema" processContents="lax" />
          <xs:any minOccurs="1" namespace="urn:schemas-microsoft-com:xml-diffgram-v1"
processContents="lax" />
        </xs:sequence>
      </xs:complexType>
    </xs:element>
    <xs:element name="dashboardItemId" type="ser:guid" />
    <xs:element name="endPointUniqueName" nillable="true" type="xs:string" />
    <xs:element name="id" type="ser:guid" />
    <xs:element name="isConditionalDataEnabled" type="xs:boolean" />
    <xs:element name="parameterUniqueName" nillable="true" type="xs:string" />
    <xs:element name="postFormula" nillable="true" type="xs:string" />
    <xs:element name="sourceColumnName" nillable="true" type="xs:string" />
  </xs:sequence>
</xs:complexType>
<xs:element name="ParameterMapping" nillable="true" type="tns:ParameterMapping" />
</xs:schema>
<xs:schema xmlns:tns="http://schemas.datacontract.org/2004/07/System"
xmlns:ser="http://schemas.microsoft.com/2003/10/Serialization/"
elementFormDefault="qualified"
targetNamespace="http://schemas.datacontract.org/2004/07/System"
xmlns:xs="http://www.w3.org/2001/XMLSchema">
  <xs:import namespace="http://schemas.microsoft.com/2003/10/Serialization/" />
  <xs:complexType name="ApplicationException">
    <xs:complexContent mixed="false">
      <xs:extension base="tns:Exception" />
    </xs:complexContent>
  </xs:complexType>
  <xs:element name="ApplicationException" nillable="true" type="tns:ApplicationException" />
</xs:schema>
<xs:complexType name="Exception">
  <xs:sequence>
    <xs:any minOccurs="0" maxOccurs="unbounded" namespace="##local"
processContents="skip" />
  </xs:sequence>
  <xs:attribute ref="ser:FactoryType" />
</xs:complexType>
<xs:element name="Exception" nillable="true" type="tns:Exception" />
</xs:schema>
<xs:schema xmlns:tns="http://schemas.microsoft.com/2003/10/Serialization/"
attributeFormDefault="qualified" elementFormDefault="qualified"
targetNamespace="http://schemas.microsoft.com/2003/10/Serialization/"
xmlns:xs="http://www.w3.org/2001/XMLSchema">
  <xs:element name="anyType" nillable="true" type="xs:anyType" />
  <xs:element name="anyURI" nillable="true" type="xs:anyURI" />
  <xs:element name="base64Binary" nillable="true" type="xs:base64Binary" />
  <xs:element name="boolean" nillable="true" type="xs:boolean" />
  <xs:element name="byte" nillable="true" type="xs:byte" />
  <xs:element name="dateTime" nillable="true" type="xs:dateTime" />
  <xs:element name="decimal" nillable="true" type="xs:decimal" />
  <xs:element name="double" nillable="true" type="xs:double" />
  <xs:element name="float" nillable="true" type="xs:float" />
  <xs:element name="int" nillable="true" type="xs:int" />
  <xs:element name="long" nillable="true" type="xs:long" />
  <xs:element name="QName" nillable="true" type="xs:QName" />
  <xs:element name="short" nillable="true" type="xs:short" />
  <xs:element name="string" nillable="true" type="xs:string" />
  <xs:element name="unsignedByte" nillable="true" type="xs:unsignedByte" />
  <xs:element name="unsignedInt" nillable="true" type="xs:unsignedInt" />
  <xs:element name="unsignedLong" nillable="true" type="xs:unsignedLong" />
  <xs:element name="unsignedShort" nillable="true" type="xs:unsignedShort" />
  <xs:element name="char" nillable="true" type="tns:char" />

```

```

<xs:simpleType name="char">
  <xs:restriction base="xs:int" />
</xs:simpleType>
<xs:element name="duration" nillable="true" type="tns:duration" />
<xs:simpleType name="duration">
  <xs:restriction base="xs:duration">
    <xs:pattern value="\-?P(\d*D)?(T(\d*H)?(\d*M)?(\d*(\.\d*)?S)?)?" />
    <xs:minInclusive value="-P10675199DT2H48M5.4775808S" />
    <xs:maxInclusive value="P10675199DT2H48M5.4775807S" />
  </xs:restriction>
</xs:simpleType>
<xs:element name="guid" nillable="true" type="tns:guid" />
<xs:simpleType name="guid">
  <xs:restriction base="xs:string">
    <xs:pattern value="[\da-fA-F]{8}-[\da-fA-F]{4}-[\da-fA-F]{4}-[\da-fA-F]{4}-[\da-fA-F]{12}" />
  </xs:restriction>
</xs:simpleType>
<xs:attribute name="FactoryType" type="xs:QName" />
<xs:attribute name="Id" type="xs:ID" />
<xs:attribute name="Ref" type="xs:IDREF" />
</xs:schema>
<xs:schema xmlns:tns="http://schemas.microsoft.com/2003/10/Serialization/Arrays"
  elementFormDefault="qualified"
  targetNamespace="http://schemas.microsoft.com/2003/10/Serialization/Arrays"
  xmlns:xs="http://www.w3.org/2001/XMLSchema">
  <xs:import
    namespace="http://schemas.datacontract.org/2004/07/System.Collections.Generic" />
  <xs:complexType name="ArrayOfKeyValueOfstringKeyValuePairOfintstringtwCi8m_S7">
    <xs:sequence>
      <xs:element minOccurs="0" maxOccurs="unbounded"
        name="KeyValueOfstringKeyValuePairOfintstringtwCi8m_S7">
        <xs:complexType>
          <xs:sequence>
            <xs:element name="Key" nillable="true" type="xs:string" />
            <xs:element
              xmlns:q1="http://schemas.datacontract.org/2004/07/System.Collections.Generic" name="Value"
              type="q1:KeyValuePairOfintstring" />
          </xs:sequence>
        </xs:complexType>
      </xs:element>
    </xs:sequence>
  </xs:complexType>
  <xs:element name="ArrayOfKeyValueOfstringKeyValuePairOfintstringtwCi8m_S7"
    nillable="true" type="tns:ArrayOfKeyValueOfstringKeyValuePairOfintstringtwCi8m_S7" />
  <xs:complexType name="ArrayOfstring">
    <xs:sequence>
      <xs:element minOccurs="0" maxOccurs="unbounded" name="string" nillable="true"
        type="xs:string" />
    </xs:sequence>
  </xs:complexType>
  <xs:element name="ArrayOfstring" nillable="true" type="tns:ArrayOfstring" />
  <xs:complexType name="ArrayOfArrayOfKeyValueOfstringanyType">
    <xs:sequence>
      <xs:element minOccurs="0" maxOccurs="unbounded"
        name="ArrayOfKeyValueOfstringanyType" nillable="true"
        type="tns:ArrayOfKeyValueOfstringanyType" />
    </xs:sequence>
  </xs:complexType>
  <xs:element name="ArrayOfArrayOfKeyValueOfstringanyType" nillable="true"
    type="tns:ArrayOfArrayOfKeyValueOfstringanyType" />
  <xs:complexType name="ArrayOfKeyValueOfstringanyType">
    <xs:sequence>
      <xs:element minOccurs="0" maxOccurs="unbounded" name="KeyValueOfstringanyType">
        <xs:complexType>
          <xs:sequence>
            <xs:element name="Key" nillable="true" type="xs:string" />
            <xs:element name="Value" nillable="true" type="xs:anyType" />
          </xs:sequence>
        </xs:complexType>
      </xs:element>
    </xs:sequence>
  </xs:complexType>

```

```

        </xs:complexType>
    </xs:element>
</xs:sequence>
</xs:complexType>
<xs:element name="ArrayOfKeyValueOfstringanyType" nillable="true"
type="tns:ArrayOfKeyValueOfstringanyType" />
<xs:complexType
name="ArrayOfKeyValueOfstringKeyValuePairOfintArrayOfstringty7Ep6D1twCi8m_S7">
    <xs:sequence>
        <xs:element minOccurs="0" maxOccurs="unbounded"
name="KeyValueOfstringKeyValuePairOfintArrayOfstringty7Ep6D1twCi8m_S7">
            <xs:complexType>
                <xs:sequence>
                    <xs:element name="Key" nillable="true" type="xs:string" />
                    <xs:element
xmlns:q2="http://schemas.datacontract.org/2004/07/System.Collections.Generic" name="Value"
type="q2:KeyValuePairOfintArrayOfstringty7Ep6D1" />
                </xs:sequence>
            </xs:complexType>
        </xs:element>
    </xs:sequence>
</xs:complexType>
<xs:element
name="ArrayOfKeyValueOfstringKeyValuePairOfintArrayOfstringty7Ep6D1twCi8m_S7" nillable="true"
type="tns:ArrayOfKeyValueOfstringKeyValuePairOfintArrayOfstringty7Ep6D1twCi8m_S7" />
    <xs:complexType name="ArrayOfArrayOfstring">
        <xs:sequence>
            <xs:element minOccurs="0" maxOccurs="unbounded" name="ArrayOfstring"
nillable="true" type="tns:ArrayOfstring" />
        </xs:sequence>
    </xs:complexType>
    <xs:element name="ArrayOfArrayOfstring" nillable="true" type="tns:ArrayOfArrayOfstring"
/>
</xs:schema>
<xs:schema xmlns:tns="http://schemas.datacontract.org/2004/07/System.Collections.Generic"
elementFormDefault="qualified"
targetNamespace="http://schemas.datacontract.org/2004/07/System.Collections.Generic"
xmlns:xs="http://www.w3.org/2001/XMLSchema">
    <xs:import namespace="http://schemas.microsoft.com/2003/10/Serialization/" />
    <xs:import namespace="http://schemas.microsoft.com/2003/10/Serialization/Arrays" />
    <xs:complexType name="KeyValuePairOfintstring">
        <xs:sequence>
            <xs:element name="key" type="xs:int" />
            <xs:element name="value" nillable="true" type="xs:string" />
        </xs:sequence>
    </xs:complexType>
    <xs:element name="KeyValuePairOfintstring" nillable="true"
type="tns:KeyValuePairOfintstring" />
    <xs:complexType name="KeyValuePairOfintArrayOfstringty7Ep6D1">
        <xs:sequence>
            <xs:element name="key" type="xs:int" />
            <xs:element xmlns:q1="http://schemas.microsoft.com/2003/10/Serialization/Arrays"
name="value" nillable="true" type="q1:ArrayOfstring" />
        </xs:sequence>
    </xs:complexType>
    <xs:element name="KeyValuePairOfintArrayOfstringty7Ep6D1" nillable="true"
type="tns:KeyValuePairOfintArrayOfstringty7Ep6D1" />
</xs:schema>
<xs:schema
xmlns:tns="http://schemas.datacontract.org/2004/07/Microsoft.PerformancePoint.Scorecards.Serv
erCommon.Export" elementFormDefault="qualified"
targetNamespace="http://schemas.datacontract.org/2004/07/Microsoft.PerformancePoint.Scorecard
s.ServerCommon.Export" xmlns:xs="http://www.w3.org/2001/XMLSchema">
    <xs:complexType name="OfficeExportInfo">
        <xs:sequence>
            <xs:element minOccurs="0" name="_downloadFileName" nillable="true" type="xs:string"
/>
            <xs:element minOccurs="0" name="_exportData" nillable="true" type="xs:base64Binary"
/>

```

```

        <xs:element minOccurs="0" name="_exportUri" nillable="true" type="xs:string" />
    </xs:sequence>
</xs:complexType>
<xs:element name="OfficeExportInfo" nillable="true" type="tns:OfficeExportInfo" />
</xs:schema>
<xs:schema
xmlns:tns="http://schemas.datacontract.org/2004/07/Microsoft.PerformancePoint.Scorecards.ServerCommon" elementFormDefault="qualified"
targetNamespace="http://schemas.datacontract.org/2004/07/Microsoft.PerformancePoint.Scorecards.ServerCommon" xmlns:xs="http://www.w3.org/2001/XMLSchema">
    <xs:complexType name="ArrayOfSubstitutionPair">
        <xs:sequence>
            <xs:element minOccurs="0" maxOccurs="unbounded" name="SubstitutionPair"
nillable="true" type="tns:SubstitutionPair" />
        </xs:sequence>
    </xs:complexType>
    <xs:element name="ArrayOfSubstitutionPair" nillable="true"
type="tns:ArrayOfSubstitutionPair" />
    <xs:complexType name="SubstitutionPair">
        <xs:sequence>
            <xs:element name="_x003C_Token_x003E_k__BackingField" nillable="true"
type="xs:string" />
            <xs:element name="x003C_Value_x003E_k_BackgroundColor" nillable="true"
type="xs:string" />
        </xs:sequence>
    </xs:complexType>
    <xs:element name="SubstitutionPair" nillable="true" type="tns:SubstitutionPair" />
</xs:schema>
<xs:schema xmlns:tns="http://schemas.datacontract.org/2004/07/System.Data"
elementFormDefault="qualified"
targetNamespace="http://schemas.datacontract.org/2004/07/System.Data"
xmlns:xs="http://www.w3.org/2001/XMLSchema">
    <xs:element name="DataTable" nillable="true">
        <xs:complexType>
            <xs:sequence>
                <xs:any minOccurs="0" maxOccurs="unbounded"
namespace="http://www.w3.org/2001/XMLSchema" processContents="lax" />
                <xs:any minOccurs="1" namespace="urn:schemas-microsoft-com:xml-diffgram-v1"
processContents="lax" />
            </xs:sequence>
        </xs:complexType>
    </xs:element>
</xs:schema>
</wsdl:types>
<wsdl:message name="IBIMonitoringServiceApplication_DeleteDataSource_InputMessage">
    <wsdl:part name="parameters" element="tns:DeleteDataSource" />
</wsdl:message>
<wsdl:message name="IBIMonitoringServiceApplication_DeleteDataSource_OutputMessage">
    <wsdl:part name="parameters" element="tns:DeleteDataSourceResponse" />
</wsdl:message>
<wsdl:message
name="IBIMonitoringServiceApplication_DeleteDataSource_BpmExceptionFault_FaultMessage">
    <wsdl:part
xmlns:q1="http://schemas.datacontract.org/2004/07/Microsoft.PerformancePoint.Scorecards"
name="detail" element="q1:BpmException" />
</wsdl:message>
<wsdl:message name="IBIMonitoringServiceApplication_SaveFilterValues_InputMessage">
    <wsdl:part name="parameters" element="tns:SaveFilterValues" />
</wsdl:message>
<wsdl:message name="IBIMonitoringServiceApplication_SaveFilterValues_OutputMessage">
    <wsdl:part name="parameters" element="tns:SaveFilterValuesResponse" />
</wsdl:message>
<wsdl:message
name="IBIMonitoringServiceApplication_SaveFilterValues_BpmExceptionFault_FaultMessage">
    <wsdl:part
xmlns:q2="http://schemas.datacontract.org/2004/07/Microsoft.PerformancePoint.Scorecards"
name="detail" element="q2:BpmException" />
</wsdl:message>

```

```

    <wsdl:message
name="IBIMonitoringServiceApplication_SearchParameterDisplayData_InputMessage">
    <wsdl:part name="parameters" element="tns:SearchParameterDisplayData"/>
    </wsdl:message>
    <wsdl:message
name="IBIMonitoringServiceApplication_SearchParameterDisplayData_OutputMessage">
    <wsdl:part name="parameters" element="tns:SearchParameterDisplayDataResponse"/>
    </wsdl:message>
    <wsdl:message
name="IBIMonitoringServiceApplication_SearchParameterDisplayData_BpmExceptionFault_FaultMessage">
    <wsdl:part
xmlns:q1="http://schemas.datacontract.org/2004/07/Microsoft.PerformancePoint.Scorecards"
name="detail" element="q1:BpmException"/>
    </wsdl:part>
    </wsdl:message>
    <wsdl:message
name="IBIMonitoringServiceApplication_GetRemainingParameterDisplayData_InputMessage">
    <wsdl:part name="parameters" element="tns:GetRemainingParameterDisplayData"/>
    </wsdl:message>
    <wsdl:message
name="IBIMonitoringServiceApplication_GetRemainingParameterDisplayData_OutputMessage">
    <wsdl:part name="parameters" element="tns:GetRemainingParameterDisplayDataResponse"/>
    </wsdl:message>
    <wsdl:message
name="IBIMonitoringServiceApplication_GetRemainingParameterDisplayData_BpmExceptionFault_FaultMessage">
    <wsdl:part
xmlns:q1="http://schemas.datacontract.org/2004/07/Microsoft.PerformancePoint.Scorecards"
name="detail" element="q1:BpmException"/>
    </wsdl:part>
    </wsdl:message>
    <wsdl:message
name="IBIMonitoringServiceApplication_GetRemainingSearchResults_InputMessage">
    <wsdl:part name="parameters" element="tns:GetRemainingSearchResults"/>
    </wsdl:message>
    <wsdl:message
name="IBIMonitoringServiceApplication_GetRemainingSearchResults_OutputMessage">
    <wsdl:part name="parameters" element="tns:GetRemainingSearchResultsResponse"/>
    </wsdl:message>
    <wsdl:message
name="IBIMonitoringServiceApplication_GetRemainingSearchResults_BpmExceptionFault_FaultMessage">
    <wsdl:part
xmlns:q1="http://schemas.datacontract.org/2004/07/Microsoft.PerformancePoint.Scorecards"
name="detail" element="q1:BpmException"/>
    </wsdl:part>
    <wsdl:message name="IBIMonitoringServiceApplication_GetKpisFromScorecard_InputMessage">
    <wsdl:part name="parameters" element="tns:GetKpisFromScorecard" />
    </wsdl:message>
    <wsdl:message name="IBIMonitoringServiceApplication_GetKpisFromScorecard_OutputMessage">
    <wsdl:part name="parameters" element="tns:GetKpisFromScorecardResponse" />
    </wsdl:message>
    <wsdl:message
name="IBIMonitoringServiceApplication_GetKpisFromScorecard_BpmExceptionFault_FaultMessage">
    <wsdl:part
xmlns:q3="http://schemas.datacontract.org/2004/07/Microsoft.PerformancePoint.Scorecards"
name="detail" element="q3:BpmException" />
    </wsdl:part>
    <wsdl:message name="IBIMonitoringServiceApplication_GetAnalyticReportView_InputMessage">
    <wsdl:part name="parameters" element="tns:GetAnalyticReportView" />
    </wsdl:message>
    <wsdl:message name="IBIMonitoringServiceApplication_GetAnalyticReportView_OutputMessage">
    <wsdl:part name="parameters" element="tns:GetAnalyticReportViewResponse" />
    </wsdl:message>
    <wsdl:message
name="IBIMonitoringServiceApplication_GetAnalyticReportView_BpmExceptionFault_FaultMessage">
    <wsdl:part
xmlns:q4="http://schemas.datacontract.org/2004/07/Microsoft.PerformancePoint.Scorecards"
name="detail" element="q4:BpmException" />
    </wsdl:part>
    </wsdl:message>

```

```

    <wsdl:message name="IBIMonitoringServiceApplication_GetStrategyMapReportView_InputMessage">
      <wsdl:part name="parameters" element="tns:GetStrategyMapReportView" />
    </wsdl:message>
    <wsdl:message
name="IBIMonitoringServiceApplication_GetStrategyMapReportView_OutputMessage">
      <wsdl:part name="parameters" element="tns:GetStrategyMapReportViewResponse" />
    </wsdl:message>
    <wsdl:message
name="IBIMonitoringServiceApplication_GetStrategyMapReportView_BpmExceptionFault_FaultMessage
">
      <wsdl:part
xmlns:q5="http://schemas.datacontract.org/2004/07/Microsoft.PerformancePoint.Scorecards"
name="detail" element="q5:BpmException" />
    </wsdl:message>
    <wsdl:message
name="IBIMonitoringServiceApplication_GetLatestAnalyticReportVersion_InputMessage">
      <wsdl:part name="parameters" element="tns:GetLatestAnalyticReportVersion" />
    </wsdl:message>
    <wsdl:message
name="IBIMonitoringServiceApplication_GetLatestAnalyticReportVersion_OutputMessage">
      <wsdl:part name="parameters" element="tns:GetLatestAnalyticReportVersionResponse" />
    </wsdl:message>
    <wsdl:message
name="IBIMonitoringServiceApplication_GetLatestAnalyticReportVersion_BpmExceptionFault_FaultM
essage">
      <wsdl:part
xmlns:q6="http://schemas.datacontract.org/2004/07/Microsoft.PerformancePoint.Scorecards"
name="detail" element="q6:BpmException" />
    </wsdl:message>
    <wsdl:message name="IBIMonitoringServiceApplication_GetSettings_InputMessage">
      <wsdl:part name="parameters" element="tns:GetSettings" />
    </wsdl:message>
    <wsdl:message name="IBIMonitoringServiceApplication_GetSettings_OutputMessage">
      <wsdl:part name="parameters" element="tns:GetSettingsResponse" />
    </wsdl:message>
    <wsdl:message
name="IBIMonitoringServiceApplication_GetSettings_BpmExceptionFault_FaultMessage">
      <wsdl:part
xmlns:q7="http://schemas.datacontract.org/2004/07/Microsoft.PerformancePoint.Scorecards"
name="detail" element="q7:BpmException" />
    </wsdl:message>
    <wsdl:message name="IBIMonitoringServiceApplication_GetSetting_InputMessage">
      <wsdl:part name="parameters" element="tns:GetSetting" />
    </wsdl:message>
    <wsdl:message name="IBIMonitoringServiceApplication_GetSetting_OutputMessage">
      <wsdl:part name="parameters" element="tns:GetSettingResponse" />
    </wsdl:message>
    <wsdl:message
name="IBIMonitoringServiceApplication_GetSetting_BpmExceptionFault_FaultMessage">
      <wsdl:part
xmlns:q8="http://schemas.datacontract.org/2004/07/Microsoft.PerformancePoint.Scorecards"
name="detail" element="q8:BpmException" />
    </wsdl:message>
    <wsdl:message name="IBIMonitoringServiceApplication_GetSettingValue_InputMessage">
      <wsdl:part name="parameters" element="tns:GetSettingValue" />
    </wsdl:message>
    <wsdl:message name="IBIMonitoringServiceApplication_GetSettingValue_OutputMessage">
      <wsdl:part name="parameters" element="tns:GetSettingValueResponse" />
    </wsdl:message>
    <wsdl:message
name="IBIMonitoringServiceApplication_GetSettingValue_BpmExceptionFault_FaultMessage">
      <wsdl:part
xmlns:q9="http://schemas.datacontract.org/2004/07/Microsoft.PerformancePoint.Scorecards"
name="detail" element="q9:BpmException" />
    </wsdl:message>
    <wsdl:message name="IBIMonitoringServiceApplication_UpdateSettingValue_InputMessage">
      <wsdl:part name="parameters" element="tns:UpdateSettingValue" />
    </wsdl:message>
    <wsdl:message name="IBIMonitoringServiceApplication_UpdateSettingValue_OutputMessage">

```

```

        <wsdl:part name="parameters" element="tns:UpdateSettingValueResponse" />
    </wsdl:message>
    <wsdl:message
name="IBIMonitoringServiceApplication_UpdateSettingValue_BpmExceptionFault_FaultMessage">
        <wsdl:part
xmlns:q10="http://schemas.datacontract.org/2004/07/Microsoft.PerformancePoint.Scorecards"
name="detail" element="q10:BpmException" />
    </wsdl:message>
    <wsdl:message name="IBIMonitoringServiceApplication_GetAnnotationSetting_InputMessage">
        <wsdl:part name="parameters" element="tns:GetAnnotationSetting" />
    </wsdl:message>
    <wsdl:message name="IBIMonitoringServiceApplication_GetAnnotationSetting_OutputMessage">
        <wsdl:part name="parameters" element="tns:GetAnnotationSettingResponse" />
    </wsdl:message>
    <wsdl:message
name="IBIMonitoringServiceApplication_GetAnnotationSetting_BpmExceptionFault_FaultMessage">
        <wsdl:part
xmlns:q11="http://schemas.datacontract.org/2004/07/Microsoft.PerformancePoint.Scorecards"
name="detail" element="q11:BpmException" />
    </wsdl:message>
    <wsdl:message name="IBIMonitoringServiceApplication_GetDependentElements_InputMessage">
        <wsdl:part name="parameters" element="tns:GetDependentElements" />
    </wsdl:message>
    <wsdl:message name="IBIMonitoringServiceApplication_GetDependentElements_OutputMessage">
        <wsdl:part name="parameters" element="tns:GetDependentElementsResponse" />
    </wsdl:message>
    <wsdl:message
name="IBIMonitoringServiceApplication_GetDependentElements_BpmExceptionFault_FaultMessage">
        <wsdl:part
xmlns:q12="http://schemas.datacontract.org/2004/07/Microsoft.PerformancePoint.Scorecards"
name="detail" element="q12:BpmException" />
    </wsdl:message>
    <wsdl:message name="IBIMonitoringServiceApplication_GetTreeMembersDataTable_InputMessage">
        <wsdl:part name="parameters" element="tns:GetTreeMembersDataTable" />
    </wsdl:message>
    <wsdl:message name="IBIMonitoringServiceApplication_GetTreeMembersDataTable_OutputMessage">
        <wsdl:part name="parameters" element="tns:GetTreeMembersDataTableResponse" />
    </wsdl:message>
    <wsdl:message name="IBIMonitoringServiceApplication_RenderTreeMemberSelector_InputMessage">
        <wsdl:part name="parameters" element="tns:RenderTreeMemberSelector" />
    </wsdl:message>
    <wsdl:message
name="IBIMonitoringServiceApplication_RenderTreeMemberSelector_OutputMessage">
        <wsdl:part name="parameters" element="tns:RenderTreeMemberSelectorResponse" />
    </wsdl:message>
    <wsdl:message name="IBIMonitoringServiceApplication_GetListItems_InputMessage">
        <wsdl:part name="parameters" element="tns:GetListItems" />
    </wsdl:message>
    <wsdl:message name="IBIMonitoringServiceApplication_GetListItems_OutputMessage">
        <wsdl:part name="parameters" element="tns:GetListItemsResponse" />
    </wsdl:message>
    <wsdl:message
name="IBIMonitoringServiceApplication_GetListItems_BpmExceptionFault_FaultMessage">
        <wsdl:part
xmlns:q13="http://schemas.datacontract.org/2004/07/Microsoft.PerformancePoint.Scorecards"
name="detail" element="q13:BpmException" />
    </wsdl:message>
    <wsdl:message name="IBIMonitoringServiceApplication_QueryTimeIntelligence_InputMessage">
        <wsdl:part name="parameters" element="tns:QueryTimeIntelligence" />
    </wsdl:message>
    <wsdl:message name="IBIMonitoringServiceApplication_QueryTimeIntelligence_OutputMessage">
        <wsdl:part name="parameters" element="tns:QueryTimeIntelligenceResponse" />
    </wsdl:message>
    <wsdl:message
name="IBIMonitoringServiceApplication_QueryTimeIntelligence_BpmExceptionFault_FaultMessage">
        <wsdl:part
xmlns:q14="http://schemas.datacontract.org/2004/07/Microsoft.PerformancePoint.Scorecards"
name="detail" element="q14:BpmException" />
    </wsdl:message>

```



```

    <wsdl:message
name="IBIMonitoringServiceApplication_QueryTimeIntelligenceDirect_InputMessage">
    <wsdl:part name="parameters" element="tns:QueryTimeIntelligenceDirect" />
    </wsdl:message>
    <wsdl:message
name="IBIMonitoringServiceApplication_QueryTimeIntelligenceDirect_OutputMessage">
    <wsdl:part name="parameters" element="tns:QueryTimeIntelligenceDirectResponse" />
    </wsdl:message>
    <wsdl:message
name="IBIMonitoringServiceApplication_QueryTimeIntelligenceDirect_BpmExceptionFault_FaultMess
age">
    <wsdl:part
xmlns:q15="http://schemas.datacontract.org/2004/07/Microsoft.PerformancePoint.Scorecards"
name="detail" element="q15:BpmException" />
    </wsdl:part>
    <wsdl:message name="IBIMonitoringServiceApplication_GetRegisteredCustomFCOs_InputMessage">
    <wsdl:part name="parameters" element="tns:GetRegisteredCustomFCOs" />
    </wsdl:message>
    <wsdl:message name="IBIMonitoringServiceApplication_GetRegisteredCustomFCOs_OutputMessage">
    <wsdl:part name="parameters" element="tns:GetRegisteredCustomFCOsResponse" />
    </wsdl:message>
    <wsdl:message
name="IBIMonitoringServiceApplication_GetRegisteredCustomFCOs_BpmExceptionFault_FaultMessage"
>
    <wsdl:part
xmlns:q16="http://schemas.datacontract.org/2004/07/Microsoft.PerformancePoint.Scorecards"
name="detail" element="q16:BpmException" />
    </wsdl:part>
    <wsdl:message name="IBIMonitoringServiceApplication_CreateReportHtml_InputMessage">
    <wsdl:part name="parameters" element="tns:CreateReportHtml" />
    </wsdl:message>
    <wsdl:message name="IBIMonitoringServiceApplication_CreateReportHtml_OutputMessage">
    <wsdl:part name="parameters" element="tns:CreateReportHtmlResponse" />
    </wsdl:message>
    <wsdl:message
name="IBIMonitoringServiceApplication_CreateReportHtml_BpmExceptionFault_FaultMessage">
    <wsdl:part
xmlns:q17="http://schemas.datacontract.org/2004/07/Microsoft.PerformancePoint.Scorecards"
name="detail" element="q17:BpmException" />
    </wsdl:part>
    <wsdl:message name="IBIMonitoringServiceApplication_CreateNavigationMetadata_InputMessage">
    <wsdl:part name="parameters" element="tns:CreateNavigationMetadata" />
    </wsdl:message>
    <wsdl:message
name="IBIMonitoringServiceApplication_CreateNavigationMetadata_OutputMessage">
    <wsdl:part name="parameters" element="tns:CreateNavigationMetadataResponse" />
    </wsdl:message>
    <wsdl:message
name="IBIMonitoringServiceApplication_CreateNavigationMetadata_BpmExceptionFault_FaultMessage
">
    <wsdl:part
xmlns:q18="http://schemas.datacontract.org/2004/07/Microsoft.PerformancePoint.Scorecards"
name="detail" element="q18:BpmException" />
    </wsdl:part>
    <wsdl:message name="IBIMonitoringServiceApplication_GetFilterDependencies_InputMessage">
    <wsdl:part name="parameters" element="tns:GetFilterDependencies" />
    </wsdl:message>
    <wsdl:message name="IBIMonitoringServiceApplication_GetFilterDependencies_OutputMessage">
    <wsdl:part name="parameters" element="tns:GetFilterDependenciesResponse" />
    </wsdl:message>
    <wsdl:message
name="IBIMonitoringServiceApplication_GetFilterDependencies_BpmExceptionFault_FaultMessage">
    <wsdl:part
xmlns:q19="http://schemas.datacontract.org/2004/07/Microsoft.PerformancePoint.Scorecards"
name="detail" element="q19:BpmException" />
    </wsdl:part>
    <wsdl:message name="IBIMonitoringServiceApplication_RenderFilter_InputMessage">
    <wsdl:part name="parameters" element="tns:RenderFilter" />
    </wsdl:message>

```

```

    <wsdl:message name="IBIMonitoringServiceApplication_RenderFilter_OutputMessage">
      <wsdl:part name="parameters" element="tns:RenderFilterResponse" />
    </wsdl:message>
    <wsdl:message
name="IBIMonitoringServiceApplication_RenderFilter_BpmExceptionFault_FaultMessage">
      <wsdl:part
xmlns:q20="http://schemas.datacontract.org/2004/07/Microsoft.PerformancePoint.Scorecards"
name="detail" element="q20:BpmException" />
    </wsdl:message>
    <wsdl:message name="IBIMonitoringServiceApplication_GetReportDependencies_InputMessage">
      <wsdl:part name="parameters" element="tns:GetReportDependencies" />
    </wsdl:message>
    <wsdl:message name="IBIMonitoringServiceApplication_GetReportDependencies_OutputMessage">
      <wsdl:part name="parameters" element="tns:GetReportDependenciesResponse" />
    </wsdl:message>
    <wsdl:message
name="IBIMonitoringServiceApplication_GetReportDependencies_BpmExceptionFault_FaultMessage">
      <wsdl:part
xmlns:q21="http://schemas.datacontract.org/2004/07/Microsoft.PerformancePoint.Scorecards"
name="detail" element="q21:BpmException" />
    </wsdl:message>
    <wsdl:message
name="IBIMonitoringServiceApplication_ReportSupportsExportFormat_InputMessage">
      <wsdl:part name="parameters" element="tns:ReportSupportsExportFormat" />
    </wsdl:message>
    <wsdl:message
name="IBIMonitoringServiceApplication_ReportSupportsExportFormat_OutputMessage">
      <wsdl:part name="parameters" element="tns:ReportSupportsExportFormatResponse" />
    </wsdl:message>
    <wsdl:message
name="IBIMonitoringServiceApplication_ReportSupportsExportFormat_BpmExceptionFault_FaultMessage">
      <wsdl:part
xmlns:q22="http://schemas.datacontract.org/2004/07/Microsoft.PerformancePoint.Scorecards"
name="detail" element="q22:BpmException" />
    </wsdl:message>
    <wsdl:message name="IBIMonitoringServiceApplication_ExportReport_InputMessage">
      <wsdl:part name="parameters" element="tns:ExportReport" />
    </wsdl:message>
    <wsdl:message name="IBIMonitoringServiceApplication_ExportReport_OutputMessage">
      <wsdl:part name="parameters" element="tns:ExportReportResponse" />
    </wsdl:message>
    <wsdl:message
name="IBIMonitoringServiceApplication_ExportReport_BpmExceptionFault_FaultMessage">
      <wsdl:part
xmlns:q23="http://schemas.datacontract.org/2004/07/Microsoft.PerformancePoint.Scorecards"
name="detail" element="q23:BpmException" />
    </wsdl:message>
    <wsdl:message
name="IBIMonitoringServiceApplication_ScorecardSupportsExportFormat_InputMessage">
      <wsdl:part name="parameters" element="tns:ScorecardSupportsExportFormat" />
    </wsdl:message>
    <wsdl:message
name="IBIMonitoringServiceApplication_ScorecardSupportsExportFormat_OutputMessage">
      <wsdl:part name="parameters" element="tns:ScorecardSupportsExportFormatResponse" />
    </wsdl:message>
    <wsdl:message
name="IBIMonitoringServiceApplication_ScorecardSupportsExportFormat_BpmExceptionFault_FaultMessage">
      <wsdl:part
xmlns:q24="http://schemas.datacontract.org/2004/07/Microsoft.PerformancePoint.Scorecards"
name="detail" element="q24:BpmException" />
    </wsdl:message>
    <wsdl:message name="IBIMonitoringServiceApplication_ExportScorecard_InputMessage">
      <wsdl:part name="parameters" element="tns:ExportScorecard" />
    </wsdl:message>
    <wsdl:message name="IBIMonitoringServiceApplication_ExportScorecard_OutputMessage">
      <wsdl:part name="parameters" element="tns:ExportScorecardResponse" />
    </wsdl:message>

```

```

    <wsdl:message
name="IBIMonitoringServiceApplication_ExportScorecard_BpmExceptionFault_FaultMessage">
    <wsdl:part
xmlns:q25="http://schemas.datacontract.org/2004/07/Microsoft.PerformancePoint.Scorecards"
name="detail" element="q25:BpmException" />
    </wsdl:message>
    <wsdl:message name="IBIMonitoringServiceApplication_RenderReport_InputMessage">
    <wsdl:part name="parameters" element="tns:RenderReport" />
    </wsdl:message>
    <wsdl:message name="IBIMonitoringServiceApplication_RenderReport_OutputMessage">
    <wsdl:part name="parameters" element="tns:RenderReportResponse" />
    </wsdl:message>
    <wsdl:message
name="IBIMonitoringServiceApplication_RenderReport_BpmExceptionFault_FaultMessage">
    <wsdl:part
xmlns:q26="http://schemas.datacontract.org/2004/07/Microsoft.PerformancePoint.Scorecards"
name="detail" element="q26:BpmException" />
    </wsdl:message>
    <wsdl:message name="IBIMonitoringServiceApplication_GetScorecardDependencies_InputMessage">
    <wsdl:part name="parameters" element="tns:GetScorecardDependencies" />
    </wsdl:message>
    <wsdl:message
name="IBIMonitoringServiceApplication_GetScorecardDependencies_OutputMessage">
    <wsdl:part name="parameters" element="tns:GetScorecardDependenciesResponse" />
    </wsdl:message>
    <wsdl:message
name="IBIMonitoringServiceApplication_GetScorecardDependencies_BpmExceptionFault_FaultMessage
">
    <wsdl:part
xmlns:q27="http://schemas.datacontract.org/2004/07/Microsoft.PerformancePoint.Scorecards"
name="detail" element="q27:BpmException" />
    </wsdl:message>
    <wsdl:message name="IBIMonitoringServiceApplication_RenderScorecard_InputMessage">
    <wsdl:part name="parameters" element="tns:RenderScorecard" />
    </wsdl:message>
    <wsdl:message name="IBIMonitoringServiceApplication_RenderScorecard_OutputMessage">
    <wsdl:part name="parameters" element="tns:RenderScorecardResponse" />
    </wsdl:message>
    <wsdl:message
name="IBIMonitoringServiceApplication_RenderScorecard_BpmExceptionFault_FaultMessage">
    <wsdl:part
xmlns:q28="http://schemas.datacontract.org/2004/07/Microsoft.PerformancePoint.Scorecards"
name="detail" element="q28:BpmException" />
    </wsdl:message>
    <wsdl:message
name="IBIMonitoringServiceApplication_RenderScorecardAjaxControl_InputMessage">
    <wsdl:part name="parameters" element="tns:RenderScorecardAjaxControl" />
    </wsdl:message>
    <wsdl:message
name="IBIMonitoringServiceApplication_RenderScorecardAjaxControl_OutputMessage">
    <wsdl:part name="parameters" element="tns:RenderScorecardAjaxControlResponse" />
    </wsdl:message>
    <wsdl:message
name="IBIMonitoringServiceApplication_RenderScorecardAjaxControl_BpmExceptionFault_FaultMessa
ge">
    <wsdl:part
xmlns:q29="http://schemas.datacontract.org/2004/07/Microsoft.PerformancePoint.Scorecards"
name="detail" element="q29:BpmException" />
    </wsdl:message>
    <wsdl:message name="IBIMonitoringServiceApplication_GetRenderControlPreview_InputMessage">
    <wsdl:part name="parameters" element="tns:GetRenderControlPreview" />
    </wsdl:message>
    <wsdl:message name="IBIMonitoringServiceApplication_GetRenderControlPreview_OutputMessage">
    <wsdl:part name="parameters" element="tns:GetRenderControlPreviewResponse" />
    </wsdl:message>
    <wsdl:message
name="IBIMonitoringServiceApplication_GetRenderControlPreview_BpmExceptionFault_FaultMessage"
>

```

```

    <wsdl:part
xmlns:q30="http://schemas.datacontract.org/2004/07/Microsoft.PerformancePoint.Scorecards"
name="detail" element="q30:BpmException" />
  </wsdl:message>
  <wsdl:message name="IBIMonitoringServiceApplication_GetDrillThroughPreview_InputMessage">
    <wsdl:part name="parameters" element="tns:GetDrillThroughPreview" />
  </wsdl:message>
  <wsdl:message name="IBIMonitoringServiceApplication_GetDrillThroughPreview_OutputMessage">
    <wsdl:part name="parameters" element="tns:GetDrillThroughPreviewResponse" />
  </wsdl:message>
  <wsdl:message
name="IBIMonitoringServiceApplication_GetDrillThroughPreview_BpmExceptionFault_FaultMessage">
    <wsdl:part
xmlns:q31="http://schemas.datacontract.org/2004/07/Microsoft.PerformancePoint.Scorecards"
name="detail" element="q31:BpmException" />
    </wsdl:message>
    <wsdl:message name="IBIMonitoringServiceApplication_DecomStartAnalyze_InputMessage">
      <wsdl:part name="parameters" element="tns:DecompStartAnalyze" />
    </wsdl:message>
    <wsdl:message name="IBIMonitoringServiceApplication_DecomStartAnalyze_OutputMessage">
      <wsdl:part name="parameters" element="tns:DecompStartAnalyzeResponse" />
    </wsdl:message>
    <wsdl:message
name="IBIMonitoringServiceApplication_DecomStartAnalyze_BpmExceptionFault_FaultMessage">
      <wsdl:part
xmlns:q32="http://schemas.datacontract.org/2004/07/Microsoft.PerformancePoint.Scorecards"
name="detail" element="q32:BpmException" />
      </wsdl:message>
      <wsdl:message name="IBIMonitoringServiceApplication_DecomAutoExpand_InputMessage">
        <wsdl:part name="parameters" element="tns:DecompAutoExpand" />
      </wsdl:message>
      <wsdl:message name="IBIMonitoringServiceApplication_DecomAutoExpand_OutputMessage">
        <wsdl:part name="parameters" element="tns:DecompAutoExpandResponse" />
      </wsdl:message>
      <wsdl:message
name="IBIMonitoringServiceApplication_DecomAutoExpand_BpmExceptionFault_FaultMessage">
        <wsdl:part
xmlns:q33="http://schemas.datacontract.org/2004/07/Microsoft.PerformancePoint.Scorecards"
name="detail" element="q33:BpmException" />
        </wsdl:message>
        <wsdl:message
name="IBIMonitoringServiceApplication_DecomCreateNavigationList_InputMessage">
          <wsdl:part name="parameters" element="tns:DecompCreateNavigationList" />
        </wsdl:message>
        <wsdl:message
name="IBIMonitoringServiceApplication_DecomCreateNavigationList_OutputMessage">
          <wsdl:part name="parameters" element="tns:DecompCreateNavigationListResponse" />
        </wsdl:message>
        <wsdl:message
name="IBIMonitoringServiceApplication_DecomCreateNavigationList_BpmExceptionFault_FaultMessa
ge">
          <wsdl:part
xmlns:q34="http://schemas.datacontract.org/2004/07/Microsoft.PerformancePoint.Scorecards"
name="detail" element="q34:BpmException" />
          </wsdl:message>
          <wsdl:message
name="IBIMonitoringServiceApplication_DecomGetMemberProperties_InputMessage">
            <wsdl:part name="parameters" element="tns:DecompGetMemberProperties" />
          </wsdl:message>
          <wsdl:message
name="IBIMonitoringServiceApplication_DecomGetMemberProperties_OutputMessage">
            <wsdl:part name="parameters" element="tns:DecompGetMemberPropertiesResponse" />
          </wsdl:message>
          <wsdl:message
name="IBIMonitoringServiceApplication_DecomGetMemberProperties_BpmExceptionFault_FaultMessag
e">
            <wsdl:part
xmlns:q35="http://schemas.datacontract.org/2004/07/Microsoft.PerformancePoint.Scorecards"
name="detail" element="q35:BpmException" />

```

```

</wsdl:message>
<wsdl:message name="IBIMonitoringServiceApplication_DecompileExpand_InputMessage">
  <wsdl:part name="parameters" element="tns:DecompileExpand" />
</wsdl:message>
<wsdl:message name="IBIMonitoringServiceApplication_DecompileExpand_OutputMessage">
  <wsdl:part name="parameters" element="tns:DecompileExpandResponse" />
</wsdl:message>
<wsdl:message
name="IBIMonitoringServiceApplication_DecompileExpand_BpmExceptionFault_FaultMessage">
  <wsdl:part
xmlns:q36="http://schemas.datacontract.org/2004/07/Microsoft.PerformancePoint.Scorecards"
name="detail" element="q36:BpmException" />
</wsdl:message>
<wsdl:message name="IBIMonitoringServiceApplication_GetReportViewImageData_InputMessage">
  <wsdl:part name="parameters" element="tns:GetReportViewImageData" />
</wsdl:message>
<wsdl:message name="IBIMonitoringServiceApplication_GetReportViewImageData_OutputMessage">
  <wsdl:part name="parameters" element="tns:GetReportViewImageDataResponse" />
</wsdl:message>
<wsdl:message
name="IBIMonitoringServiceApplication_GetReportViewImageData_BpmExceptionFault_FaultMessage">
  <wsdl:part
xmlns:q37="http://schemas.datacontract.org/2004/07/Microsoft.PerformancePoint.Scorecards"
name="detail" element="q37:BpmException" />
</wsdl:message>
<wsdl:message name="IBIMonitoringServiceApplication_GetAnnotation_InputMessage">
  <wsdl:part name="parameters" element="tns:GetAnnotation" />
</wsdl:message>
<wsdl:message name="IBIMonitoringServiceApplication_GetAnnotation_OutputMessage">
  <wsdl:part name="parameters" element="tns:GetAnnotationResponse" />
</wsdl:message>
<wsdl:message
name="IBIMonitoringServiceApplication_GetAnnotation_BpmExceptionFault_FaultMessage">
  <wsdl:part
xmlns:q38="http://schemas.datacontract.org/2004/07/Microsoft.PerformancePoint.Scorecards"
name="detail" element="q38:BpmException" />
</wsdl:message>
<wsdl:message name="IBIMonitoringServiceApplication_GetAnnotationByID_InputMessage">
  <wsdl:part name="parameters" element="tns:GetAnnotationByID" />
</wsdl:message>
<wsdl:message name="IBIMonitoringServiceApplication_GetAnnotationByID_OutputMessage">
  <wsdl:part name="parameters" element="tns:GetAnnotationByIDResponse" />
</wsdl:message>
<wsdl:message
name="IBIMonitoringServiceApplication_GetAnnotationByID_BpmExceptionFault_FaultMessage">
  <wsdl:part
xmlns:q39="http://schemas.datacontract.org/2004/07/Microsoft.PerformancePoint.Scorecards"
name="detail" element="q39:BpmException" />
</wsdl:message>
<wsdl:message
name="IBIMonitoringServiceApplication_GetAllAnnotationsByScorecardLocation_InputMessage">
  <wsdl:part name="parameters" element="tns:GetAllAnnotationsByScorecardLocation" />
</wsdl:message>
<wsdl:message
name="IBIMonitoringServiceApplication_GetAllAnnotationsByScorecardLocation_OutputMessage">
  <wsdl:part name="parameters" element="tns:GetAllAnnotationsByScorecardLocationResponse"
/>
</wsdl:message>
<wsdl:message
name="IBIMonitoringServiceApplication_GetAllAnnotationsByScorecardLocation_BpmExceptionFault_
FaultMessage">
  <wsdl:part
xmlns:q40="http://schemas.datacontract.org/2004/07/Microsoft.PerformancePoint.Scorecards"
name="detail" element="q40:BpmException" />
</wsdl:message>
<wsdl:message name="IBIMonitoringServiceApplication_CreateAnnotation_InputMessage">
  <wsdl:part name="parameters" element="tns:CreateAnnotation" />
</wsdl:message>
<wsdl:message name="IBIMonitoringServiceApplication_CreateAnnotation_OutputMessage">

```

```

    <wsdl:part name="parameters" element="tns:CreateAnnotationResponse" />
  </wsdl:message>
  <wsdl:message
name="IBIMonitoringServiceApplication_CreateAnnotation_BpmExceptionFault_FaultMessage">
    <wsdl:part
xmlns:q41="http://schemas.datacontract.org/2004/07/Microsoft.PerformancePoint.Scorecards"
name="detail" element="q41:BpmException" />
  </wsdl:message>
  <wsdl:message name="IBIMonitoringServiceApplication_UpdateAnnotation_InputMessage">
    <wsdl:part name="parameters" element="tns:UpdateAnnotation" />
  </wsdl:message>
  <wsdl:message name="IBIMonitoringServiceApplication_UpdateAnnotation_OutputMessage">
    <wsdl:part name="parameters" element="tns:UpdateAnnotationResponse" />
  </wsdl:message>
  <wsdl:message
name="IBIMonitoringServiceApplication_UpdateAnnotation_BpmExceptionFault_FaultMessage">
    <wsdl:part
xmlns:q42="http://schemas.datacontract.org/2004/07/Microsoft.PerformancePoint.Scorecards"
name="detail" element="q42:BpmException" />
  </wsdl:message>
  <wsdl:message name="IBIMonitoringServiceApplication_DeleteAnnotation_InputMessage">
    <wsdl:part name="parameters" element="tns>DeleteAnnotation" />
  </wsdl:message>
  <wsdl:message name="IBIMonitoringServiceApplication_DeleteAnnotation_OutputMessage">
    <wsdl:part name="parameters" element="tns>DeleteAnnotationResponse" />
  </wsdl:message>
  <wsdl:message
name="IBIMonitoringServiceApplication_DeleteAnnotation_BpmExceptionFault_FaultMessage">
    <wsdl:part
xmlns:q43="http://schemas.datacontract.org/2004/07/Microsoft.PerformancePoint.Scorecards"
name="detail" element="q43:BpmException" />
  </wsdl:message>
  <wsdl:message
name="IBIMonitoringServiceApplication_TrimAnnotationByScorecardLocation_InputMessage">
    <wsdl:part name="parameters" element="tns:TrimAnnotationByScorecardLocation" />
  </wsdl:message>
  <wsdl:message
name="IBIMonitoringServiceApplication_TrimAnnotationByScorecardLocation_OutputMessage">
    <wsdl:part name="parameters" element="tns:TrimAnnotationByScorecardLocationResponse" />
  </wsdl:message>
  <wsdl:message
name="IBIMonitoringServiceApplication_TrimAnnotationByScorecardLocation_BpmExceptionFault_FaultMessage">
    <wsdl:part
xmlns:q44="http://schemas.datacontract.org/2004/07/Microsoft.PerformancePoint.Scorecards"
name="detail" element="q44:BpmException" />
  </wsdl:message>
  <wsdl:message name="IBIMonitoringServiceApplication_TrimAnnotationByOwner_InputMessage">
    <wsdl:part name="parameters" element="tns:TrimAnnotationByOwner" />
  </wsdl:message>
  <wsdl:message name="IBIMonitoringServiceApplication_TrimAnnotationByOwner_OutputMessage">
    <wsdl:part name="parameters" element="tns:TrimAnnotationByOwnerResponse" />
  </wsdl:message>
  <wsdl:message
name="IBIMonitoringServiceApplication_TrimAnnotationByOwner_BpmExceptionFault_FaultMessage">
    <wsdl:part
xmlns:q45="http://schemas.datacontract.org/2004/07/Microsoft.PerformancePoint.Scorecards"
name="detail" element="q45:BpmException" />
  </wsdl:message>
  <wsdl:message
name="IBIMonitoringServiceApplication_TrimAnnotationUntouchedSince_InputMessage">
    <wsdl:part name="parameters" element="tns:TrimAnnotationUntouchedSince" />
  </wsdl:message>
  <wsdl:message
name="IBIMonitoringServiceApplication_TrimAnnotationUntouchedSince_OutputMessage">
    <wsdl:part name="parameters" element="tns:TrimAnnotationUntouchedSinceResponse" />
  </wsdl:message>

```

```

    <wsdl:message
name="IBIMonitoringServiceApplication_TrimAnnotationUntouchedSince_BpmExceptionFault_FaultMes
sage">
    <wsdl:part
xmlns:q46="http://schemas.datacontract.org/2004/07/Microsoft.PerformancePoint.Scorecards"
name="detail" element="q46:BpmException" />
    </wsdl:part>
    </wsdl:message>
    <wsdl:message name="IBIMonitoringServiceApplication_CreateDataSource_InputMessage">
    <wsdl:part name="parameters" element="tns:CreateDataSource" />
    </wsdl:part>
    </wsdl:message>
    <wsdl:message name="IBIMonitoringServiceApplication_CreateDataSource_OutputMessage">
    <wsdl:part name="parameters" element="tns:CreateDataSourceResponse" />
    </wsdl:part>
    </wsdl:message>
    <wsdl:message
name="IBIMonitoringServiceApplication_CreateDataSource_BpmExceptionFault_FaultMessage">
    <wsdl:part
xmlns:q47="http://schemas.datacontract.org/2004/07/Microsoft.PerformancePoint.Scorecards"
name="detail" element="q47:BpmException" />
    </wsdl:part>
    </wsdl:message>
    <wsdl:message name="IBIMonitoringServiceApplication_UpdateDataSource_InputMessage">
    <wsdl:part name="parameters" element="tns:UpdateDataSource" />
    </wsdl:part>
    </wsdl:message>
    <wsdl:message name="IBIMonitoringServiceApplication_UpdateDataSource_OutputMessage">
    <wsdl:part name="parameters" element="tns:UpdateDataSourceResponse" />
    </wsdl:part>
    </wsdl:message>
    <wsdl:message
name="IBIMonitoringServiceApplication_UpdateDataSource_BpmExceptionFault_FaultMessage">
    <wsdl:part
xmlns:q48="http://schemas.datacontract.org/2004/07/Microsoft.PerformancePoint.Scorecards"
name="detail" element="q48:BpmException" />
    </wsdl:part>
    </wsdl:message>
    <wsdl:message name="IBIMonitoringServiceApplication_GetDataSource_InputMessage">
    <wsdl:part name="parameters" element="tns:GetDataSource" />
    </wsdl:part>
    </wsdl:message>
    <wsdl:message name="IBIMonitoringServiceApplication_GetDataSource_OutputMessage">
    <wsdl:part name="parameters" element="tns:GetDataSourceResponse" />
    </wsdl:part>
    </wsdl:message>
    <wsdl:message
name="IBIMonitoringServiceApplication_GetDataSource_BpmExceptionFault_FaultMessage">
    <wsdl:part
xmlns:q49="http://schemas.datacontract.org/2004/07/Microsoft.PerformancePoint.Scorecards"
name="detail" element="q49:BpmException" />
    </wsdl:part>
    </wsdl:message>
    <wsdl:message name="IBIMonitoringServiceApplication_GetMdx_InputMessage">
    <wsdl:part name="parameters" element="tns:GetMdx" />
    </wsdl:part>
    </wsdl:message>
    <wsdl:message name="IBIMonitoringServiceApplication_GetMdx_OutputMessage">
    <wsdl:part name="parameters" element="tns:GetMdxResponse" />
    </wsdl:part>
    </wsdl:message>
    <wsdl:message name="IBIMonitoringServiceApplication_GetMdx_BpmExceptionFault_FaultMessage">
    <wsdl:part
xmlns:q50="http://schemas.datacontract.org/2004/07/Microsoft.PerformancePoint.Scorecards"
name="detail" element="q50:BpmException" />
    </wsdl:part>
    </wsdl:message>
    <wsdl:message
name="IBIMonitoringServiceApplication_SaveTemporaryAnalyticReport_InputMessage">
    <wsdl:part name="parameters" element="tns:SaveTemporaryAnalyticReport" />
    </wsdl:part>
    </wsdl:message>
    <wsdl:message
name="IBIMonitoringServiceApplication_SaveTemporaryAnalyticReport_OutputMessage">
    <wsdl:part name="parameters" element="tns:SaveTemporaryAnalyticReportResponse" />
    </wsdl:part>
    </wsdl:message>
    <wsdl:message
name="IBIMonitoringServiceApplication_SaveTemporaryAnalyticReport_BpmExceptionFault_FaultMess
age">
    <wsdl:part
xmlns:q51="http://schemas.datacontract.org/2004/07/Microsoft.PerformancePoint.Scorecards"
name="detail" element="q51:BpmException" />
    </wsdl:part>
    </wsdl:message>

```

```

    <wsdl:message
name="IBIMonitoringServiceApplication_SaveTemporaryStrategyMapReport_InputMessage">
    <wsdl:part name="parameters" element="tns:SaveTemporaryStrategyMapReport" />
    </wsdl:message>
    <wsdl:message
name="IBIMonitoringServiceApplication_SaveTemporaryStrategyMapReport_OutputMessage">
    <wsdl:part name="parameters" element="tns:SaveTemporaryStrategyMapReportResponse" />
    </wsdl:message>
    <wsdl:message
name="IBIMonitoringServiceApplication_SaveTemporaryStrategyMapReport_BpmExceptionFault_FaultM
essage">
    <wsdl:part
xmlns:q52="http://schemas.datacontract.org/2004/07/Microsoft.PerformancePoint.Scorecards"
name="detail" element="q52:BpmException" />
    </wsdl:message>
    <wsdl:message name="IBIMonitoringServiceApplication_GetQueryResultMembers_InputMessage">
    <wsdl:part name="parameters" element="tns:GetQueryResultMembers" />
    </wsdl:message>
    <wsdl:message name="IBIMonitoringServiceApplication_GetQueryResultMembers_OutputMessage">
    <wsdl:part name="parameters" element="tns:GetQueryResultMembersResponse" />
    </wsdl:message>
    <wsdl:message
name="IBIMonitoringServiceApplication_GetQueryResultMembers_BpmExceptionFault_FaultMessage">
    <wsdl:part
xmlns:q53="http://schemas.datacontract.org/2004/07/Microsoft.PerformancePoint.Scorecards"
name="detail" element="q53:BpmException" />
    </wsdl:message>
    <wsdl:message
name="IBIMonitoringServiceApplication_GetDatabaseNamesFromDataSource_InputMessage">
    <wsdl:part name="parameters" element="tns:GetDatabaseNamesFromDataSource" />
    </wsdl:message>
    <wsdl:message
name="IBIMonitoringServiceApplication_GetDatabaseNamesFromDataSource_OutputMessage">
    <wsdl:part name="parameters" element="tns:GetDatabaseNamesFromDataSourceResponse" />
    </wsdl:message>
    <wsdl:message
name="IBIMonitoringServiceApplication_GetDatabaseNamesFromDataSource_BpmExceptionFault_FaultM
essage">
    <wsdl:part
xmlns:q54="http://schemas.datacontract.org/2004/07/Microsoft.PerformancePoint.Scorecards"
name="detail" element="q54:BpmException" />
    </wsdl:message>
    <wsdl:message name="IBIMonitoringServiceApplication_GetPreviewDataSet_InputMessage">
    <wsdl:part name="parameters" element="tns:GetPreviewDataSet" />
    </wsdl:message>
    <wsdl:message name="IBIMonitoringServiceApplication_GetPreviewDataSet_OutputMessage">
    <wsdl:part name="parameters" element="tns:GetPreviewDataSetResponse" />
    </wsdl:message>
    <wsdl:message
name="IBIMonitoringServiceApplication_GetPreviewDataSet_BpmExceptionFault_FaultMessage">
    <wsdl:part
xmlns:q55="http://schemas.datacontract.org/2004/07/Microsoft.PerformancePoint.Scorecards"
name="detail" element="q55:BpmException" />
    </wsdl:message>
    <wsdl:message name="IBIMonitoringServiceApplication_GetCubeNameInfos_InputMessage">
    <wsdl:part name="parameters" element="tns:GetCubeNameInfos" />
    </wsdl:message>
    <wsdl:message name="IBIMonitoringServiceApplication_GetCubeNameInfos_OutputMessage">
    <wsdl:part name="parameters" element="tns:GetCubeNameInfosResponse" />
    </wsdl:message>
    <wsdl:message
name="IBIMonitoringServiceApplication_GetCubeNameInfos_BpmExceptionFault_FaultMessage">
    <wsdl:part
xmlns:q56="http://schemas.datacontract.org/2004/07/Microsoft.PerformancePoint.Scorecards"
name="detail" element="q56:BpmException" />
    </wsdl:message>
    <wsdl:message name="IBIMonitoringServiceApplication_GetCubeMetaData_InputMessage">
    <wsdl:part name="parameters" element="tns:GetCubeMetaData" />
    </wsdl:message>

```



```

    <wsdl:message name="IBIMonitoringServiceApplication_GetCubeMetaData_OutputMessage">
      <wsdl:part name="parameters" element="tns:GetCubeMetaDataResponse" />
    </wsdl:message>
    <wsdl:message
name="IBIMonitoringServiceApplication_GetCubeMetaData_BpmExceptionFault_FaultMessage">
      <wsdl:part
xmlns:q57="http://schemas.datacontract.org/2004/07/Microsoft.PerformancePoint.Scorecards"
name="detail" element="q57:BpmException" />
    </wsdl:message>
    <wsdl:message
name="IBIMonitoringServiceApplication_GetCubeMetaDataForDataSource_InputMessage">
      <wsdl:part name="parameters" element="tns:GetCubeMetaDataForDataSource" />
    </wsdl:message>
    <wsdl:message
name="IBIMonitoringServiceApplication_GetCubeMetaDataForDataSource_OutputMessage">
      <wsdl:part name="parameters" element="tns:GetCubeMetaDataForDataSourceResponse" />
    </wsdl:message>
    <wsdl:message
name="IBIMonitoringServiceApplication_GetCubeMetaDataForDataSource_BpmExceptionFault_FaultMes
sage">
      <wsdl:part
xmlns:q58="http://schemas.datacontract.org/2004/07/Microsoft.PerformancePoint.Scorecards"
name="detail" element="q58:BpmException" />
    </wsdl:message>
    <wsdl:message name="IBIMonitoringServiceApplication_TestConnection_InputMessage">
      <wsdl:part name="parameters" element="tns:TestConnection" />
    </wsdl:message>
    <wsdl:message name="IBIMonitoringServiceApplication_TestConnection_OutputMessage">
      <wsdl:part name="parameters" element="tns:TestConnectionResponse" />
    </wsdl:message>
    <wsdl:message
name="IBIMonitoringServiceApplication_TestConnection_BpmExceptionFault_FaultMessage">
      <wsdl:part
xmlns:q59="http://schemas.datacontract.org/2004/07/Microsoft.PerformancePoint.Scorecards"
name="detail" element="q59:BpmException" />
    </wsdl:message>
    <wsdl:message name="IBIMonitoringServiceApplication_GetDimensions_InputMessage">
      <wsdl:part name="parameters" element="tns:GetDimensions" />
    </wsdl:message>
    <wsdl:message name="IBIMonitoringServiceApplication_GetDimensions_OutputMessage">
      <wsdl:part name="parameters" element="tns:GetDimensionsResponse" />
    </wsdl:message>
    <wsdl:message
name="IBIMonitoringServiceApplication_GetDimensions_BpmExceptionFault_FaultMessage">
      <wsdl:part
xmlns:q60="http://schemas.datacontract.org/2004/07/Microsoft.PerformancePoint.Scorecards"
name="detail" element="q60:BpmException" />
    </wsdl:message>
    <wsdl:message
name="IBIMonitoringServiceApplication_GetDimensionsFromDataSource_InputMessage">
      <wsdl:part name="parameters" element="tns:GetDimensionsFromDataSource" />
    </wsdl:message>
    <wsdl:message
name="IBIMonitoringServiceApplication_GetDimensionsFromDataSource_OutputMessage">
      <wsdl:part name="parameters" element="tns:GetDimensionsFromDataSourceResponse" />
    </wsdl:message>
    <wsdl:message
name="IBIMonitoringServiceApplication_GetDimensionsFromDataSource_BpmExceptionFault_FaultMess
age">
      <wsdl:part
xmlns:q61="http://schemas.datacontract.org/2004/07/Microsoft.PerformancePoint.Scorecards"
name="detail" element="q61:BpmException" />
    </wsdl:message>
    <wsdl:message name="IBIMonitoringServiceApplication_GetCube_InputMessage">
      <wsdl:part name="parameters" element="tns:GetCube" />
    </wsdl:message>
    <wsdl:message name="IBIMonitoringServiceApplication_GetCube_OutputMessage">
      <wsdl:part name="parameters" element="tns:GetCubeResponse" />
    </wsdl:message>

```

```

    <wsdl:message
name="IBIMonitoringServiceApplication_GetCube_BpmExceptionFault_FaultMessage">
    <wsdl:part
xmlns:q62="http://schemas.datacontract.org/2004/07/Microsoft.PerformancePoint.Scorecards"
name="detail" element="q62:BpmException" />
    </wsdl:message>
    <wsdl:message name="IBIMonitoringServiceApplication_GetCubeFromDataSource_InputMessage">
    <wsdl:part name="parameters" element="tns:GetCubeFromDataSource" />
    </wsdl:message>
    <wsdl:message name="IBIMonitoringServiceApplication_GetCubeFromDataSource_OutputMessage">
    <wsdl:part name="parameters" element="tns:GetCubeFromDataSourceResponse" />
    </wsdl:message>
    <wsdl:message
name="IBIMonitoringServiceApplication_GetCubeFromDataSource_BpmExceptionFault_FaultMessage">
    <wsdl:part
xmlns:q63="http://schemas.datacontract.org/2004/07/Microsoft.PerformancePoint.Scorecards"
name="detail" element="q63:BpmException" />
    </wsdl:message>
    <wsdl:message
name="IBIMonitoringServiceApplication_QueryDimensionRootMembers_InputMessage">
    <wsdl:part name="parameters" element="tns:QueryDimensionRootMembers" />
    </wsdl:message>
    <wsdl:message
name="IBIMonitoringServiceApplication_QueryDimensionRootMembers_OutputMessage">
    <wsdl:part name="parameters" element="tns:QueryDimensionRootMembersResponse" />
    </wsdl:message>
    <wsdl:message
name="IBIMonitoringServiceApplication_QueryDimensionRootMembers_BpmExceptionFault_FaultMessag
e">
    <wsdl:part
xmlns:q64="http://schemas.datacontract.org/2004/07/Microsoft.PerformancePoint.Scorecards"
name="detail" element="q64:BpmException" />
    </wsdl:message>
    <wsdl:message
name="IBIMonitoringServiceApplication_QueryDimensionRootMembersFromDataSource_InputMessage">
    <wsdl:part name="parameters" element="tns:QueryDimensionRootMembersFromDataSource" />
    </wsdl:message>
    <wsdl:message
name="IBIMonitoringServiceApplication_QueryDimensionRootMembersFromDataSource_OutputMessage">
    <wsdl:part name="parameters"
element="tns:QueryDimensionRootMembersFromDataSourceResponse" />
    </wsdl:message>
    <wsdl:message
name="IBIMonitoringServiceApplication_QueryDimensionRootMembersFromDataSource_BpmExceptionFau
lt_FaultMessage">
    <wsdl:part
xmlns:q65="http://schemas.datacontract.org/2004/07/Microsoft.PerformancePoint.Scorecards"
name="detail" element="q65:BpmException" />
    </wsdl:message>
    <wsdl:message name="IBIMonitoringServiceApplication_QueryTransformMembers_InputMessage">
    <wsdl:part name="parameters" element="tns:QueryTransformMembers" />
    </wsdl:message>
    <wsdl:message name="IBIMonitoringServiceApplication_QueryTransformMembers_OutputMessage">
    <wsdl:part name="parameters" element="tns:QueryTransformMembersResponse" />
    </wsdl:message>
    <wsdl:message
name="IBIMonitoringServiceApplication_QueryTransformMembers_BpmExceptionFault_FaultMessage">
    <wsdl:part
xmlns:q66="http://schemas.datacontract.org/2004/07/Microsoft.PerformancePoint.Scorecards"
name="detail" element="q66:BpmException" />
    </wsdl:message>
    <wsdl:message name="IBIMonitoringServiceApplication_QueryChildMembers_InputMessage">
    <wsdl:part name="parameters" element="tns:QueryChildMembers" />
    </wsdl:message>
    <wsdl:message name="IBIMonitoringServiceApplication_QueryChildMembers_OutputMessage">
    <wsdl:part name="parameters" element="tns:QueryChildMembersResponse" />
    </wsdl:message>
    <wsdl:message
name="IBIMonitoringServiceApplication_QueryChildMembers_BpmExceptionFault_FaultMessage">

```

```

    <wsdl:part
xmlns:q67="http://schemas.datacontract.org/2004/07/Microsoft.PerformancePoint.Scorecards"
name="detail" element="q67:BpmException" />
    </wsdl:message>
    <wsdl:message
name="IBIMonitoringServiceApplication_QueryChildMembersFromDataSource_InputMessage">
    <wsdl:part name="parameters" element="tns:QueryChildMembersFromDataSource" />
    </wsdl:message>
    <wsdl:message
name="IBIMonitoringServiceApplication_QueryChildMembersFromDataSource_OutputMessage">
    <wsdl:part name="parameters" element="tns:QueryChildMembersFromDataSourceResponse" />
    </wsdl:message>
    <wsdl:message
name="IBIMonitoringServiceApplication_QueryChildMembersFromDataSource_BpmExceptionFault_Fault
Message">
    <wsdl:part
xmlns:q68="http://schemas.datacontract.org/2004/07/Microsoft.PerformancePoint.Scorecards"
name="detail" element="q68:BpmException" />
    </wsdl:message>
    <wsdl:message
name="IBIMonitoringServiceApplication_QueryChildMembersByRangeFromDataSource_InputMessage">
    <wsdl:part name="parameters" element="tns:QueryChildMembersByRangeFromDataSource" />
    </wsdl:message>
    <wsdl:message
name="IBIMonitoringServiceApplication_QueryChildMembersByRangeFromDataSource_OutputMessage">
    <wsdl:part name="parameters" element="tns:QueryChildMembersByRangeFromDataSourceResponse"
/>
    </wsdl:message>
    <wsdl:message
name="IBIMonitoringServiceApplication_QueryChildMembersByRangeFromDataSource_BpmExceptionFault
FaultMessage">
    <wsdl:part
xmlns:q69="http://schemas.datacontract.org/2004/07/Microsoft.PerformancePoint.Scorecards"
name="detail" element="q69:BpmException" />
    </wsdl:message>
    <wsdl:message name="IBIMonitoringServiceApplication_QueryRelatedMember_InputMessage">
    <wsdl:part name="parameters" element="tns:QueryRelatedMember" />
    </wsdl:message>
    <wsdl:message name="IBIMonitoringServiceApplication_QueryRelatedMember_OutputMessage">
    <wsdl:part name="parameters" element="tns:QueryRelatedMemberResponse" />
    </wsdl:message>
    <wsdl:message
name="IBIMonitoringServiceApplication_QueryRelatedMember_BpmExceptionFault_FaultMessage">
    <wsdl:part
xmlns:q70="http://schemas.datacontract.org/2004/07/Microsoft.PerformancePoint.Scorecards"
name="detail" element="q70:BpmException" />
    </wsdl:message>
    <wsdl:message
name="IBIMonitoringServiceApplication_QueryRelatedMemberFromDataSource_InputMessage">
    <wsdl:part name="parameters" element="tns:QueryRelatedMemberFromDataSource" />
    </wsdl:message>
    <wsdl:message
name="IBIMonitoringServiceApplication_QueryRelatedMemberFromDataSource_OutputMessage">
    <wsdl:part name="parameters" element="tns:QueryRelatedMemberFromDataSourceResponse" />
    </wsdl:message>
    <wsdl:message
name="IBIMonitoringServiceApplication_QueryRelatedMemberFromDataSource_BpmExceptionFault_Fault
Message">
    <wsdl:part
xmlns:q71="http://schemas.datacontract.org/2004/07/Microsoft.PerformancePoint.Scorecards"
name="detail" element="q71:BpmException" />
    </wsdl:message>
    <wsdl:message name="IBIMonitoringServiceApplication_QueryNamedSets_InputMessage">
    <wsdl:part name="parameters" element="tns:QueryNamedSets" />
    </wsdl:message>
    <wsdl:message
name="IBIMonitoringServiceApplication_QueryNamedSets_OutputMessage">
    <wsdl:part name="parameters" element="tns:QueryNamedSetsResponse" />
    </wsdl:message>

```

```

    <wsdl:message
name="IBIMonitoringServiceApplication_QueryNamedSets_BpmExceptionFault_FaultMessage">
    <wsdl:part
xmlns:q72="http://schemas.datacontract.org/2004/07/Microsoft.PerformancePoint.Scorecards"
name="detail" element="q72:BpmException" />
    </wsdl:message>
    <wsdl:message
name="IBIMonitoringServiceApplication_QueryNamedSetsFromDataSource_InputMessage">
    <wsdl:part name="parameters" element="tns:QueryNamedSetsFromDataSource" />
    </wsdl:message>
    <wsdl:message
name="IBIMonitoringServiceApplication_QueryNamedSetsFromDataSource_OutputMessage">
    <wsdl:part name="parameters" element="tns:QueryNamedSetsFromDataSourceResponse" />
    </wsdl:message>
    <wsdl:message
name="IBIMonitoringServiceApplication_QueryNamedSetsFromDataSource_BpmExceptionFault_FaultMes
sage">
    <wsdl:part
xmlns:q73="http://schemas.datacontract.org/2004/07/Microsoft.PerformancePoint.Scorecards"
name="detail" element="q73:BpmException" />
    </wsdl:message>
    <wsdl:message name="IBIMonitoringServiceApplication_ValidateKpi_InputMessage">
    <wsdl:part name="parameters" element="tns:ValidateKpi" />
    </wsdl:message>
    <wsdl:message name="IBIMonitoringServiceApplication_ValidateKpi_OutputMessage">
    <wsdl:part name="parameters" element="tns:ValidateKpiResponse" />
    </wsdl:message>
    <wsdl:message
name="IBIMonitoringServiceApplication_ValidateKpi_BpmExceptionFault_FaultMessage">
    <wsdl:part
xmlns:q74="http://schemas.datacontract.org/2004/07/Microsoft.PerformancePoint.Scorecards"
name="detail" element="q74:BpmException" />
    </wsdl:message>
    <wsdl:message name="IBIMonitoringServiceApplication_ValidateScorecard InputMessage">
    <wsdl:part name="parameters" element="tns:ValidateScorecard" />
    </wsdl:message>
    <wsdl:message name="IBIMonitoringServiceApplication_ValidateScorecard_OutputMessage">
    <wsdl:part name="parameters" element="tns:ValidateScorecardResponse" />
    </wsdl:message>
    <wsdl:message
name="IBIMonitoringServiceApplication_ValidateScorecard_BpmExceptionFault_FaultMessage">
    <wsdl:part
xmlns:q75="http://schemas.datacontract.org/2004/07/Microsoft.PerformancePoint.Scorecards"
name="detail" element="q75:BpmException" />
    </wsdl:message>
    <wsdl:message name="IBIMonitoringServiceApplication_ValidateSiteCollection InputMessage">
    <wsdl:part name="parameters" element="tns:ValidateSiteCollection" />
    </wsdl:message>
    <wsdl:message name="IBIMonitoringServiceApplication_ValidateSiteCollection_OutputMessage">
    <wsdl:part name="parameters" element="tns:ValidateSiteCollectionResponse" />
    </wsdl:message>
    <wsdl:message
name="IBIMonitoringServiceApplication_ValidateSiteCollection_BpmExceptionFault_FaultMessage">
    <wsdl:part
xmlns:q76="http://schemas.datacontract.org/2004/07/Microsoft.PerformancePoint.Scorecards"
name="detail" element="q76:BpmException" />
    </wsdl:message>
    <wsdl:message name="IBIMonitoringServiceApplication_MaintenanceJob InputMessage">
    <wsdl:part name="parameters" element="tns:MaintenanceJob" />
    </wsdl:message>
    <wsdl:message name="IBIMonitoringServiceApplication_MaintenanceJob_OutputMessage">
    <wsdl:part name="parameters" element="tns:MaintenanceJobResponse" />
    </wsdl:message>
    <wsdl:message
name="IBIMonitoringServiceApplication_MaintenanceJob_BpmExceptionFault_FaultMessage">
    <wsdl:part
xmlns:q77="http://schemas.datacontract.org/2004/07/Microsoft.PerformancePoint.Scorecards"
name="detail" element="q77:BpmException" />
    </wsdl:message>

```

```

    <wsdl:message name="IBIMonitoringServiceApplication_GenerateView_InputMessage">
      <wsdl:part name="parameters" element="tns:GenerateView" />
    </wsdl:message>
    <wsdl:message name="IBIMonitoringServiceApplication_GenerateView_OutputMessage">
      <wsdl:part name="parameters" element="tns:GenerateViewResponse" />
    </wsdl:message>
    <wsdl:message
name="IBIMonitoringServiceApplication_GenerateView_BpmExceptionFault_FaultMessage">
      <wsdl:part
xmlns:q78="http://schemas.datacontract.org/2004/07/Microsoft.PerformancePoint.Scorecards"
name="detail" element="q78:BpmException" />
    </wsdl:message>
    <wsdl:message name="IBIMonitoringServiceApplication_GenerateViewDirect_InputMessage">
      <wsdl:part name="parameters" element="tns:GenerateViewDirect" />
    </wsdl:message>
    <wsdl:message name="IBIMonitoringServiceApplication_GenerateViewDirect_OutputMessage">
      <wsdl:part name="parameters" element="tns:GenerateViewDirectResponse" />
    </wsdl:message>
    <wsdl:message
name="IBIMonitoringServiceApplication_GenerateViewDirect_BpmExceptionFault_FaultMessage">
      <wsdl:part
xmlns:q79="http://schemas.datacontract.org/2004/07/Microsoft.PerformancePoint.Scorecards"
name="detail" element="q79:BpmException" />
    </wsdl:message>
    <wsdl:message name="IBIMonitoringServiceApplication_GetAsKpis_InputMessage">
      <wsdl:part name="parameters" element="tns:GetAsKpis" />
    </wsdl:message>
    <wsdl:message name="IBIMonitoringServiceApplication_GetAsKpis_OutputMessage">
      <wsdl:part name="parameters" element="tns:GetAsKpisResponse" />
    </wsdl:message>
    <wsdl:message
name="IBIMonitoringServiceApplication_GetAsKpis_BpmExceptionFault_FaultMessage">
      <wsdl:part
xmlns:q80="http://schemas.datacontract.org/2004/07/Microsoft.PerformancePoint.Scorecards"
name="detail" element="q80:BpmException" />
    </wsdl:message>
    <wsdl:message name="IBIMonitoringServiceApplication_GetParameterDisplayData_InputMessage">
      <wsdl:part name="parameters" element="tns:GetParameterDisplayData" />
    </wsdl:message>
    <wsdl:message name="IBIMonitoringServiceApplication_GetParameterDisplayData_OutputMessage">
      <wsdl:part name="parameters" element="tns:GetParameterDisplayDataResponse" />
    </wsdl:message>
    <wsdl:message
name="IBIMonitoringServiceApplication_GetParameterDisplayData_BpmExceptionFault_FaultMessage">
    >
      <wsdl:part
xmlns:q81="http://schemas.datacontract.org/2004/07/Microsoft.PerformancePoint.Scorecards"
name="detail" element="q81:BpmException" />
    </wsdl:message>
    <wsdl:message name="IBIMonitoringServiceApplication_GetFilterDisplayData_InputMessage">
      <wsdl:part name="parameters" element="tns:GetFilterDisplayData" />
    </wsdl:message>
    <wsdl:message name="IBIMonitoringServiceApplication_GetFilterDisplayData_OutputMessage">
      <wsdl:part name="parameters" element="tns:GetFilterDisplayDataResponse" />
    </wsdl:message>
    <wsdl:message
name="IBIMonitoringServiceApplication_GetFilterDisplayData_BpmExceptionFault_FaultMessage">
      <wsdl:part
xmlns:q82="http://schemas.datacontract.org/2004/07/Microsoft.PerformancePoint.Scorecards"
name="detail" element="q82:BpmException" />
    </wsdl:message>
    <wsdl:message name="IBIMonitoringServiceApplication_GetParameterMessageData_InputMessage">
      <wsdl:part name="parameters" element="tns:GetParameterMessageData" />
    </wsdl:message>
    <wsdl:message name="IBIMonitoringServiceApplication_GetParameterMessageData_OutputMessage">
      <wsdl:part name="parameters" element="tns:GetParameterMessageDataResponse" />
    </wsdl:message>

```

```

    <wsdl:message
name="IBIMonitoringServiceApplication_GetParameterMessageData_BpmExceptionFault_FaultMessage"
>
    <wsdl:part
xmlns:q83="http://schemas.datacontract.org/2004/07/Microsoft.PerformancePoint.Scorecards"
name="detail" element="q83:BpmException" />
    </wsdl:message>
    <wsdl:portType name="IBIMonitoringServiceApplication">
        <wsdl:operation name="DeleteDataSource">
            <wsdl:input
wsam:Action="http://www.microsoft.com/performancepoint/scorecards/IBIMonitoringServiceApplica
tion/DeleteDataSource"
message="tns:IBIMonitoringServiceApplication_DeleteDataSource_InputMessage" />
            <wsdl:output
wsam:Action="http://www.microsoft.com/performancepoint/scorecards/IBIMonitoringServiceApplica
tion/DeleteDataSourceResponse"
message="tns:IBIMonitoringServiceApplication DeleteDataSource OutputMessage" />
            <wsdl:fault
wsam:Action="http://www.microsoft.com/performancepoint/scorecards/IBIMonitoringServiceApplica
tion/DeleteDataSourceBpmExceptionFault" name="BpmExceptionFault"
message="tns:IBIMonitoringServiceApplication_DeleteDataSource_BpmExceptionFault_FaultMessage"
/>
        </wsdl:operation>
        <wsdl:operation name="SaveFilterValues">
            <wsdl:input
wsam:Action="http://www.microsoft.com/performancepoint/scorecards/IBIMonitoringServiceApplica
tion/SaveFilterValues"
message="tns:IBIMonitoringServiceApplication_SaveFilterValues_InputMessage" />
            <wsdl:output
wsam:Action="http://www.microsoft.com/performancepoint/scorecards/IBIMonitoringServiceApplica
tion/SaveFilterValuesResponse"
message="tns:IBIMonitoringServiceApplication_SaveFilterValues_OutputMessage" />
            <wsdl:fault
wsam:Action="http://www.microsoft.com/performancepoint/scorecards/IBIMonitoringServiceApplica
tion/SaveFilterValuesBpmExceptionFault" name="BpmExceptionFault"
message="tns:IBIMonitoringServiceApplication_SaveFilterValues_BpmExceptionFault FaultMessage"
/>
        </wsdl:operation>
        <wsdl:operation name="SearchParameterDisplayData">
            <wsdl:input
wsam:Action="http://www.microsoft.com/performancepoint/scorecards/IBIMonitoringServiceApplica
tion/SearchParameterDisplayData"
message="tns:IBIMonitoringServiceApplication_SearchParameterDisplayData_InputMessage"/>
            <wsdl:output
wsam:Action="http://www.microsoft.com/performancepoint/scorecards/IBIMonitoringServiceApplica
tion/SearchParameterDisplayDataResponse"
message="tns:IBIMonitoringServiceApplication_SearchParameterDisplayData_OutputMessage"/>
            <wsdl:fault
wsam:Action="http://www.microsoft.com/performancepoint/scorecards/IBIMonitoringServiceApplica
tion/SearchParameterDisplayDataBpmExceptionFault" name="BpmExceptionFault"
message="tns:IBIMonitoringServiceApplication_SearchParameterDisplayData_BpmExceptionFault_Fau
ltMessage"/>
        </wsdl:operation>
        <wsdl:operation name="GetRemainingParameterDisplayData">
            <wsdl:input
wsam:Action="http://www.microsoft.com/performancepoint/scorecards/IBIMonitoringServiceApplica
tion/GetRemainingParameterDisplayData"
message="tns:IBIMonitoringServiceApplication GetRemainingParameterDisplayData InputMessage"/>
            <wsdl:output
wsam:Action="http://www.microsoft.com/performancepoint/scorecards/IBIMonitoringServiceApplica
tion/GetRemainingParameterDisplayDataResponse"
message="tns:IBIMonitoringServiceApplication_GetRemainingParameterDisplayData_OutputMessage"/
>
            <wsdl:fault
wsam:Action="http://www.microsoft.com/performancepoint/scorecards/IBIMonitoringServiceApplica
tion/GetRemainingParameterDisplayDataBpmExceptionFault" name="BpmExceptionFault"
message="tns:IBIMonitoringServiceApplication_GetRemainingParameterDisplayData_BpmExceptionFau
lt_FaultMessage"/>
        </wsdl:operation>

```

```

    <wsdl:operation name="GetRemainingSearchResults">
      <wsdl:input
wsam:Action="http://www.microsoft.com/performancepoint/scorecards/IBIMonitoringServiceApplication/GetRemainingSearchResults"
message="tns:IBIMonitoringServiceApplication_GetRemainingSearchResults_InputMessage" />
      <wsdl:output
wsam:Action="http://www.microsoft.com/performancepoint/scorecards/IBIMonitoringServiceApplication/GetRemainingSearchResultsResponse"
message="tns:IBIMonitoringServiceApplication_GetRemainingSearchResults_OutputMessage" />
      <wsdl:fault
wsam:Action="http://www.microsoft.com/performancepoint/scorecards/IBIMonitoringServiceApplication/GetRemainingSearchResultsBpmExceptionFault" name="BpmExceptionFault"
message="tns:IBIMonitoringServiceApplication_GetRemainingSearchResults_BpmExceptionFault_FaultMessage" />
    </wsdl:operation>
    <wsdl:operation name="GetKpisFromScorecard">
      <wsdl:input
wsam:Action="http://www.microsoft.com/performancepoint/scorecards/IBIMonitoringServiceApplication/GetKpisFromScorecard"
message="tns:IBIMonitoringServiceApplication_GetKpisFromScorecard_InputMessage" />
      <wsdl:output
wsam:Action="http://www.microsoft.com/performancepoint/scorecards/IBIMonitoringServiceApplication/GetKpisFromScorecardResponse"
message="tns:IBIMonitoringServiceApplication_GetKpisFromScorecard_OutputMessage" />
      <wsdl:fault
wsam:Action="http://www.microsoft.com/performancepoint/scorecards/IBIMonitoringServiceApplication/GetKpisFromScorecardBpmExceptionFault" name="BpmExceptionFault"
message="tns:IBIMonitoringServiceApplication_GetKpisFromScorecard_BpmExceptionFault_FaultMessage" />
    </wsdl:operation>
    <wsdl:operation name="GetAnalyticReportView">
      <wsdl:input
wsam:Action="http://www.microsoft.com/performancepoint/scorecards/IBIMonitoringServiceApplication/GetAnalyticReportView"
message="tns:IBIMonitoringServiceApplication_GetAnalyticReportView_InputMessage" />
      <wsdl:output
wsam:Action="http://www.microsoft.com/performancepoint/scorecards/IBIMonitoringServiceApplication/GetAnalyticReportViewResponse"
message="tns:IBIMonitoringServiceApplication_GetAnalyticReportView_OutputMessage" />
      <wsdl:fault
wsam:Action="http://www.microsoft.com/performancepoint/scorecards/IBIMonitoringServiceApplication/GetAnalyticReportViewBpmExceptionFault" name="BpmExceptionFault"
message="tns:IBIMonitoringServiceApplication_GetAnalyticReportView_BpmExceptionFault_FaultMessage" />
    </wsdl:operation>
    <wsdl:operation name="GetStrategyMapReportView">
      <wsdl:input
wsam:Action="http://www.microsoft.com/performancepoint/scorecards/IBIMonitoringServiceApplication/GetStrategyMapReportView"
message="tns:IBIMonitoringServiceApplication_GetStrategyMapReportView_InputMessage" />
      <wsdl:output
wsam:Action="http://www.microsoft.com/performancepoint/scorecards/IBIMonitoringServiceApplication/GetStrategyMapReportViewResponse"
message="tns:IBIMonitoringServiceApplication_GetStrategyMapReportView_OutputMessage" />
      <wsdl:fault
wsam:Action="http://www.microsoft.com/performancepoint/scorecards/IBIMonitoringServiceApplication/GetStrategyMapReportViewBpmExceptionFault" name="BpmExceptionFault"
message="tns:IBIMonitoringServiceApplication_GetStrategyMapReportView_BpmExceptionFault_FaultMessage" />
    </wsdl:operation>
    <wsdl:operation name="GetLatestAnalyticReportVersion">
      <wsdl:input
wsam:Action="http://www.microsoft.com/performancepoint/scorecards/IBIMonitoringServiceApplication/GetLatestAnalyticReportVersion"
message="tns:IBIMonitoringServiceApplication_GetLatestAnalyticReportVersion_InputMessage" />
      <wsdl:output
wsam:Action="http://www.microsoft.com/performancepoint/scorecards/IBIMonitoringServiceApplication/GetLatestAnalyticReportVersionResponse"
message="tns:IBIMonitoringServiceApplication_GetLatestAnalyticReportVersion_OutputMessage" />

```

```

    <wsdl:fault
wsam:Action="http://www.microsoft.com/performancepoint/scorecards/IBIMonitoringServiceApplica
tion/GetLatestAnalyticReportVersionBpmExceptionFault" name="BpmExceptionFault"
message="tns:IBIMonitoringServiceApplication_GetLatestAnalyticReportVersion_BpmExceptionFault
_FaultMessage" />
    </wsdl:operation>
    <wsdl:operation name="GetSettings">
    <wsdl:input
wsam:Action="http://www.microsoft.com/performancepoint/scorecards/IBIMonitoringServiceApplica
tion/GetSettings" message="tns:IBIMonitoringServiceApplication_GetSettings_InputMessage" />
    <wsdl:output
wsam:Action="http://www.microsoft.com/performancepoint/scorecards/IBIMonitoringServiceApplica
tion/GetSettingsResponse"
message="tns:IBIMonitoringServiceApplication_GetSettings_OutputMessage" />
    <wsdl:fault
wsam:Action="http://www.microsoft.com/performancepoint/scorecards/IBIMonitoringServiceApplica
tion/GetSettingsBpmExceptionFault" name="BpmExceptionFault"
message="tns:IBIMonitoringServiceApplication_GetSettings_BpmExceptionFault_FaultMessage" />
    </wsdl:operation>
    <wsdl:operation name="GetSetting">
    <wsdl:input
wsam:Action="http://www.microsoft.com/performancepoint/scorecards/IBIMonitoringServiceApplica
tion/GetSetting" message="tns:IBIMonitoringServiceApplication_GetSetting_InputMessage" />
    <wsdl:output
wsam:Action="http://www.microsoft.com/performancepoint/scorecards/IBIMonitoringServiceApplica
tion/GetSettingResponse"
message="tns:IBIMonitoringServiceApplication_GetSetting_OutputMessage" />
    <wsdl:fault
wsam:Action="http://www.microsoft.com/performancepoint/scorecards/IBIMonitoringServiceApplica
tion/GetSettingBpmExceptionFault" name="BpmExceptionFault"
message="tns:IBIMonitoringServiceApplication_GetSetting_BpmExceptionFault_FaultMessage" />
    </wsdl:operation>
    <wsdl:operation name="GetSettingValue">
    <wsdl:input
wsam:Action="http://www.microsoft.com/performancepoint/scorecards/IBIMonitoringServiceApplica
tion/GetSettingValue"
message="tns:IBIMonitoringServiceApplication_GetSettingValue_InputMessage" />
    <wsdl:output
wsam:Action="http://www.microsoft.com/performancepoint/scorecards/IBIMonitoringServiceApplica
tion/GetSettingValueResponse"
message="tns:IBIMonitoringServiceApplication_GetSettingValue_OutputMessage" />
    <wsdl:fault
wsam:Action="http://www.microsoft.com/performancepoint/scorecards/IBIMonitoringServiceApplica
tion/GetSettingValueBpmExceptionFault" name="BpmExceptionFault"
message="tns:IBIMonitoringServiceApplication_GetSettingValue_BpmExceptionFault_FaultMessage"
/>
    </wsdl:operation>
    <wsdl:operation name="UpdateSettingValue">
    <wsdl:input
wsam:Action="http://www.microsoft.com/performancepoint/scorecards/IBIMonitoringServiceApplica
tion/UpdateSettingValue"
message="tns:IBIMonitoringServiceApplication_UpdateSettingValue_InputMessage" />
    <wsdl:output
wsam:Action="http://www.microsoft.com/performancepoint/scorecards/IBIMonitoringServiceApplica
tion/UpdateSettingValueResponse"
message="tns:IBIMonitoringServiceApplication_UpdateSettingValue_OutputMessage" />
    <wsdl:fault
wsam:Action="http://www.microsoft.com/performancepoint/scorecards/IBIMonitoringServiceApplica
tion/UpdateSettingValueBpmExceptionFault" name="BpmExceptionFault"
message="tns:IBIMonitoringServiceApplication_UpdateSettingValue_BpmExceptionFault_FaultMessag
e" />
    </wsdl:operation>
    <wsdl:operation name="GetAnnotationSetting">
    <wsdl:input
wsam:Action="http://www.microsoft.com/performancepoint/scorecards/IBIMonitoringServiceApplica
tion/GetAnnotationSetting"
message="tns:IBIMonitoringServiceApplication_GetAnnotationSetting_InputMessage" />
    <wsdl:output
wsam:Action="http://www.microsoft.com/performancepoint/scorecards/IBIMonitoringServiceApplica

```



```

tion/GetAnnotationSettingResponse"
message="tns:IBIMonitoringServiceApplication GetAnnotationSetting OutputMessage" />
  <wsdl:fault
wsam:Action="http://www.microsoft.com/performancepoint/scorecards/IBIMonitoringServiceApplica
tion/GetAnnotationSettingBpmExceptionFault" name="BpmExceptionFault"
message="tns:IBIMonitoringServiceApplication_GetAnnotationSetting_BpmExceptionFault_FaultMess
age" />
  </wsdl:operation>
  <wsdl:operation name="GetDependentElements">
    <wsdl:input
wsam:Action="http://www.microsoft.com/performancepoint/scorecards/IBIMonitoringServiceApplica
tion/GetDependentElements"
message="tns:IBIMonitoringServiceApplication_GetDependentElements_InputMessage" />
    <wsdl:output
wsam:Action="http://www.microsoft.com/performancepoint/scorecards/IBIMonitoringServiceApplica
tion/GetDependentElementsResponse"
message="tns:IBIMonitoringServiceApplication_GetDependentElements_OutputMessage" />
    <wsdl:fault
wsam:Action="http://www.microsoft.com/performancepoint/scorecards/IBIMonitoringServiceApplica
tion/GetDependentElementsBpmExceptionFault" name="BpmExceptionFault"
message="tns:IBIMonitoringServiceApplication_GetDependentElements_BpmExceptionFault_FaultMess
age" />
    </wsdl:operation>
  <wsdl:operation name="GetTreeMembersDataTable">
    <wsdl:input
wsam:Action="http://www.microsoft.com/performancepoint/scorecards/IBIMonitoringServiceApplica
tion/GetTreeMembersDataTable"
message="tns:IBIMonitoringServiceApplication_GetTreeMembersDataTable_InputMessage" />
    <wsdl:output
wsam:Action="http://www.microsoft.com/performancepoint/scorecards/IBIMonitoringServiceApplica
tion/GetTreeMembersDataTableResponse"
message="tns:IBIMonitoringServiceApplication_GetTreeMembersDataTable_OutputMessage" />
    </wsdl:operation>
  <wsdl:operation name="RenderTreeMemberSelector">
    <wsdl:input
wsam:Action="http://www.microsoft.com/performancepoint/scorecards/IBIMonitoringServiceApplica
tion/RenderTreeMemberSelector"
message="tns:IBIMonitoringServiceApplication_RenderTreeMemberSelector_InputMessage" />
    <wsdl:output
wsam:Action="http://www.microsoft.com/performancepoint/scorecards/IBIMonitoringServiceApplica
tion/RenderTreeMemberSelectorResponse"
message="tns:IBIMonitoringServiceApplication_RenderTreeMemberSelector_OutputMessage" />
    </wsdl:operation>
  <wsdl:operation name="GetListItems">
    <wsdl:input
wsam:Action="http://www.microsoft.com/performancepoint/scorecards/IBIMonitoringServiceApplica
tion/GetListItems" message="tns:IBIMonitoringServiceApplication_GetListItems_InputMessage" />
    <wsdl:output
wsam:Action="http://www.microsoft.com/performancepoint/scorecards/IBIMonitoringServiceApplica
tion/GetListItemsResponse"
message="tns:IBIMonitoringServiceApplication_GetListItems_OutputMessage" />
    <wsdl:fault
wsam:Action="http://www.microsoft.com/performancepoint/scorecards/IBIMonitoringServiceApplica
tion/GetListItemsBpmExceptionFault" name="BpmExceptionFault"
message="tns:IBIMonitoringServiceApplication_GetListItems_BpmExceptionFault_FaultMessage" />
    </wsdl:operation>
  <wsdl:operation name="QueryTimeIntelligence">
    <wsdl:input
wsam:Action="http://www.microsoft.com/performancepoint/scorecards/IBIMonitoringServiceApplica
tion/QueryTimeIntelligence"
message="tns:IBIMonitoringServiceApplication_QueryTimeIntelligence_InputMessage" />
    <wsdl:output
wsam:Action="http://www.microsoft.com/performancepoint/scorecards/IBIMonitoringServiceApplica
tion/QueryTimeIntelligenceResponse"
message="tns:IBIMonitoringServiceApplication_QueryTimeIntelligence_OutputMessage" />
    <wsdl:fault
wsam:Action="http://www.microsoft.com/performancepoint/scorecards/IBIMonitoringServiceApplica
tion/QueryTimeIntelligenceBpmExceptionFault" name="BpmExceptionFault"
message="tns:IBIMonitoringServiceApplication_QueryTimeIntelligence BpmExceptionFault FaultMes
sage" />

```

```

    </wsdl:operation>
    <wsdl:operation name="QueryTimeIntelligenceDirect">
      <wsdl:input
wsam:Action="http://www.microsoft.com/performancepoint/scorecards/IBIMonitoringServiceApplication/QueryTimeIntelligenceDirect"
message="tns:IBIMonitoringServiceApplication QueryTimeIntelligenceDirect InputMessage" />
      <wsdl:output
wsam:Action="http://www.microsoft.com/performancepoint/scorecards/IBIMonitoringServiceApplication/QueryTimeIntelligenceDirectResponse"
message="tns:IBIMonitoringServiceApplication_QueryTimeIntelligenceDirect_OutputMessage" />
      <wsdl:fault
wsam:Action="http://www.microsoft.com/performancepoint/scorecards/IBIMonitoringServiceApplication/QueryTimeIntelligenceDirectBpmExceptionFault" name="BpmExceptionFault"
message="tns:IBIMonitoringServiceApplication_QueryTimeIntelligenceDirect_BpmExceptionFault_FaultMessage" />
    </wsdl:operation>
    <wsdl:operation name="GetRegisteredCustomFCOs">
      <wsdl:input
wsam:Action="http://www.microsoft.com/performancepoint/scorecards/IBIMonitoringServiceApplication/GetRegisteredCustomFCOs"
message="tns:IBIMonitoringServiceApplication_GetRegisteredCustomFCOs_InputMessage" />
      <wsdl:output
wsam:Action="http://www.microsoft.com/performancepoint/scorecards/IBIMonitoringServiceApplication/GetRegisteredCustomFCOsResponse"
message="tns:IBIMonitoringServiceApplication_GetRegisteredCustomFCOs_OutputMessage" />
      <wsdl:fault
wsam:Action="http://www.microsoft.com/performancepoint/scorecards/IBIMonitoringServiceApplication/GetRegisteredCustomFCOsBpmExceptionFault" name="BpmExceptionFault"
message="tns:IBIMonitoringServiceApplication GetRegisteredCustomFCOs BpmExceptionFault FaultMessage" />
    </wsdl:operation>
    <wsdl:operation name="CreateReportHtml">
      <wsdl:input
wsam:Action="http://www.microsoft.com/performancepoint/scorecards/IBIMonitoringServiceApplication/CreateReportHtml"
message="tns:IBIMonitoringServiceApplication CreateReportHtml InputMessage" />
      <wsdl:output
wsam:Action="http://www.microsoft.com/performancepoint/scorecards/IBIMonitoringServiceApplication/CreateReportHtmlResponse"
message="tns:IBIMonitoringServiceApplication CreateReportHtml OutputMessage" />
      <wsdl:fault
wsam:Action="http://www.microsoft.com/performancepoint/scorecards/IBIMonitoringServiceApplication/CreateReportHtmlBpmExceptionFault" name="BpmExceptionFault"
message="tns:IBIMonitoringServiceApplication_CreateReportHtml_BpmExceptionFault_FaultMessage" />
    </wsdl:operation>
    <wsdl:operation name="CreateNavigationMetadata">
      <wsdl:input
wsam:Action="http://www.microsoft.com/performancepoint/scorecards/IBIMonitoringServiceApplication/CreateNavigationMetadata"
message="tns:IBIMonitoringServiceApplication_CreateNavigationMetadata_InputMessage" />
      <wsdl:output
wsam:Action="http://www.microsoft.com/performancepoint/scorecards/IBIMonitoringServiceApplication/CreateNavigationMetadataResponse"
message="tns:IBIMonitoringServiceApplication_CreateNavigationMetadata_OutputMessage" />
      <wsdl:fault
wsam:Action="http://www.microsoft.com/performancepoint/scorecards/IBIMonitoringServiceApplication/CreateNavigationMetadataBpmExceptionFault" name="BpmExceptionFault"
message="tns:IBIMonitoringServiceApplication CreateNavigationMetadata BpmExceptionFault FaultMessage" />
    </wsdl:operation>
    <wsdl:operation name="GetFilterDependencies">
      <wsdl:input
wsam:Action="http://www.microsoft.com/performancepoint/scorecards/IBIMonitoringServiceApplication/GetFilterDependencies"
message="tns:IBIMonitoringServiceApplication_GetFilterDependencies_InputMessage" />
      <wsdl:output
wsam:Action="http://www.microsoft.com/performancepoint/scorecards/IBIMonitoringServiceApplication

```

```

tion/GetFilterDependenciesResponse"
message="tns:IBIMonitoringServiceApplication GetFilterDependencies OutputMessage" />
  <wsdl:fault
wsam:Action="http://www.microsoft.com/performancepoint/scorecards/IBIMonitoringServiceApplica
tion/GetFilterDependenciesBpmExceptionFault" name="BpmExceptionFault"
message="tns:IBIMonitoringServiceApplication_GetFilterDependencies_BpmExceptionFault_FaultMes
sage" />
  </wsdl:operation>
  <wsdl:operation name="RenderFilter">
    <wsdl:input
wsam:Action="http://www.microsoft.com/performancepoint/scorecards/IBIMonitoringServiceApplica
tion/RenderFilter" message="tns:IBIMonitoringServiceApplication_RenderFilter_InputMessage" />
    <wsdl:output
wsam:Action="http://www.microsoft.com/performancepoint/scorecards/IBIMonitoringServiceApplica
tion/RenderFilterResponse"
message="tns:IBIMonitoringServiceApplication RenderFilter OutputMessage" />
    <wsdl:fault
wsam:Action="http://www.microsoft.com/performancepoint/scorecards/IBIMonitoringServiceApplica
tion/RenderFilterBpmExceptionFault" name="BpmExceptionFault"
message="tns:IBIMonitoringServiceApplication_RenderFilter_BpmExceptionFault_FaultMessage" />
    </wsdl:operation>
    <wsdl:operation name="GetReportDependencies">
      <wsdl:input
wsam:Action="http://www.microsoft.com/performancepoint/scorecards/IBIMonitoringServiceApplica
tion/GetReportDependencies"
message="tns:IBIMonitoringServiceApplication_GetReportDependencies_InputMessage" />
      <wsdl:output
wsam:Action="http://www.microsoft.com/performancepoint/scorecards/IBIMonitoringServiceApplica
tion/GetReportDependenciesResponse"
message="tns:IBIMonitoringServiceApplication_GetReportDependencies_OutputMessage" />
      <wsdl:fault
wsam:Action="http://www.microsoft.com/performancepoint/scorecards/IBIMonitoringServiceApplica
tion/GetReportDependenciesBpmExceptionFault" name="BpmExceptionFault"
message="tns:IBIMonitoringServiceApplication_GetReportDependencies_BpmExceptionFault_FaultMes
sage" />
      </wsdl:operation>
      <wsdl:operation name="ReportSupportsExportFormat">
        <wsdl:input
wsam:Action="http://www.microsoft.com/performancepoint/scorecards/IBIMonitoringServiceApplica
tion/ReportSupportsExportFormat"
message="tns:IBIMonitoringServiceApplication_ReportSupportsExportFormat_InputMessage" />
        <wsdl:output
wsam:Action="http://www.microsoft.com/performancepoint/scorecards/IBIMonitoringServiceApplica
tion/ReportSupportsExportFormatResponse"
message="tns:IBIMonitoringServiceApplication_ReportSupportsExportFormat OutputMessage" />
        <wsdl:fault
wsam:Action="http://www.microsoft.com/performancepoint/scorecards/IBIMonitoringServiceApplica
tion/ReportSupportsExportFormatBpmExceptionFault" name="BpmExceptionFault"
message="tns:IBIMonitoringServiceApplication_ReportSupportsExportFormat_BpmExceptionFault_Fau
ltMessage" />
        </wsdl:operation>
        <wsdl:operation name="ExportReport">
          <wsdl:input
wsam:Action="http://www.microsoft.com/performancepoint/scorecards/IBIMonitoringServiceApplica
tion/ExportReport" message="tns:IBIMonitoringServiceApplication_ExportReport_InputMessage" />
          <wsdl:output
wsam:Action="http://www.microsoft.com/performancepoint/scorecards/IBIMonitoringServiceApplica
tion/ExportReportResponse"
message="tns:IBIMonitoringServiceApplication_ExportReport_OutputMessage" />
          <wsdl:fault
wsam:Action="http://www.microsoft.com/performancepoint/scorecards/IBIMonitoringServiceApplica
tion/ExportReportBpmExceptionFault" name="BpmExceptionFault"
message="tns:IBIMonitoringServiceApplication_ExportReport_BpmExceptionFault_FaultMessage" />
          </wsdl:operation>
          <wsdl:operation name="ScorecardSupportsExportFormat">
            <wsdl:input
wsam:Action="http://www.microsoft.com/performancepoint/scorecards/IBIMonitoringServiceApplica
tion/ScorecardSupportsExportFormat"
message="tns:IBIMonitoringServiceApplication_ScorecardSupportsExportFormat_InputMessage" />

```

```

    <wsdl:output
wsam:Action="http://www.microsoft.com/performancepoint/scorecards/IBIMonitoringServiceApplica
tion/ScorecardSupportsExportFormatResponse"
message="tns:IBIMonitoringServiceApplication_ScorecardSupportsExportFormat_OutputMessage" />
    <wsdl:fault
wsam:Action="http://www.microsoft.com/performancepoint/scorecards/IBIMonitoringServiceApplica
tion/ScorecardSupportsExportFormatBpmExceptionFault" name="BpmExceptionFault"
message="tns:IBIMonitoringServiceApplication_ScorecardSupportsExportFormat_BpmExceptionFault_
FaultMessage" />
    </wsdl:operation>
    <wsdl:operation name="ExportScorecard">
    <wsdl:input
wsam:Action="http://www.microsoft.com/performancepoint/scorecards/IBIMonitoringServiceApplica
tion/ExportScorecard"
message="tns:IBIMonitoringServiceApplication_ExportScorecard_InputMessage" />
    <wsdl:output
wsam:Action="http://www.microsoft.com/performancepoint/scorecards/IBIMonitoringServiceApplica
tion/ExportScorecardResponse"
message="tns:IBIMonitoringServiceApplication_ExportScorecard_OutputMessage" />
    <wsdl:fault
wsam:Action="http://www.microsoft.com/performancepoint/scorecards/IBIMonitoringServiceApplica
tion/ExportScorecardBpmExceptionFault" name="BpmExceptionFault"
message="tns:IBIMonitoringServiceApplication_ExportScorecard_BpmExceptionFault_FaultMessage"
/>
    </wsdl:operation>
    <wsdl:operation name="RenderReport">
    <wsdl:input
wsam:Action="http://www.microsoft.com/performancepoint/scorecards/IBIMonitoringServiceApplica
tion/RenderReport" message="tns:IBIMonitoringServiceApplication_RenderReport_InputMessage" />
    <wsdl:output
wsam:Action="http://www.microsoft.com/performancepoint/scorecards/IBIMonitoringServiceApplica
tion/RenderReportResponse"
message="tns:IBIMonitoringServiceApplication_RenderReport_OutputMessage" />
    <wsdl:fault
wsam:Action="http://www.microsoft.com/performancepoint/scorecards/IBIMonitoringServiceApplica
tion/RenderReportBpmExceptionFault" name="BpmExceptionFault"
message="tns:IBIMonitoringServiceApplication_RenderReport_BpmExceptionFault_FaultMessage" />
    </wsdl:operation>
    <wsdl:operation name="GetScorecardDependencies">
    <wsdl:input
wsam:Action="http://www.microsoft.com/performancepoint/scorecards/IBIMonitoringServiceApplica
tion/GetScorecardDependencies"
message="tns:IBIMonitoringServiceApplication_GetScorecardDependencies_InputMessage" />
    <wsdl:output
wsam:Action="http://www.microsoft.com/performancepoint/scorecards/IBIMonitoringServiceApplica
tion/GetScorecardDependenciesResponse"
message="tns:IBIMonitoringServiceApplication_GetScorecardDependencies_OutputMessage" />
    <wsdl:fault
wsam:Action="http://www.microsoft.com/performancepoint/scorecards/IBIMonitoringServiceApplica
tion/GetScorecardDependenciesBpmExceptionFault" name="BpmExceptionFault"
message="tns:IBIMonitoringServiceApplication_GetScorecardDependencies_BpmExceptionFault_Fault
Message" />
    </wsdl:operation>
    <wsdl:operation name="RenderScorecard">
    <wsdl:input
wsam:Action="http://www.microsoft.com/performancepoint/scorecards/IBIMonitoringServiceApplica
tion/RenderScorecard"
message="tns:IBIMonitoringServiceApplication_RenderScorecard_InputMessage" />
    <wsdl:output
wsam:Action="http://www.microsoft.com/performancepoint/scorecards/IBIMonitoringServiceApplica
tion/RenderScorecardResponse"
message="tns:IBIMonitoringServiceApplication_RenderScorecard_OutputMessage" />
    <wsdl:fault
wsam:Action="http://www.microsoft.com/performancepoint/scorecards/IBIMonitoringServiceApplica
tion/RenderScorecardBpmExceptionFault" name="BpmExceptionFault"
message="tns:IBIMonitoringServiceApplication_RenderScorecard_BpmExceptionFault_FaultMessage"
/>
    </wsdl:operation>
    <wsdl:operation name="RenderScorecardAjaxControl">

```

```

    <wsdl:input
wsam:Action="http://www.microsoft.com/performancepoint/scorecards/IBIMonitoringServiceApplica
tion/RenderScorecardAjaxControl"
message="tns:IBIMonitoringServiceApplication_RenderScorecardAjaxControl_InputMessage" />
    <wsdl:output
wsam:Action="http://www.microsoft.com/performancepoint/scorecards/IBIMonitoringServiceApplica
tion/RenderScorecardAjaxControlResponse"
message="tns:IBIMonitoringServiceApplication_RenderScorecardAjaxControl_OutputMessage" />
    <wsdl:fault
wsam:Action="http://www.microsoft.com/performancepoint/scorecards/IBIMonitoringServiceApplica
tion/RenderScorecardAjaxControlBpmExceptionFault" name="BpmExceptionFault"
message="tns:IBIMonitoringServiceApplication_RenderScorecardAjaxControl_BpmExceptionFault_Fau
ltMessage" />
    </wsdl:operation>
    <wsdl:operation name="GetRenderControlPreview">
    <wsdl:input
wsam:Action="http://www.microsoft.com/performancepoint/scorecards/IBIMonitoringServiceApplica
tion/GetRenderControlPreview"
message="tns:IBIMonitoringServiceApplication_GetRenderControlPreview_InputMessage" />
    <wsdl:output
wsam:Action="http://www.microsoft.com/performancepoint/scorecards/IBIMonitoringServiceApplica
tion/GetRenderControlPreviewResponse"
message="tns:IBIMonitoringServiceApplication_GetRenderControlPreview_OutputMessage" />
    <wsdl:fault
wsam:Action="http://www.microsoft.com/performancepoint/scorecards/IBIMonitoringServiceApplica
tion/GetRenderControlPreviewBpmExceptionFault" name="BpmExceptionFault"
message="tns:IBIMonitoringServiceApplication_GetRenderControlPreview_BpmExceptionFault_FaultM
essage" />
    </wsdl:operation>
    <wsdl:operation name="GetDrillThroughPreview">
    <wsdl:input
wsam:Action="http://www.microsoft.com/performancepoint/scorecards/IBIMonitoringServiceApplica
tion/GetDrillThroughPreview"
message="tns:IBIMonitoringServiceApplication_GetDrillThroughPreview_InputMessage" />
    <wsdl:output
wsam:Action="http://www.microsoft.com/performancepoint/scorecards/IBIMonitoringServiceApplica
tion/GetDrillThroughPreviewResponse"
message="tns:IBIMonitoringServiceApplication_GetDrillThroughPreview_OutputMessage" />
    <wsdl:fault
wsam:Action="http://www.microsoft.com/performancepoint/scorecards/IBIMonitoringServiceApplica
tion/GetDrillThroughPreviewBpmExceptionFault" name="BpmExceptionFault"
message="tns:IBIMonitoringServiceApplication_GetDrillThroughPreview_BpmExceptionFault_FaultMe
ssage" />
    </wsdl:operation>
    <wsdl:operation name="DecompStartAnalyze">
    <wsdl:input
wsam:Action="http://www.microsoft.com/performancepoint/scorecards/IBIMonitoringServiceApplica
tion/DecompStartAnalyze"
message="tns:IBIMonitoringServiceApplication_DecompStartAnalyze_InputMessage" />
    <wsdl:output
wsam:Action="http://www.microsoft.com/performancepoint/scorecards/IBIMonitoringServiceApplica
tion/DecompStartAnalyzeResponse"
message="tns:IBIMonitoringServiceApplication_DecompStartAnalyze_OutputMessage" />
    <wsdl:fault
wsam:Action="http://www.microsoft.com/performancepoint/scorecards/IBIMonitoringServiceApplica
tion/DecompStartAnalyzeBpmExceptionFault" name="BpmExceptionFault"
message="tns:IBIMonitoringServiceApplication_DecompStartAnalyze_BpmExceptionFault_FaultMessag
e" />
    </wsdl:operation>
    <wsdl:operation name="DecompAutoExpand">
    <wsdl:input
wsam:Action="http://www.microsoft.com/performancepoint/scorecards/IBIMonitoringServiceApplica
tion/DecompAutoExpand"
message="tns:IBIMonitoringServiceApplication_DecompAutoExpand_InputMessage" />
    <wsdl:output
wsam:Action="http://www.microsoft.com/performancepoint/scorecards/IBIMonitoringServiceApplica
tion/DecompAutoExpandResponse"
message="tns:IBIMonitoringServiceApplication_DecompAutoExpand_OutputMessage" />

```

```

        <wsdl:fault
wsam:Action="http://www.microsoft.com/performancepoint/scorecards/IBIMonitoringServiceApplica
tion/DecompAutoExpandBpmExceptionFault" name="BpmExceptionFault"
message="tns:IBIMonitoringServiceApplication_DecompAutoExpand_BpmExceptionFault_FaultMessage"
/>
    </wsdl:operation>
    <wsdl:operation name="DecompCreateNavigationList">
        <wsdl:input
wsam:Action="http://www.microsoft.com/performancepoint/scorecards/IBIMonitoringServiceApplica
tion/DecompCreateNavigationList"
message="tns:IBIMonitoringServiceApplication_DecompCreateNavigationList_InputMessage" />
        <wsdl:output
wsam:Action="http://www.microsoft.com/performancepoint/scorecards/IBIMonitoringServiceApplica
tion/DecompCreateNavigationListResponse"
message="tns:IBIMonitoringServiceApplication_DecompCreateNavigationList_OutputMessage" />
        <wsdl:fault
wsam:Action="http://www.microsoft.com/performancepoint/scorecards/IBIMonitoringServiceApplica
tion/DecompCreateNavigationListBpmExceptionFault" name="BpmExceptionFault"
message="tns:IBIMonitoringServiceApplication_DecompCreateNavigationList_BpmExceptionFault_Fau
ltMessage" />
        </wsdl:operation>
    <wsdl:operation name="DecompGetMemberProperties">
        <wsdl:input
wsam:Action="http://www.microsoft.com/performancepoint/scorecards/IBIMonitoringServiceApplica
tion/DecompGetMemberProperties"
message="tns:IBIMonitoringServiceApplication_DecompGetMemberProperties_InputMessage" />
        <wsdl:output
wsam:Action="http://www.microsoft.com/performancepoint/scorecards/IBIMonitoringServiceApplica
tion/DecompGetMemberPropertiesResponse"
message="tns:IBIMonitoringServiceApplication_DecompGetMemberProperties_OutputMessage" />
        <wsdl:fault
wsam:Action="http://www.microsoft.com/performancepoint/scorecards/IBIMonitoringServiceApplica
tion/DecompGetMemberPropertiesBpmExceptionFault" name="BpmExceptionFault"
message="tns:IBIMonitoringServiceApplication_DecompGetMemberProperties_BpmExceptionFault_Faul
tMessage" />
        </wsdl:operation>
    <wsdl:operation name="DecompExpand">
        <wsdl:input
wsam:Action="http://www.microsoft.com/performancepoint/scorecards/IBIMonitoringServiceApplica
tion/DecompExpand" message="tns:IBIMonitoringServiceApplication_DecompExpand_InputMessage" />
        <wsdl:output
wsam:Action="http://www.microsoft.com/performancepoint/scorecards/IBIMonitoringServiceApplica
tion/DecompExpandResponse"
message="tns:IBIMonitoringServiceApplication_DecompExpand_OutputMessage" />
        <wsdl:fault
wsam:Action="http://www.microsoft.com/performancepoint/scorecards/IBIMonitoringServiceApplica
tion/DecompExpandBpmExceptionFault" name="BpmExceptionFault"
message="tns:IBIMonitoringServiceApplication_DecompExpand_BpmExceptionFault_FaultMessage" />
        </wsdl:operation>
    <wsdl:operation name="GetReportViewImageData">
        <wsdl:input
wsam:Action="http://www.microsoft.com/performancepoint/scorecards/IBIMonitoringServiceApplica
tion/GetReportViewImageData"
message="tns:IBIMonitoringServiceApplication_GetReportViewImageData_InputMessage" />
        <wsdl:output
wsam:Action="http://www.microsoft.com/performancepoint/scorecards/IBIMonitoringServiceApplica
tion/GetReportViewImageDataResponse"
message="tns:IBIMonitoringServiceApplication_GetReportViewImageData_OutputMessage" />
        <wsdl:fault
wsam:Action="http://www.microsoft.com/performancepoint/scorecards/IBIMonitoringServiceApplica
tion/GetReportViewImageDataBpmExceptionFault" name="BpmExceptionFault"
message="tns:IBIMonitoringServiceApplication_GetReportViewImageData_BpmExceptionFault_FaultMe
ssage" />
        </wsdl:operation>
    <wsdl:operation name="GetAnnotation">
        <wsdl:input
wsam:Action="http://www.microsoft.com/performancepoint/scorecards/IBIMonitoringServiceApplica
tion/GetAnnotation" message="tns:IBIMonitoringServiceApplication_GetAnnotation_InputMessage"
/>

```

```

    <wsdl:output
wsam:Action="http://www.microsoft.com/performancepoint/scorecards/IBIMonitoringServiceApplica
tion/GetAnnotationResponse"
message="tns:IBIMonitoringServiceApplication_GetAnnotation_OutputMessage" />
    <wsdl:fault
wsam:Action="http://www.microsoft.com/performancepoint/scorecards/IBIMonitoringServiceApplica
tion/GetAnnotationBpmExceptionFault" name="BpmExceptionFault"
message="tns:IBIMonitoringServiceApplication_GetAnnotation_BpmExceptionFault_FaultMessage" />
    </wsdl:operation>
    <wsdl:operation name="GetAnnotationByID">
    <wsdl:input
wsam:Action="http://www.microsoft.com/performancepoint/scorecards/IBIMonitoringServiceApplica
tion/GetAnnotationByID"
message="tns:IBIMonitoringServiceApplication_GetAnnotationByID_InputMessage" />
    <wsdl:output
wsam:Action="http://www.microsoft.com/performancepoint/scorecards/IBIMonitoringServiceApplica
tion/GetAnnotationByIDResponse"
message="tns:IBIMonitoringServiceApplication_GetAnnotationByID_OutputMessage" />
    <wsdl:fault
wsam:Action="http://www.microsoft.com/performancepoint/scorecards/IBIMonitoringServiceApplica
tion/GetAnnotationByIDBpmExceptionFault" name="BpmExceptionFault"
message="tns:IBIMonitoringServiceApplication_GetAnnotationByID_BpmExceptionFault_FaultMessage
" />
    </wsdl:operation>
    <wsdl:operation name="GetAllAnnotationsByScorecardLocation">
    <wsdl:input
wsam:Action="http://www.microsoft.com/performancepoint/scorecards/IBIMonitoringServiceApplica
tion/GetAllAnnotationsByScorecardLocation"
message="tns:IBIMonitoringServiceApplication_GetAllAnnotationsByScorecardLocation_InputMessag
e" />
    <wsdl:output
wsam:Action="http://www.microsoft.com/performancepoint/scorecards/IBIMonitoringServiceApplica
tion/GetAllAnnotationsByScorecardLocationResponse"
message="tns:IBIMonitoringServiceApplication_GetAllAnnotationsByScorecardLocation_OutputMessa
ge" />
    <wsdl:fault
wsam:Action="http://www.microsoft.com/performancepoint/scorecards/IBIMonitoringServiceApplica
tion/GetAllAnnotationsByScorecardLocationBpmExceptionFault" name="BpmExceptionFault"
message="tns:IBIMonitoringServiceApplication_GetAllAnnotationsByScorecardLocation_BpmExceptio
nFault_FaultMessage" />
    </wsdl:operation>
    <wsdl:operation name="CreateAnnotation">
    <wsdl:input
wsam:Action="http://www.microsoft.com/performancepoint/scorecards/IBIMonitoringServiceApplica
tion/CreateAnnotation"
message="tns:IBIMonitoringServiceApplication_CreateAnnotation_InputMessage" />
    <wsdl:output
wsam:Action="http://www.microsoft.com/performancepoint/scorecards/IBIMonitoringServiceApplica
tion/CreateAnnotationResponse"
message="tns:IBIMonitoringServiceApplication_CreateAnnotation_OutputMessage" />
    <wsdl:fault
wsam:Action="http://www.microsoft.com/performancepoint/scorecards/IBIMonitoringServiceApplica
tion/CreateAnnotationBpmExceptionFault" name="BpmExceptionFault"
message="tns:IBIMonitoringServiceApplication_CreateAnnotation_BpmExceptionFault_FaultMessage"
/>
    </wsdl:operation>
    <wsdl:operation name="UpdateAnnotation">
    <wsdl:input
wsam:Action="http://www.microsoft.com/performancepoint/scorecards/IBIMonitoringServiceApplica
tion/UpdateAnnotation"
message="tns:IBIMonitoringServiceApplication_UpdateAnnotation_InputMessage" />
    <wsdl:output
wsam:Action="http://www.microsoft.com/performancepoint/scorecards/IBIMonitoringServiceApplica
tion/UpdateAnnotationResponse"
message="tns:IBIMonitoringServiceApplication_UpdateAnnotation_OutputMessage" />
    <wsdl:fault
wsam:Action="http://www.microsoft.com/performancepoint/scorecards/IBIMonitoringServiceApplica
tion/UpdateAnnotationBpmExceptionFault" name="BpmExceptionFault"

```

```

message="tns:IBIMonitoringServiceApplication_UpdateAnnotation_BpmExceptionFault_FaultMessage"
/>
  </wsdl:operation>
  <wsdl:operation name="DeleteAnnotation">
    <wsdl:input
wsam:Action="http://www.microsoft.com/performancepoint/scorecards/IBIMonitoringServiceApplica
tion/DeleteAnnotation"
message="tns:IBIMonitoringServiceApplication_DeleteAnnotation_InputMessage" />
      <wsdl:output
wsam:Action="http://www.microsoft.com/performancepoint/scorecards/IBIMonitoringServiceApplica
tion/DeleteAnnotationResponse"
message="tns:IBIMonitoringServiceApplication_DeleteAnnotation_OutputMessage" />
      <wsdl:fault
wsam:Action="http://www.microsoft.com/performancepoint/scorecards/IBIMonitoringServiceApplica
tion/DeleteAnnotationBpmExceptionFault" name="BpmExceptionFault"
message="tns:IBIMonitoringServiceApplication_DeleteAnnotation_BpmExceptionFault_FaultMessage"
/>
    </wsdl:operation>
    <wsdl:operation name="TrimAnnotationByScorecardLocation">
      <wsdl:input
wsam:Action="http://www.microsoft.com/performancepoint/scorecards/IBIMonitoringServiceApplica
tion/TrimAnnotationByScorecardLocation"
message="tns:IBIMonitoringServiceApplication_TrimAnnotationByScorecardLocation_InputMessage"
/>
        <wsdl:output
wsam:Action="http://www.microsoft.com/performancepoint/scorecards/IBIMonitoringServiceApplica
tion/TrimAnnotationByScorecardLocationResponse"
message="tns:IBIMonitoringServiceApplication_TrimAnnotationByScorecardLocation_OutputMessage"
/>
        <wsdl:fault
wsam:Action="http://www.microsoft.com/performancepoint/scorecards/IBIMonitoringServiceApplica
tion/TrimAnnotationByScorecardLocationBpmExceptionFault" name="BpmExceptionFault"
message="tns:IBIMonitoringServiceApplication_TrimAnnotationByScorecardLocation_BpmExceptionFa
ult_FaultMessage" />
      </wsdl:operation>
      <wsdl:operation name="TrimAnnotationByOwner">
        <wsdl:input
wsam:Action="http://www.microsoft.com/performancepoint/scorecards/IBIMonitoringServiceApplica
tion/TrimAnnotationByOwner"
message="tns:IBIMonitoringServiceApplication_TrimAnnotationByOwner_InputMessage" />
          <wsdl:output
wsam:Action="http://www.microsoft.com/performancepoint/scorecards/IBIMonitoringServiceApplica
tion/TrimAnnotationByOwnerResponse"
message="tns:IBIMonitoringServiceApplication_TrimAnnotationByOwner_OutputMessage" />
          <wsdl:fault
wsam:Action="http://www.microsoft.com/performancepoint/scorecards/IBIMonitoringServiceApplica
tion/TrimAnnotationByOwnerBpmExceptionFault" name="BpmExceptionFault"
message="tns:IBIMonitoringServiceApplication_TrimAnnotationByOwner_BpmExceptionFault_FaultMes
sage" />
        </wsdl:operation>
        <wsdl:operation name="TrimAnnotationUntouchedSince">
          <wsdl:input
wsam:Action="http://www.microsoft.com/performancepoint/scorecards/IBIMonitoringServiceApplica
tion/TrimAnnotationUntouchedSince"
message="tns:IBIMonitoringServiceApplication_TrimAnnotationUntouchedSince_InputMessage" />
            <wsdl:output
wsam:Action="http://www.microsoft.com/performancepoint/scorecards/IBIMonitoringServiceApplica
tion/TrimAnnotationUntouchedSinceResponse"
message="tns:IBIMonitoringServiceApplication_TrimAnnotationUntouchedSince_OutputMessage" />
            <wsdl:fault
wsam:Action="http://www.microsoft.com/performancepoint/scorecards/IBIMonitoringServiceApplica
tion/TrimAnnotationUntouchedSinceBpmExceptionFault" name="BpmExceptionFault"
message="tns:IBIMonitoringServiceApplication_TrimAnnotationUntouchedSince_BpmExceptionFault_F
aultMessage" />
          </wsdl:operation>
          <wsdl:operation name="CreateDataSource">
            <wsdl:input
wsam:Action="http://www.microsoft.com/performancepoint/scorecards/IBIMonitoringServiceApplica
tion/CreateDataSource"
message="tns:IBIMonitoringServiceApplication_CreateDataSource_InputMessage" />

```



```

    <wsdl:output
wsam:Action="http://www.microsoft.com/performancepoint/scorecards/IBIMonitoringServiceApplication/CreateDataSourceResponse"
message="tns:IBIMonitoringServiceApplication_CreateDataSource_OutputMessage" />
    <wsdl:fault
wsam:Action="http://www.microsoft.com/performancepoint/scorecards/IBIMonitoringServiceApplication/CreateDataSourceBpmExceptionFault" name="BpmExceptionFault"
message="tns:IBIMonitoringServiceApplication_CreateDataSource_BpmExceptionFault_FaultMessage"
/>
    </wsdl:operation>
    <wsdl:operation name="UpdateDataSource">
    <wsdl:input
wsam:Action="http://www.microsoft.com/performancepoint/scorecards/IBIMonitoringServiceApplication/UpdateDataSource"
message="tns:IBIMonitoringServiceApplication_UpdateDataSource_InputMessage" />
    <wsdl:output
wsam:Action="http://www.microsoft.com/performancepoint/scorecards/IBIMonitoringServiceApplication/UpdateDataSourceResponse"
message="tns:IBIMonitoringServiceApplication_UpdateDataSource_OutputMessage" />
    <wsdl:fault
wsam:Action="http://www.microsoft.com/performancepoint/scorecards/IBIMonitoringServiceApplication/UpdateDataSourceBpmExceptionFault" name="BpmExceptionFault"
message="tns:IBIMonitoringServiceApplication_UpdateDataSource_BpmExceptionFault_FaultMessage"
/>
    </wsdl:operation>
    <wsdl:operation name="GetDataSource">
    <wsdl:input
wsam:Action="http://www.microsoft.com/performancepoint/scorecards/IBIMonitoringServiceApplication/GetDataSource" message="tns:IBIMonitoringServiceApplication_GetDataSource_InputMessage"
/>
    <wsdl:output
wsam:Action="http://www.microsoft.com/performancepoint/scorecards/IBIMonitoringServiceApplication/GetDataSourceResponse"
message="tns:IBIMonitoringServiceApplication_GetDataSource_OutputMessage" />
    <wsdl:fault
wsam:Action="http://www.microsoft.com/performancepoint/scorecards/IBIMonitoringServiceApplication/GetDataSourceBpmExceptionFault" name="BpmExceptionFault"
message="tns:IBIMonitoringServiceApplication_GetDataSource_BpmExceptionFault_FaultMessage" />
    </wsdl:operation>
    <wsdl:operation name="GetMdx">
    <wsdl:input
wsam:Action="http://www.microsoft.com/performancepoint/scorecards/IBIMonitoringServiceApplication/GetMdx" message="tns:IBIMonitoringServiceApplication_GetMdx_InputMessage" />
    <wsdl:output
wsam:Action="http://www.microsoft.com/performancepoint/scorecards/IBIMonitoringServiceApplication/GetMdxResponse" message="tns:IBIMonitoringServiceApplication_GetMdx_OutputMessage" />
    <wsdl:fault
wsam:Action="http://www.microsoft.com/performancepoint/scorecards/IBIMonitoringServiceApplication/GetMdxBpmExceptionFault" name="BpmExceptionFault"
message="tns:IBIMonitoringServiceApplication_GetMdx_BpmExceptionFault_FaultMessage" />
    </wsdl:operation>
    <wsdl:operation name="SaveTemporaryAnalyticReport">
    <wsdl:input
wsam:Action="http://www.microsoft.com/performancepoint/scorecards/IBIMonitoringServiceApplication/SaveTemporaryAnalyticReport"
message="tns:IBIMonitoringServiceApplication_SaveTemporaryAnalyticReport_InputMessage" />
    <wsdl:output
wsam:Action="http://www.microsoft.com/performancepoint/scorecards/IBIMonitoringServiceApplication/SaveTemporaryAnalyticReportResponse"
message="tns:IBIMonitoringServiceApplication_SaveTemporaryAnalyticReport_OutputMessage" />
    <wsdl:fault
wsam:Action="http://www.microsoft.com/performancepoint/scorecards/IBIMonitoringServiceApplication/SaveTemporaryAnalyticReportBpmExceptionFault" name="BpmExceptionFault"
message="tns:IBIMonitoringServiceApplication_SaveTemporaryAnalyticReport_BpmExceptionFault_FaultMessage" />
    </wsdl:operation>
    <wsdl:operation name="SaveTemporaryStrategyMapReport">
    <wsdl:input
wsam:Action="http://www.microsoft.com/performancepoint/scorecards/IBIMonitoringServiceApplication

```

```

tion/SaveTemporaryStrategyMapReport"
message="tns:IBIMonitoringServiceApplication SaveTemporaryStrategyMapReport InputMessage" />
  <wsdl:output
wsam:Action="http://www.microsoft.com/performancepoint/scorecards/IBIMonitoringServiceApplica
tion/SaveTemporaryStrategyMapReportResponse"
message="tns:IBIMonitoringServiceApplication_SaveTemporaryStrategyMapReport_OutputMessage" />
  <wsdl:fault
wsam:Action="http://www.microsoft.com/performancepoint/scorecards/IBIMonitoringServiceApplica
tion/SaveTemporaryStrategyMapReportBpmExceptionFault" name="BpmExceptionFault"
message="tns:IBIMonitoringServiceApplication SaveTemporaryStrategyMapReport BpmExceptionFault
_FaultMessage" />
  </wsdl:operation>
  <wsdl:operation name="GetQueryResultMembers">
    <wsdl:input
wsam:Action="http://www.microsoft.com/performancepoint/scorecards/IBIMonitoringServiceApplica
tion/GetQueryResultMembers"
message="tns:IBIMonitoringServiceApplication_GetQueryResultMembers_InputMessage" />
    <wsdl:output
wsam:Action="http://www.microsoft.com/performancepoint/scorecards/IBIMonitoringServiceApplica
tion/GetQueryResultMembersResponse"
message="tns:IBIMonitoringServiceApplication_GetQueryResultMembers_OutputMessage" />
    <wsdl:fault
wsam:Action="http://www.microsoft.com/performancepoint/scorecards/IBIMonitoringServiceApplica
tion/GetQueryResultMembersBpmExceptionFault" name="BpmExceptionFault"
message="tns:IBIMonitoringServiceApplication GetQueryResultMembers BpmExceptionFault FaultMes
sage" />
    </wsdl:operation>
    <wsdl:operation name="GetDatabaseNamesFromDataSource">
      <wsdl:input
wsam:Action="http://www.microsoft.com/performancepoint/scorecards/IBIMonitoringServiceApplica
tion/GetDatabaseNamesFromDataSource"
message="tns:IBIMonitoringServiceApplication_GetDatabaseNamesFromDataSource_InputMessage" />
      <wsdl:output
wsam:Action="http://www.microsoft.com/performancepoint/scorecards/IBIMonitoringServiceApplica
tion/GetDatabaseNamesFromDataSourceResponse"
message="tns:IBIMonitoringServiceApplication_GetDatabaseNamesFromDataSource_OutputMessage" />
      <wsdl:fault
wsam:Action="http://www.microsoft.com/performancepoint/scorecards/IBIMonitoringServiceApplica
tion/GetDatabaseNamesFromDataSourceBpmExceptionFault" name="BpmExceptionFault"
message="tns:IBIMonitoringServiceApplication GetDatabaseNamesFromDataSource BpmExceptionFault
_FaultMessage" />
      </wsdl:operation>
      <wsdl:operation name="GetPreviewDataSet">
        <wsdl:input
wsam:Action="http://www.microsoft.com/performancepoint/scorecards/IBIMonitoringServiceApplica
tion/GetPreviewDataSet"
message="tns:IBIMonitoringServiceApplication_GetPreviewDataSet_InputMessage" />
        <wsdl:output
wsam:Action="http://www.microsoft.com/performancepoint/scorecards/IBIMonitoringServiceApplica
tion/GetPreviewDataSetResponse"
message="tns:IBIMonitoringServiceApplication_GetPreviewDataSet_OutputMessage" />
        <wsdl:fault
wsam:Action="http://www.microsoft.com/performancepoint/scorecards/IBIMonitoringServiceApplica
tion/GetPreviewDataSetBpmExceptionFault" name="BpmExceptionFault"
message="tns:IBIMonitoringServiceApplication_GetPreviewDataSet_BpmExceptionFault_FaultMessage
" />
        </wsdl:operation>
        <wsdl:operation name="GetCubeNameInfos">
          <wsdl:input
wsam:Action="http://www.microsoft.com/performancepoint/scorecards/IBIMonitoringServiceApplica
tion/GetCubeNameInfos"
message="tns:IBIMonitoringServiceApplication GetCubeNameInfos InputMessage" />
          <wsdl:output
wsam:Action="http://www.microsoft.com/performancepoint/scorecards/IBIMonitoringServiceApplica
tion/GetCubeNameInfosResponse"
message="tns:IBIMonitoringServiceApplication_GetCubeNameInfos_OutputMessage" />
          <wsdl:fault
wsam:Action="http://www.microsoft.com/performancepoint/scorecards/IBIMonitoringServiceApplica
tion/GetCubeNameInfosBpmExceptionFault" name="BpmExceptionFault"

```

```

message="tns:IBIMonitoringServiceApplication_GetCubeNameInfos_BpmExceptionFault_FaultMessage"
/>
  </wsdl:operation>
  <wsdl:operation name="GetCubeMetaData">
    <wsdl:input
wsam:Action="http://www.microsoft.com/performancepoint/scorecards/IBIMonitoringServiceApplica
tion/GetCubeMetaData"
message="tns:IBIMonitoringServiceApplication_GetCubeMetaData_InputMessage" />
    <wsdl:output
wsam:Action="http://www.microsoft.com/performancepoint/scorecards/IBIMonitoringServiceApplica
tion/GetCubeMetaDataResponse"
message="tns:IBIMonitoringServiceApplication_GetCubeMetaData_OutputMessage" />
    <wsdl:fault
wsam:Action="http://www.microsoft.com/performancepoint/scorecards/IBIMonitoringServiceApplica
tion/GetCubeMetaDataBpmExceptionFault" name="BpmExceptionFault"
message="tns:IBIMonitoringServiceApplication_GetCubeMetaData_BpmExceptionFault_FaultMessage"
/>
  </wsdl:operation>
  <wsdl:operation name="GetCubeMetaDataForDataSource">
    <wsdl:input
wsam:Action="http://www.microsoft.com/performancepoint/scorecards/IBIMonitoringServiceApplica
tion/GetCubeMetaDataForDataSource"
message="tns:IBIMonitoringServiceApplication_GetCubeMetaDataForDataSource_InputMessage" />
    <wsdl:output
wsam:Action="http://www.microsoft.com/performancepoint/scorecards/IBIMonitoringServiceApplica
tion/GetCubeMetaDataForDataSourceResponse"
message="tns:IBIMonitoringServiceApplication_GetCubeMetaDataForDataSource_OutputMessage" />
    <wsdl:fault
wsam:Action="http://www.microsoft.com/performancepoint/scorecards/IBIMonitoringServiceApplica
tion/GetCubeMetaDataForDataSourceBpmExceptionFault" name="BpmExceptionFault"
message="tns:IBIMonitoringServiceApplication_GetCubeMetaDataForDataSource_BpmExceptionFault_F
aultMessage" />
  </wsdl:operation>
  <wsdl:operation name="TestConnection">
    <wsdl:input
wsam:Action="http://www.microsoft.com/performancepoint/scorecards/IBIMonitoringServiceApplica
tion/TestConnection"
message="tns:IBIMonitoringServiceApplication_TestConnection_InputMessage" />
    <wsdl:output
wsam:Action="http://www.microsoft.com/performancepoint/scorecards/IBIMonitoringServiceApplica
tion/TestConnectionResponse"
message="tns:IBIMonitoringServiceApplication_TestConnection_OutputMessage" />
    <wsdl:fault
wsam:Action="http://www.microsoft.com/performancepoint/scorecards/IBIMonitoringServiceApplica
tion/TestConnectionBpmExceptionFault" name="BpmExceptionFault"
message="tns:IBIMonitoringServiceApplication_TestConnection_BpmExceptionFault_FaultMessage"
/>
  </wsdl:operation>
  <wsdl:operation name="GetDimensions">
    <wsdl:input
wsam:Action="http://www.microsoft.com/performancepoint/scorecards/IBIMonitoringServiceApplica
tion/GetDimensions" message="tns:IBIMonitoringServiceApplication_GetDimensions_InputMessage"
/>
    <wsdl:output
wsam:Action="http://www.microsoft.com/performancepoint/scorecards/IBIMonitoringServiceApplica
tion/GetDimensionsResponse"
message="tns:IBIMonitoringServiceApplication_GetDimensions_OutputMessage" />
    <wsdl:fault
wsam:Action="http://www.microsoft.com/performancepoint/scorecards/IBIMonitoringServiceApplica
tion/GetDimensionsBpmExceptionFault" name="BpmExceptionFault"
message="tns:IBIMonitoringServiceApplication_GetDimensions_BpmExceptionFault_FaultMessage" />
  </wsdl:operation>
  <wsdl:operation name="GetDimensionsFromDataSource">
    <wsdl:input
wsam:Action="http://www.microsoft.com/performancepoint/scorecards/IBIMonitoringServiceApplica
tion/GetDimensionsFromDataSource"
message="tns:IBIMonitoringServiceApplication_GetDimensionsFromDataSource_InputMessage" />
    <wsdl:output
wsam:Action="http://www.microsoft.com/performancepoint/scorecards/IBIMonitoringServiceApplica

```

```

tion/GetDimensionsFromDataSourceResponse"
message="tns:IBIMonitoringServiceApplication GetDimensionsFromDataSource OutputMessage" />
  <wsdl:fault
wsam:Action="http://www.microsoft.com/performancepoint/scorecards/IBIMonitoringServiceApplica
tion/GetDimensionsFromDataSourceBpmExceptionFault" name="BpmExceptionFault"
message="tns:IBIMonitoringServiceApplication_GetDimensionsFromDataSource_BpmExceptionFault_Fa
ultMessage" />
  </wsdl:operation>
  <wsdl:operation name="GetCube">
    <wsdl:input
wsam:Action="http://www.microsoft.com/performancepoint/scorecards/IBIMonitoringServiceApplica
tion/GetCube" message="tns:IBIMonitoringServiceApplication_GetCube_InputMessage" />
    <wsdl:output
wsam:Action="http://www.microsoft.com/performancepoint/scorecards/IBIMonitoringServiceApplica
tion/GetCubeResponse" message="tns:IBIMonitoringServiceApplication_GetCube_OutputMessage" />
    <wsdl:fault
wsam:Action="http://www.microsoft.com/performancepoint/scorecards/IBIMonitoringServiceApplica
tion/GetCubeBpmExceptionFault" name="BpmExceptionFault"
message="tns:IBIMonitoringServiceApplication_GetCube_BpmExceptionFault_FaultMessage" />
    </wsdl:operation>
  <wsdl:operation name="GetCubeFromDataSource">
    <wsdl:input
wsam:Action="http://www.microsoft.com/performancepoint/scorecards/IBIMonitoringServiceApplica
tion/GetCubeFromDataSource"
message="tns:IBIMonitoringServiceApplication GetCubeFromDataSource InputMessage" />
    <wsdl:output
wsam:Action="http://www.microsoft.com/performancepoint/scorecards/IBIMonitoringServiceApplica
tion/GetCubeFromDataSourceResponse"
message="tns:IBIMonitoringServiceApplication_GetCubeFromDataSource_OutputMessage" />
    <wsdl:fault
wsam:Action="http://www.microsoft.com/performancepoint/scorecards/IBIMonitoringServiceApplica
tion/GetCubeFromDataSourceBpmExceptionFault" name="BpmExceptionFault"
message="tns:IBIMonitoringServiceApplication GetCubeFromDataSource BpmExceptionFault FaultMes
sage" />
    </wsdl:operation>
  <wsdl:operation name="QueryDimensionRootMembers">
    <wsdl:input
wsam:Action="http://www.microsoft.com/performancepoint/scorecards/IBIMonitoringServiceApplica
tion/QueryDimensionRootMembers"
message="tns:IBIMonitoringServiceApplication QueryDimensionRootMembers InputMessage" />
    <wsdl:output
wsam:Action="http://www.microsoft.com/performancepoint/scorecards/IBIMonitoringServiceApplica
tion/QueryDimensionRootMembersResponse"
message="tns:IBIMonitoringServiceApplication_QueryDimensionRootMembers_OutputMessage" />
    <wsdl:fault
wsam:Action="http://www.microsoft.com/performancepoint/scorecards/IBIMonitoringServiceApplica
tion/QueryDimensionRootMembersBpmExceptionFault" name="BpmExceptionFault"
message="tns:IBIMonitoringServiceApplication_QueryDimensionRootMembers_BpmExceptionFault_Faul
tMessage" />
    </wsdl:operation>
  <wsdl:operation name="QueryDimensionRootMembersFromDataSource">
    <wsdl:input
wsam:Action="http://www.microsoft.com/performancepoint/scorecards/IBIMonitoringServiceApplica
tion/QueryDimensionRootMembersFromDataSource"
message="tns:IBIMonitoringServiceApplication_QueryDimensionRootMembersFromDataSource_InputMes
sage" />
    <wsdl:output
wsam:Action="http://www.microsoft.com/performancepoint/scorecards/IBIMonitoringServiceApplica
tion/QueryDimensionRootMembersFromDataSourceResponse"
message="tns:IBIMonitoringServiceApplication_QueryDimensionRootMembersFromDataSource_OutputMe
ssage" />
    <wsdl:fault
wsam:Action="http://www.microsoft.com/performancepoint/scorecards/IBIMonitoringServiceApplica
tion/QueryDimensionRootMembersFromDataSourceBpmExceptionFault" name="BpmExceptionFault"
message="tns:IBIMonitoringServiceApplication_QueryDimensionRootMembersFromDataSource_BpmExcep
tionFault_FaultMessage" />
    </wsdl:operation>
  <wsdl:operation name="QueryTransformMembers">
    <wsdl:input
wsam:Action="http://www.microsoft.com/performancepoint/scorecards/IBIMonitoringServiceApplica

```

```

tion/QueryTransformMembers"
message="tns:IBIMonitoringServiceApplication QueryTransformMembers InputMessage" />
  <wsdl:output
wsam:Action="http://www.microsoft.com/performancepoint/scorecards/IBIMonitoringServiceApplica
tion/QueryTransformMembersResponse"
message="tns:IBIMonitoringServiceApplication_QueryTransformMembers_OutputMessage" />
  <wsdl:fault
wsam:Action="http://www.microsoft.com/performancepoint/scorecards/IBIMonitoringServiceApplica
tion/QueryTransformMembersBpmExceptionFault" name="BpmExceptionFault"
message="tns:IBIMonitoringServiceApplication QueryTransformMembers BpmExceptionFault FaultMes
sage" />
  </wsdl:operation>
  <wsdl:operation name="QueryChildMembers">
    <wsdl:input
wsam:Action="http://www.microsoft.com/performancepoint/scorecards/IBIMonitoringServiceApplica
tion/QueryChildMembers"
message="tns:IBIMonitoringServiceApplication_QueryChildMembers_InputMessage" />
    <wsdl:output
wsam:Action="http://www.microsoft.com/performancepoint/scorecards/IBIMonitoringServiceApplica
tion/QueryChildMembersResponse"
message="tns:IBIMonitoringServiceApplication_QueryChildMembers_OutputMessage" />
    <wsdl:fault
wsam:Action="http://www.microsoft.com/performancepoint/scorecards/IBIMonitoringServiceApplica
tion/QueryChildMembersBpmExceptionFault" name="BpmExceptionFault"
message="tns:IBIMonitoringServiceApplication QueryChildMembers BpmExceptionFault FaultMessage
" />
    </wsdl:operation>
    <wsdl:operation name="QueryChildMembersFromDataSource">
      <wsdl:input
wsam:Action="http://www.microsoft.com/performancepoint/scorecards/IBIMonitoringServiceApplica
tion/QueryChildMembersFromDataSource"
message="tns:IBIMonitoringServiceApplication_QueryChildMembersFromDataSource_InputMessage" />
      <wsdl:output
wsam:Action="http://www.microsoft.com/performancepoint/scorecards/IBIMonitoringServiceApplica
tion/QueryChildMembersFromDataSourceResponse"
message="tns:IBIMonitoringServiceApplication_QueryChildMembersFromDataSource_OutputMessage"
/>
      <wsdl:fault
wsam:Action="http://www.microsoft.com/performancepoint/scorecards/IBIMonitoringServiceApplica
tion/QueryChildMembersFromDataSourceBpmExceptionFault" name="BpmExceptionFault"
message="tns:IBIMonitoringServiceApplication_QueryChildMembersFromDataSource_BpmExceptionFaul
t_FaultMessage" />
      </wsdl:operation>
      <wsdl:operation name="QueryChildMembersByRangeFromDataSource">
        <wsdl:input
wsam:Action="http://www.microsoft.com/performancepoint/scorecards/IBIMonitoringServiceApplica
tion/QueryChildMembersByRangeFromDataSource"
message="tns:IBIMonitoringServiceApplication_QueryChildMembersByRangeFromDataSource_InputMess
age" />
        <wsdl:output
wsam:Action="http://www.microsoft.com/performancepoint/scorecards/IBIMonitoringServiceApplica
tion/QueryChildMembersByRangeFromDataSourceResponse"
message="tns:IBIMonitoringServiceApplication_QueryChildMembersByRangeFromDataSource_OutputMes
sage" />
        <wsdl:fault
wsam:Action="http://www.microsoft.com/performancepoint/scorecards/IBIMonitoringServiceApplica
tion/QueryChildMembersByRangeFromDataSourceBpmExceptionFault" name="BpmExceptionFault"
message="tns:IBIMonitoringServiceApplication QueryChildMembersByRangeFromDataSource BpmExcept
ionFault FaultMessage" />
        </wsdl:operation>
        <wsdl:operation name="QueryRelatedMember">
          <wsdl:input
wsam:Action="http://www.microsoft.com/performancepoint/scorecards/IBIMonitoringServiceApplica
tion/QueryRelatedMember"
message="tns:IBIMonitoringServiceApplication_QueryRelatedMember_InputMessage" />
          <wsdl:output
wsam:Action="http://www.microsoft.com/performancepoint/scorecards/IBIMonitoringServiceApplica
tion/QueryRelatedMemberResponse"
message="tns:IBIMonitoringServiceApplication_QueryRelatedMember_OutputMessage" />

```

```

    <wsdl:fault
wsam:Action="http://www.microsoft.com/performancepoint/scorecards/IBIMonitoringServiceApplica
tion/QueryRelatedMemberBpmExceptionFault" name="BpmExceptionFault"
message="tns:IBIMonitoringServiceApplication_QueryRelatedMember_BpmExceptionFault_FaultMessag
e" />
    </wsdl:operation>
    <wsdl:operation name="QueryRelatedMemberFromDataSource">
    <wsdl:input
wsam:Action="http://www.microsoft.com/performancepoint/scorecards/IBIMonitoringServiceApplica
tion/QueryRelatedMemberFromDataSource"
message="tns:IBIMonitoringServiceApplication_QueryRelatedMemberFromDataSource_InputMessage"
/>
    <wsdl:output
wsam:Action="http://www.microsoft.com/performancepoint/scorecards/IBIMonitoringServiceApplica
tion/QueryRelatedMemberFromDataSourceResponse"
message="tns:IBIMonitoringServiceApplication_QueryRelatedMemberFromDataSource_OutputMessage"
/>
    <wsdl:fault
wsam:Action="http://www.microsoft.com/performancepoint/scorecards/IBIMonitoringServiceApplica
tion/QueryRelatedMemberFromDataSourceBpmExceptionFault" name="BpmExceptionFault"
message="tns:IBIMonitoringServiceApplication_QueryRelatedMemberFromDataSource_BpmExceptionFau
lt_FaultMessage" />
    </wsdl:operation>
    <wsdl:operation name="QueryNamedSets">
    <wsdl:input
wsam:Action="http://www.microsoft.com/performancepoint/scorecards/IBIMonitoringServiceApplica
tion/QueryNamedSets"
message="tns:IBIMonitoringServiceApplication_QueryNamedSets_InputMessage" />
    <wsdl:output
wsam:Action="http://www.microsoft.com/performancepoint/scorecards/IBIMonitoringServiceApplica
tion/QueryNamedSetsResponse"
message="tns:IBIMonitoringServiceApplication_QueryNamedSets_OutputMessage" />
    <wsdl:fault
wsam:Action="http://www.microsoft.com/performancepoint/scorecards/IBIMonitoringServiceApplica
tion/QueryNamedSetsBpmExceptionFault" name="BpmExceptionFault"
message="tns:IBIMonitoringServiceApplication_QueryNamedSets_BpmExceptionFault_FaultMessage"
/>
    </wsdl:operation>
    <wsdl:operation name="QueryNamedSetsFromDataSource">
    <wsdl:input
wsam:Action="http://www.microsoft.com/performancepoint/scorecards/IBIMonitoringServiceApplica
tion/QueryNamedSetsFromDataSource"
message="tns:IBIMonitoringServiceApplication_QueryNamedSetsFromDataSource_InputMessage" />
    <wsdl:output
wsam:Action="http://www.microsoft.com/performancepoint/scorecards/IBIMonitoringServiceApplica
tion/QueryNamedSetsFromDataSourceResponse"
message="tns:IBIMonitoringServiceApplication_QueryNamedSetsFromDataSource_OutputMessage" />
    <wsdl:fault
wsam:Action="http://www.microsoft.com/performancepoint/scorecards/IBIMonitoringServiceApplica
tion/QueryNamedSetsFromDataSourceBpmExceptionFault" name="BpmExceptionFault"
message="tns:IBIMonitoringServiceApplication_QueryNamedSetsFromDataSource_BpmExceptionFault_F
aultMessage" />
    </wsdl:operation>
    <wsdl:operation name="ValidateKpi">
    <wsdl:input
wsam:Action="http://www.microsoft.com/performancepoint/scorecards/IBIMonitoringServiceApplica
tion/ValidateKpi" message="tns:IBIMonitoringServiceApplication ValidateKpi_InputMessage" />
    <wsdl:output
wsam:Action="http://www.microsoft.com/performancepoint/scorecards/IBIMonitoringServiceApplica
tion/ValidateKpiResponse"
message="tns:IBIMonitoringServiceApplication_ValidateKpi_OutputMessage" />
    <wsdl:fault
wsam:Action="http://www.microsoft.com/performancepoint/scorecards/IBIMonitoringServiceApplica
tion/ValidateKpiBpmExceptionFault" name="BpmExceptionFault"
message="tns:IBIMonitoringServiceApplication ValidateKpi_BpmExceptionFault_FaultMessage" />
    </wsdl:operation>
    <wsdl:operation name="ValidateScorecard">
    <wsdl:input
wsam:Action="http://www.microsoft.com/performancepoint/scorecards/IBIMonitoringServiceApplica

```

```

tion/ValidateScorecard"
message="tns:IBIMonitoringServiceApplication ValidateScorecard InputMessage" />
  <wsdl:output
wsam:Action="http://www.microsoft.com/performancepoint/scorecards/IBIMonitoringServiceApplica
tion/ValidateScorecardResponse"
message="tns:IBIMonitoringServiceApplication_ValidateScorecard_OutputMessage" />
  <wsdl:fault
wsam:Action="http://www.microsoft.com/performancepoint/scorecards/IBIMonitoringServiceApplica
tion/ValidateScorecardBpmExceptionFault" name="BpmExceptionFault"
message="tns:IBIMonitoringServiceApplication ValidateScorecard BpmExceptionFault FaultMessage
" />
  </wsdl:operation>
  <wsdl:operation name="ValidateSiteCollection">
    <wsdl:input
wsam:Action="http://www.microsoft.com/performancepoint/scorecards/IBIMonitoringServiceApplica
tion/ValidateSiteCollection"
message="tns:IBIMonitoringServiceApplication_ValidateSiteCollection_InputMessage" />
    <wsdl:output
wsam:Action="http://www.microsoft.com/performancepoint/scorecards/IBIMonitoringServiceApplica
tion/ValidateSiteCollectionResponse"
message="tns:IBIMonitoringServiceApplication_ValidateSiteCollection_OutputMessage" />
    <wsdl:fault
wsam:Action="http://www.microsoft.com/performancepoint/scorecards/IBIMonitoringServiceApplica
tion/ValidateSiteCollectionBpmExceptionFault" name="BpmExceptionFault"
message="tns:IBIMonitoringServiceApplication ValidateSiteCollection BpmExceptionFault FaultMe
ssage" />
    </wsdl:operation>
  <wsdl:operation name="MaintenanceJob">
    <wsdl:input
wsam:Action="http://www.microsoft.com/performancepoint/scorecards/IBIMonitoringServiceApplica
tion/MaintenanceJob"
message="tns:IBIMonitoringServiceApplication_MaintenanceJob_InputMessage" />
    <wsdl:output
wsam:Action="http://www.microsoft.com/performancepoint/scorecards/IBIMonitoringServiceApplica
tion/MaintenanceJobResponse"
message="tns:IBIMonitoringServiceApplication_MaintenanceJob_OutputMessage" />
    <wsdl:fault
wsam:Action="http://www.microsoft.com/performancepoint/scorecards/IBIMonitoringServiceApplica
tion/MaintenanceJobBpmExceptionFault" name="BpmExceptionFault"
message="tns:IBIMonitoringServiceApplication MaintenanceJob BpmExceptionFault FaultMessage"
/>
  </wsdl:operation>
  <wsdl:operation name="GenerateView">
    <wsdl:input
wsam:Action="http://www.microsoft.com/performancepoint/scorecards/IBIMonitoringServiceApplica
tion/GenerateView" message="tns:IBIMonitoringServiceApplication_GenerateView_InputMessage" />
    <wsdl:output
wsam:Action="http://www.microsoft.com/performancepoint/scorecards/IBIMonitoringServiceApplica
tion/GenerateViewResponse"
message="tns:IBIMonitoringServiceApplication GenerateView OutputMessage" />
    <wsdl:fault
wsam:Action="http://www.microsoft.com/performancepoint/scorecards/IBIMonitoringServiceApplica
tion/GenerateViewBpmExceptionFault" name="BpmExceptionFault"
message="tns:IBIMonitoringServiceApplication_GenerateView_BpmExceptionFault_FaultMessage" />
  </wsdl:operation>
  <wsdl:operation name="GenerateViewDirect">
    <wsdl:input
wsam:Action="http://www.microsoft.com/performancepoint/scorecards/IBIMonitoringServiceApplica
tion/GenerateViewDirect"
message="tns:IBIMonitoringServiceApplication_GenerateViewDirect_InputMessage" />
    <wsdl:output
wsam:Action="http://www.microsoft.com/performancepoint/scorecards/IBIMonitoringServiceApplica
tion/GenerateViewDirectResponse"
message="tns:IBIMonitoringServiceApplication GenerateViewDirect OutputMessage" />
    <wsdl:fault
wsam:Action="http://www.microsoft.com/performancepoint/scorecards/IBIMonitoringServiceApplica
tion/GenerateViewDirectBpmExceptionFault" name="BpmExceptionFault"
message="tns:IBIMonitoringServiceApplication GenerateViewDirect BpmExceptionFault FaultMessag
e" />
  </wsdl:operation>

```

```

    <wsdl:operation name="GetAsKpis">
      <wsdl:input
wsam:Action="http://www.microsoft.com/performancepoint/scorecards/IBIMonitoringServiceApplica
tion/GetAsKpis" message="tns:IBIMonitoringServiceApplication_GetAsKpis_InputMessage" />
      <wsdl:output
wsam:Action="http://www.microsoft.com/performancepoint/scorecards/IBIMonitoringServiceApplica
tion/GetAsKpisResponse" message="tns:IBIMonitoringServiceApplication_GetAsKpis_OutputMessage"
/>
      <wsdl:fault
wsam:Action="http://www.microsoft.com/performancepoint/scorecards/IBIMonitoringServiceApplica
tion/GetAsKpisBpmExceptionFault" name="BpmExceptionFault"
message="tns:IBIMonitoringServiceApplication_GetAsKpis_BpmExceptionFault_FaultMessage" />
    </wsdl:operation>
    <wsdl:operation name="GetParameterDisplayData">
      <wsdl:input
wsam:Action="http://www.microsoft.com/performancepoint/scorecards/IBIMonitoringServiceApplica
tion/GetParameterDisplayData"
message="tns:IBIMonitoringServiceApplication_GetParameterDisplayData_InputMessage" />
      <wsdl:output
wsam:Action="http://www.microsoft.com/performancepoint/scorecards/IBIMonitoringServiceApplica
tion/GetParameterDisplayDataResponse"
message="tns:IBIMonitoringServiceApplication_GetParameterDisplayData_OutputMessage" />
      <wsdl:fault
wsam:Action="http://www.microsoft.com/performancepoint/scorecards/IBIMonitoringServiceApplica
tion/GetParameterDisplayDataBpmExceptionFault" name="BpmExceptionFault"
message="tns:IBIMonitoringServiceApplication_GetParameterDisplayData_BpmExceptionFault_FaultM
essage" />
    </wsdl:operation>
    <wsdl:operation name="GetFilterDisplayData">
      <wsdl:input
wsam:Action="http://www.microsoft.com/performancepoint/scorecards/IBIMonitoringServiceApplica
tion/GetFilterDisplayData"
message="tns:IBIMonitoringServiceApplication_GetFilterDisplayData_InputMessage" />
      <wsdl:output
wsam:Action="http://www.microsoft.com/performancepoint/scorecards/IBIMonitoringServiceApplica
tion/GetFilterDisplayDataResponse"
message="tns:IBIMonitoringServiceApplication_GetFilterDisplayData_OutputMessage" />
      <wsdl:fault
wsam:Action="http://www.microsoft.com/performancepoint/scorecards/IBIMonitoringServiceApplica
tion/GetFilterDisplayDataBpmExceptionFault" name="BpmExceptionFault"
message="tns:IBIMonitoringServiceApplication_GetFilterDisplayData_BpmExceptionFault_FaultMess
age" />
    </wsdl:operation>
    <wsdl:operation name="GetParameterMessageData">
      <wsdl:input
wsam:Action="http://www.microsoft.com/performancepoint/scorecards/IBIMonitoringServiceApplica
tion/GetParameterMessageData"
message="tns:IBIMonitoringServiceApplication_GetParameterMessageData_InputMessage" />
      <wsdl:output
wsam:Action="http://www.microsoft.com/performancepoint/scorecards/IBIMonitoringServiceApplica
tion/GetParameterMessageDataResponse"
message="tns:IBIMonitoringServiceApplication_GetParameterMessageData_OutputMessage" />
      <wsdl:fault
wsam:Action="http://www.microsoft.com/performancepoint/scorecards/IBIMonitoringServiceApplica
tion/GetParameterMessageDataBpmExceptionFault" name="BpmExceptionFault"
message="tns:IBIMonitoringServiceApplication_GetParameterMessageData_BpmExceptionFault_FaultM
essage" />
    </wsdl:operation>
  </wsdl:portType>
  <wsdl:binding name="CustomBinding_IBIMonitoringServiceApplication"
type="tns:IBIMonitoringServiceApplication">
    <soap:binding transport="http://schemas.xmlsoap.org/soap/http" />
    <wsdl:operation name="DeleteDataSource">
      <soap:operation
soapAction="http://www.microsoft.com/performancepoint/scorecards/IBIMonitoringServiceApplicat
ion/DeleteDataSource" style="document" />
      <wsdl:input>
        <soap:body use="literal" />
      </wsdl:input>
    </wsdl:operation>
  </wsdl:binding>

```



```

    <wsdl:output>
      <soap:body use="literal" />
    </wsdl:output>
    <wsdl:fault name="BpmExceptionFault">
      <soap:fault use="literal" name="BpmExceptionFault" namespace="" />
    </wsdl:fault>
  </wsdl:operation>
  <wsdl:operation name="SaveFilterValues">
    <soap:operation
      soapAction="http://www.microsoft.com/performancepoint/scorecards/IBIMonitoringServiceApplication/SaveFilterValues" style="document" />
    <wsdl:input>
      <soap:body use="literal" />
    </wsdl:input>
    <wsdl:output>
      <soap:body use="literal" />
    </wsdl:output>
    <wsdl:fault name="BpmExceptionFault">
      <soap:fault use="literal" name="BpmExceptionFault" namespace="" />
    </wsdl:fault>
  </wsdl:operation>
  <wsdl:operation name="SearchParameterDisplayData">
    <soap:operation
      soapAction="http://www.microsoft.com/performancepoint/scorecards/IBIMonitoringServiceApplication/SearchParameterDisplayData" style="document"/>
    <wsdl:input>
      <soap:body use="literal"/>
    </wsdl:input>
    <wsdl:output>
      <soap:body use="literal"/>
    </wsdl:output>
    <wsdl:fault name="BpmExceptionFault">
      <soap:fault use="literal" name="BpmExceptionFault" namespace="" />
    </wsdl:fault>
  </wsdl:operation>
  <wsdl:operation name="GetRemainingParameterDisplayData">
    <soap:operation
      soapAction="http://www.microsoft.com/performancepoint/scorecards/IBIMonitoringServiceApplication/GetRemainingParameterDisplayData" style="document"/>
    <wsdl:input>
      <soap:body use="literal"/>
    </wsdl:input>
    <wsdl:output>
      <soap:body use="literal"/>
    </wsdl:output>
    <wsdl:fault name="BpmExceptionFault">
      <soap:fault use="literal" name="BpmExceptionFault" namespace="" />
    </wsdl:fault>
  </wsdl:operation>
  <wsdl:operation name="GetRemainingSearchResults">
    <soap:operation
      soapAction="http://www.microsoft.com/performancepoint/scorecards/IBIMonitoringServiceApplication/GetRemainingSearchResults" style="document"/>
    <wsdl:input>
      <soap:body use="literal"/>
    </wsdl:input>
    <wsdl:output>
      <soap:body use="literal"/>
    </wsdl:output>
    <wsdl:fault name="BpmExceptionFault">
      <soap:fault use="literal" name="BpmExceptionFault" namespace="" />
    </wsdl:fault>
  </wsdl:operation>
  <wsdl:operation name="GetKpisFromScorecard">
    <soap:operation
      soapAction="http://www.microsoft.com/performancepoint/scorecards/IBIMonitoringServiceApplication/GetKpisFromScorecard" style="document" />
    <wsdl:input>
      <soap:body use="literal" />

```

```

        </wsdl:input>
        <wsdl:output>
            <soap:body use="literal" />
        </wsdl:output>
        <wsdl:fault name="BpmExceptionFault">
            <soap:fault use="literal" name="BpmExceptionFault" namespace="" />
        </wsdl:fault>
    </wsdl:operation>
    <wsdl:operation name="GetAnalyticReportView">
        <soap:operation
soapAction="http://www.microsoft.com/performancepoint/scorecards/IBIMonitoringServiceApplicat
ion/GetAnalyticReportView" style="document" />
        <wsdl:input>
            <soap:body use="literal" />
        </wsdl:input>
        <wsdl:output>
            <soap:body use="literal" />
        </wsdl:output>
        <wsdl:fault name="BpmExceptionFault">
            <soap:fault use="literal" name="BpmExceptionFault" namespace="" />
        </wsdl:fault>
    </wsdl:operation>
    <wsdl:operation name="GetStrategyMapReportView">
        <soap:operation
soapAction="http://www.microsoft.com/performancepoint/scorecards/IBIMonitoringServiceApplicat
ion/GetStrategyMapReportView" style="document" />
        <wsdl:input>
            <soap:body use="literal" />
        </wsdl:input>
        <wsdl:output>
            <soap:body use="literal" />
        </wsdl:output>
        <wsdl:fault name="BpmExceptionFault">
            <soap:fault use="literal" name="BpmExceptionFault" namespace="" />
        </wsdl:fault>
    </wsdl:operation>
    <wsdl:operation name="GetLatestAnalyticReportVersion">
        <soap:operation
soapAction="http://www.microsoft.com/performancepoint/scorecards/IBIMonitoringServiceApplicat
ion/GetLatestAnalyticReportVersion" style="document" />
        <wsdl:input>
            <soap:body use="literal" />
        </wsdl:input>
        <wsdl:output>
            <soap:body use="literal" />
        </wsdl:output>
        <wsdl:fault name="BpmExceptionFault">
            <soap:fault use="literal" name="BpmExceptionFault" namespace="" />
        </wsdl:fault>
    </wsdl:operation>
    <wsdl:operation name="GetSettings">
        <soap:operation
soapAction="http://www.microsoft.com/performancepoint/scorecards/IBIMonitoringServiceApplicat
ion/GetSettings" style="document" />
        <wsdl:input>
            <soap:body use="literal" />
        </wsdl:input>
        <wsdl:output>
            <soap:body use="literal" />
        </wsdl:output>
        <wsdl:fault name="BpmExceptionFault">
            <soap:fault use="literal" name="BpmExceptionFault" namespace="" />
        </wsdl:fault>
    </wsdl:operation>
    <wsdl:operation name="GetSetting">
        <soap:operation
soapAction="http://www.microsoft.com/performancepoint/scorecards/IBIMonitoringServiceApplicat
ion/GetSetting" style="document" />
        <wsdl:input>

```

```

        <soap:body use="literal" />
    </wsdl:input>
    <wsdl:output>
        <soap:body use="literal" />
    </wsdl:output>
    <wsdl:fault name="BpmExceptionFault">
        <soap:fault use="literal" name="BpmExceptionFault" namespace="" />
    </wsdl:fault>
</wsdl:operation>
<wsdl:operation name="GetSettingValue">
    <soap:operation
soapAction="http://www.microsoft.com/performancepoint/scorecards/IBIMonitoringServiceApplicat
ion/GetSettingValue" style="document" />
    <wsdl:input>
        <soap:body use="literal" />
    </wsdl:input>
    <wsdl:output>
        <soap:body use="literal" />
    </wsdl:output>
    <wsdl:fault name="BpmExceptionFault">
        <soap:fault use="literal" name="BpmExceptionFault" namespace="" />
    </wsdl:fault>
</wsdl:operation>
<wsdl:operation name="UpdateSettingValue">
    <soap:operation
soapAction="http://www.microsoft.com/performancepoint/scorecards/IBIMonitoringServiceApplicat
ion/UpdateSettingValue" style="document" />
    <wsdl:input>
        <soap:body use="literal" />
    </wsdl:input>
    <wsdl:output>
        <soap:body use="literal" />
    </wsdl:output>
    <wsdl:fault name="BpmExceptionFault">
        <soap:fault use="literal" name="BpmExceptionFault" namespace="" />
    </wsdl:fault>
</wsdl:operation>
<wsdl:operation name="GetAnnotationSetting">
    <soap:operation
soapAction="http://www.microsoft.com/performancepoint/scorecards/IBIMonitoringServiceApplicat
ion/GetAnnotationSetting" style="document" />
    <wsdl:input>
        <soap:body use="literal" />
    </wsdl:input>
    <wsdl:output>
        <soap:body use="literal" />
    </wsdl:output>
    <wsdl:fault name="BpmExceptionFault">
        <soap:fault use="literal" name="BpmExceptionFault" namespace="" />
    </wsdl:fault>
</wsdl:operation>
<wsdl:operation name="GetDependentElements">
    <soap:operation
soapAction="http://www.microsoft.com/performancepoint/scorecards/IBIMonitoringServiceApplicat
ion/GetDependentElements" style="document" />
    <wsdl:input>
        <soap:body use="literal" />
    </wsdl:input>
    <wsdl:output>
        <soap:body use="literal" />
    </wsdl:output>
    <wsdl:fault name="BpmExceptionFault">
        <soap:fault use="literal" name="BpmExceptionFault" namespace="" />
    </wsdl:fault>
</wsdl:operation>
<wsdl:operation name="GetTreeMembersDataTable">
    <soap:operation
soapAction="http://www.microsoft.com/performancepoint/scorecards/IBIMonitoringServiceApplicat
ion/GetTreeMembersDataTable" style="document" />

```

```

        <wsdl:input>
          <soap:body use="literal" />
        </wsdl:input>
        <wsdl:output>
          <soap:body use="literal" />
        </wsdl:output>
      </wsdl:operation>
      <wsdl:operation name="RenderTreeMemberSelector">
        <soap:operation
soapAction="http://www.microsoft.com/performancepoint/scorecards/IBIMonitoringServiceApplication/RenderTreeMemberSelector" style="document" />
        <wsdl:input>
          <soap:body use="literal" />
        </wsdl:input>
        <wsdl:output>
          <soap:body use="literal" />
        </wsdl:output>
      </wsdl:operation>
      <wsdl:operation name="GetListItems">
        <soap:operation
soapAction="http://www.microsoft.com/performancepoint/scorecards/IBIMonitoringServiceApplication/GetListItems" style="document" />
        <wsdl:input>
          <soap:body use="literal" />
        </wsdl:input>
        <wsdl:output>
          <soap:body use="literal" />
        </wsdl:output>
        <wsdl:fault name="BpmExceptionFault">
          <soap:fault use="literal" name="BpmExceptionFault" namespace="" />
        </wsdl:fault>
      </wsdl:operation>
      <wsdl:operation name="QueryTimeIntelligence">
        <soap:operation
soapAction="http://www.microsoft.com/performancepoint/scorecards/IBIMonitoringServiceApplication/QueryTimeIntelligence" style="document" />
        <wsdl:input>
          <soap:body use="literal" />
        </wsdl:input>
        <wsdl:output>
          <soap:body use="literal" />
        </wsdl:output>
        <wsdl:fault name="BpmExceptionFault">
          <soap:fault use="literal" name="BpmExceptionFault" namespace="" />
        </wsdl:fault>
      </wsdl:operation>
      <wsdl:operation name="QueryTimeIntelligenceDirect">
        <soap:operation
soapAction="http://www.microsoft.com/performancepoint/scorecards/IBIMonitoringServiceApplication/QueryTimeIntelligenceDirect" style="document" />
        <wsdl:input>
          <soap:body use="literal" />
        </wsdl:input>
        <wsdl:output>
          <soap:body use="literal" />
        </wsdl:output>
        <wsdl:fault name="BpmExceptionFault">
          <soap:fault use="literal" name="BpmExceptionFault" namespace="" />
        </wsdl:fault>
      </wsdl:operation>
      <wsdl:operation name="GetRegisteredCustomFCOs">
        <soap:operation
soapAction="http://www.microsoft.com/performancepoint/scorecards/IBIMonitoringServiceApplication/GetRegisteredCustomFCOs" style="document" />
        <wsdl:input>
          <soap:body use="literal" />
        </wsdl:input>
        <wsdl:output>
          <soap:body use="literal" />
        </wsdl:output>
      </wsdl:operation>

```

```

        </wsdl:output>
        <wsdl:fault name="BpmExceptionFault">
          <soap:fault use="literal" name="BpmExceptionFault" namespace="" />
        </wsdl:fault>
      </wsdl:operation>
      <wsdl:operation name="CreateReportHtml">
        <soap:operation
soapAction="http://www.microsoft.com/performancepoint/scorecards/IBIMonitoringServiceApplicat
ion/CreateReportHtml" style="document" />
        <wsdl:input>
          <soap:body use="literal" />
        </wsdl:input>
        <wsdl:output>
          <soap:body use="literal" />
        </wsdl:output>
        <wsdl:fault name="BpmExceptionFault">
          <soap:fault use="literal" name="BpmExceptionFault" namespace="" />
        </wsdl:fault>
      </wsdl:operation>
      <wsdl:operation name="CreateNavigationMetadata">
        <soap:operation
soapAction="http://www.microsoft.com/performancepoint/scorecards/IBIMonitoringServiceApplicat
ion/CreateNavigationMetadata" style="document" />
        <wsdl:input>
          <soap:body use="literal" />
        </wsdl:input>
        <wsdl:output>
          <soap:body use="literal" />
        </wsdl:output>
        <wsdl:fault name="BpmExceptionFault">
          <soap:fault use="literal" name="BpmExceptionFault" namespace="" />
        </wsdl:fault>
      </wsdl:operation>
      <wsdl:operation name="GetFilterDependencies">
        <soap:operation
soapAction="http://www.microsoft.com/performancepoint/scorecards/IBIMonitoringServiceApplicat
ion/GetFilterDependencies" style="document" />
        <wsdl:input>
          <soap:body use="literal" />
        </wsdl:input>
        <wsdl:output>
          <soap:body use="literal" />
        </wsdl:output>
        <wsdl:fault name="BpmExceptionFault">
          <soap:fault use="literal" name="BpmExceptionFault" namespace="" />
        </wsdl:fault>
      </wsdl:operation>
      <wsdl:operation name="RenderFilter">
        <soap:operation
soapAction="http://www.microsoft.com/performancepoint/scorecards/IBIMonitoringServiceApplicat
ion/RenderFilter" style="document" />
        <wsdl:input>
          <soap:body use="literal" />
        </wsdl:input>
        <wsdl:output>
          <soap:body use="literal" />
        </wsdl:output>
        <wsdl:fault name="BpmExceptionFault">
          <soap:fault use="literal" name="BpmExceptionFault" namespace="" />
        </wsdl:fault>
      </wsdl:operation>
      <wsdl:operation name="GetReportDependencies">
        <soap:operation
soapAction="http://www.microsoft.com/performancepoint/scorecards/IBIMonitoringServiceApplicat
ion/GetReportDependencies" style="document" />
        <wsdl:input>
          <soap:body use="literal" />
        </wsdl:input>
        <wsdl:output>

```

```

        <soap:body use="literal" />
    </wsdl:output>
    <wsdl:fault name="BpmExceptionFault">
        <soap:fault use="literal" name="BpmExceptionFault" namespace="" />
    </wsdl:fault>
</wsdl:operation>
<wsdl:operation name="ReportSupportsExportFormat">
    <soap:operation
soapAction="http://www.microsoft.com/performancepoint/scorecards/IBIMonitoringServiceApplication/ReportSupportsExportFormat" style="document" />
        <wsdl:input>
            <soap:body use="literal" />
        </wsdl:input>
        <wsdl:output>
            <soap:body use="literal" />
        </wsdl:output>
        <wsdl:fault name="BpmExceptionFault">
            <soap:fault use="literal" name="BpmExceptionFault" namespace="" />
        </wsdl:fault>
    </wsdl:operation>
<wsdl:operation name="ExportReport">
    <soap:operation
soapAction="http://www.microsoft.com/performancepoint/scorecards/IBIMonitoringServiceApplication/ExportReport" style="document" />
        <wsdl:input>
            <soap:body use="literal" />
        </wsdl:input>
        <wsdl:output>
            <soap:body use="literal" />
        </wsdl:output>
        <wsdl:fault name="BpmExceptionFault">
            <soap:fault use="literal" name="BpmExceptionFault" namespace="" />
        </wsdl:fault>
    </wsdl:operation>
<wsdl:operation name="ScorecardSupportsExportFormat">
    <soap:operation
soapAction="http://www.microsoft.com/performancepoint/scorecards/IBIMonitoringServiceApplication/ScorecardSupportsExportFormat" style="document" />
        <wsdl:input>
            <soap:body use="literal" />
        </wsdl:input>
        <wsdl:output>
            <soap:body use="literal" />
        </wsdl:output>
        <wsdl:fault name="BpmExceptionFault">
            <soap:fault use="literal" name="BpmExceptionFault" namespace="" />
        </wsdl:fault>
    </wsdl:operation>
<wsdl:operation name="ExportScorecard">
    <soap:operation
soapAction="http://www.microsoft.com/performancepoint/scorecards/IBIMonitoringServiceApplication/ExportScorecard" style="document" />
        <wsdl:input>
            <soap:body use="literal" />
        </wsdl:input>
        <wsdl:output>
            <soap:body use="literal" />
        </wsdl:output>
        <wsdl:fault name="BpmExceptionFault">
            <soap:fault use="literal" name="BpmExceptionFault" namespace="" />
        </wsdl:fault>
    </wsdl:operation>
<wsdl:operation name="RenderReport">
    <soap:operation
soapAction="http://www.microsoft.com/performancepoint/scorecards/IBIMonitoringServiceApplication/RenderReport" style="document" />
        <wsdl:input>
            <soap:body use="literal" />
        </wsdl:input>

```

```

        <wsdl:output>
          <soap:body use="literal" />
        </wsdl:output>
        <wsdl:fault name="BpmExceptionFault">
          <soap:fault use="literal" name="BpmExceptionFault" namespace="" />
        </wsdl:fault>
      </wsdl:operation>
      <wsdl:operation name="GetScorecardDependencies">
        <soap:operation
soapAction="http://www.microsoft.com/performancepoint/scorecards/IBIMonitoringServiceApplicat
ion/GetScorecardDependencies" style="document" />
        <wsdl:input>
          <soap:body use="literal" />
        </wsdl:input>
        <wsdl:output>
          <soap:body use="literal" />
        </wsdl:output>
        <wsdl:fault name="BpmExceptionFault">
          <soap:fault use="literal" name="BpmExceptionFault" namespace="" />
        </wsdl:fault>
      </wsdl:operation>
      <wsdl:operation name="RenderScorecard">
        <soap:operation
soapAction="http://www.microsoft.com/performancepoint/scorecards/IBIMonitoringServiceApplicat
ion/RenderScorecard" style="document" />
        <wsdl:input>
          <soap:body use="literal" />
        </wsdl:input>
        <wsdl:output>
          <soap:body use="literal" />
        </wsdl:output>
        <wsdl:fault name="BpmExceptionFault">
          <soap:fault use="literal" name="BpmExceptionFault" namespace="" />
        </wsdl:fault>
      </wsdl:operation>
      <wsdl:operation name="RenderScorecardAjaxControl">
        <soap:operation
soapAction="http://www.microsoft.com/performancepoint/scorecards/IBIMonitoringServiceApplicat
ion/RenderScorecardAjaxControl" style="document" />
        <wsdl:input>
          <soap:body use="literal" />
        </wsdl:input>
        <wsdl:output>
          <soap:body use="literal" />
        </wsdl:output>
        <wsdl:fault name="BpmExceptionFault">
          <soap:fault use="literal" name="BpmExceptionFault" namespace="" />
        </wsdl:fault>
      </wsdl:operation>
      <wsdl:operation name="GetRenderControlPreview">
        <soap:operation
soapAction="http://www.microsoft.com/performancepoint/scorecards/IBIMonitoringServiceApplicat
ion/GetRenderControlPreview" style="document" />
        <wsdl:input>
          <soap:body use="literal" />
        </wsdl:input>
        <wsdl:output>
          <soap:body use="literal" />
        </wsdl:output>
        <wsdl:fault name="BpmExceptionFault">
          <soap:fault use="literal" name="BpmExceptionFault" namespace="" />
        </wsdl:fault>
      </wsdl:operation>
      <wsdl:operation name="GetDrillThroughPreview">
        <soap:operation
soapAction="http://www.microsoft.com/performancepoint/scorecards/IBIMonitoringServiceApplicat
ion/GetDrillThroughPreview" style="document" />
        <wsdl:input>
          <soap:body use="literal" />

```

```

        </wsdl:input>
        <wsdl:output>
          <soap:body use="literal" />
        </wsdl:output>
        <wsdl:fault name="BpmExceptionFault">
          <soap:fault use="literal" name="BpmExceptionFault" namespace="" />
        </wsdl:fault>
      </wsdl:operation>
      <wsdl:operation name="DecompStartAnalyze">
        <soap:operation
soapAction="http://www.microsoft.com/performancepoint/scorecards/IBIMonitoringServiceApplicat
ion/DecompStartAnalyze" style="document" />
        <wsdl:input>
          <soap:body use="literal" />
        </wsdl:input>
        <wsdl:output>
          <soap:body use="literal" />
        </wsdl:output>
        <wsdl:fault name="BpmExceptionFault">
          <soap:fault use="literal" name="BpmExceptionFault" namespace="" />
        </wsdl:fault>
      </wsdl:operation>
      <wsdl:operation name="DecompAutoExpand">
        <soap:operation
soapAction="http://www.microsoft.com/performancepoint/scorecards/IBIMonitoringServiceApplicat
ion/DecompAutoExpand" style="document" />
        <wsdl:input>
          <soap:body use="literal" />
        </wsdl:input>
        <wsdl:output>
          <soap:body use="literal" />
        </wsdl:output>
        <wsdl:fault name="BpmExceptionFault">
          <soap:fault use="literal" name="BpmExceptionFault" namespace="" />
        </wsdl:fault>
      </wsdl:operation>
      <wsdl:operation name="DecompCreateNavigationList">
        <soap:operation
soapAction="http://www.microsoft.com/performancepoint/scorecards/IBIMonitoringServiceApplicat
ion/DecompCreateNavigationList" style="document" />
        <wsdl:input>
          <soap:body use="literal" />
        </wsdl:input>
        <wsdl:output>
          <soap:body use="literal" />
        </wsdl:output>
        <wsdl:fault name="BpmExceptionFault">
          <soap:fault use="literal" name="BpmExceptionFault" namespace="" />
        </wsdl:fault>
      </wsdl:operation>
      <wsdl:operation name="DecompGetMemberProperties">
        <soap:operation
soapAction="http://www.microsoft.com/performancepoint/scorecards/IBIMonitoringServiceApplicat
ion/DecompGetMemberProperties" style="document" />
        <wsdl:input>
          <soap:body use="literal" />
        </wsdl:input>
        <wsdl:output>
          <soap:body use="literal" />
        </wsdl:output>
        <wsdl:fault name="BpmExceptionFault">
          <soap:fault use="literal" name="BpmExceptionFault" namespace="" />
        </wsdl:fault>
      </wsdl:operation>
      <wsdl:operation name="DecompExpand">
        <soap:operation
soapAction="http://www.microsoft.com/performancepoint/scorecards/IBIMonitoringServiceApplicat
ion/DecompExpand" style="document" />
        <wsdl:input>

```



```

        <soap:body use="literal" />
    </wsdl:input>
    <wsdl:output>
        <soap:body use="literal" />
    </wsdl:output>
    <wsdl:fault name="BpmExceptionFault">
        <soap:fault use="literal" name="BpmExceptionFault" namespace="" />
    </wsdl:fault>
</wsdl:operation>
<wsdl:operation name="GetReportViewImageData">
    <soap:operation
soapAction="http://www.microsoft.com/performancepoint/scorecards/IBIMonitoringServiceApplicat
ion/GetReportViewImageData" style="document" />
    <wsdl:input>
        <soap:body use="literal" />
    </wsdl:input>
    <wsdl:output>
        <soap:body use="literal" />
    </wsdl:output>
    <wsdl:fault name="BpmExceptionFault">
        <soap:fault use="literal" name="BpmExceptionFault" namespace="" />
    </wsdl:fault>
</wsdl:operation>
<wsdl:operation name="GetAnnotation">
    <soap:operation
soapAction="http://www.microsoft.com/performancepoint/scorecards/IBIMonitoringServiceApplicat
ion/GetAnnotation" style="document" />
    <wsdl:input>
        <soap:body use="literal" />
    </wsdl:input>
    <wsdl:output>
        <soap:body use="literal" />
    </wsdl:output>
    <wsdl:fault name="BpmExceptionFault">
        <soap:fault use="literal" name="BpmExceptionFault" namespace="" />
    </wsdl:fault>
</wsdl:operation>
<wsdl:operation name="GetAnnotationByID">
    <soap:operation
soapAction="http://www.microsoft.com/performancepoint/scorecards/IBIMonitoringServiceApplicat
ion/GetAnnotationByID" style="document" />
    <wsdl:input>
        <soap:body use="literal" />
    </wsdl:input>
    <wsdl:output>
        <soap:body use="literal" />
    </wsdl:output>
    <wsdl:fault name="BpmExceptionFault">
        <soap:fault use="literal" name="BpmExceptionFault" namespace="" />
    </wsdl:fault>
</wsdl:operation>
<wsdl:operation name="GetAllAnnotationsByScorecardLocation">
    <soap:operation
soapAction="http://www.microsoft.com/performancepoint/scorecards/IBIMonitoringServiceApplicat
ion/GetAllAnnotationsByScorecardLocation" style="document" />
    <wsdl:input>
        <soap:body use="literal" />
    </wsdl:input>
    <wsdl:output>
        <soap:body use="literal" />
    </wsdl:output>
    <wsdl:fault name="BpmExceptionFault">
        <soap:fault use="literal" name="BpmExceptionFault" namespace="" />
    </wsdl:fault>
</wsdl:operation>
<wsdl:operation name="CreateAnnotation">
    <soap:operation
soapAction="http://www.microsoft.com/performancepoint/scorecards/IBIMonitoringServiceApplicat
ion/CreateAnnotation" style="document" />

```

```

    <wsdl:input>
      <soap:body use="literal" />
    </wsdl:input>
  <wsdl:output>
    <soap:body use="literal" />
  </wsdl:output>
  <wsdl:fault name="BpmExceptionFault">
    <soap:fault use="literal" name="BpmExceptionFault" namespace="" />
  </wsdl:fault>
</wsdl:operation>
<wsdl:operation name="UpdateAnnotation">
  <soap:operation
soapAction="http://www.microsoft.com/performancepoint/scorecards/IBIMonitoringServiceApplication/UpdateAnnotation" style="document" />
  <wsdl:input>
    <soap:body use="literal" />
  </wsdl:input>
  <wsdl:output>
    <soap:body use="literal" />
  </wsdl:output>
  <wsdl:fault name="BpmExceptionFault">
    <soap:fault use="literal" name="BpmExceptionFault" namespace="" />
  </wsdl:fault>
</wsdl:operation>
<wsdl:operation name="DeleteAnnotation">
  <soap:operation
soapAction="http://www.microsoft.com/performancepoint/scorecards/IBIMonitoringServiceApplication/DeleteAnnotation" style="document" />
  <wsdl:input>
    <soap:body use="literal" />
  </wsdl:input>
  <wsdl:output>
    <soap:body use="literal" />
  </wsdl:output>
  <wsdl:fault name="BpmExceptionFault">
    <soap:fault use="literal" name="BpmExceptionFault" namespace="" />
  </wsdl:fault>
</wsdl:operation>
<wsdl:operation name="TrimAnnotationByScorecardLocation">
  <soap:operation
soapAction="http://www.microsoft.com/performancepoint/scorecards/IBIMonitoringServiceApplication/TrimAnnotationByScorecardLocation" style="document" />
  <wsdl:input>
    <soap:body use="literal" />
  </wsdl:input>
  <wsdl:output>
    <soap:body use="literal" />
  </wsdl:output>
  <wsdl:fault name="BpmExceptionFault">
    <soap:fault use="literal" name="BpmExceptionFault" namespace="" />
  </wsdl:fault>
</wsdl:operation>
<wsdl:operation name="TrimAnnotationByOwner">
  <soap:operation
soapAction="http://www.microsoft.com/performancepoint/scorecards/IBIMonitoringServiceApplication/TrimAnnotationByOwner" style="document" />
  <wsdl:input>
    <soap:body use="literal" />
  </wsdl:input>
  <wsdl:output>
    <soap:body use="literal" />
  </wsdl:output>
  <wsdl:fault name="BpmExceptionFault">
    <soap:fault use="literal" name="BpmExceptionFault" namespace="" />
  </wsdl:fault>
</wsdl:operation>
<wsdl:operation name="TrimAnnotationUntouchedSince">

```

```

    <soap:operation
soapAction="http://www.microsoft.com/performancepoint/scorecards/IBIMonitoringServiceApplication/TrimAnnotationUntouchedSince" style="document" />
    <wsdl:input>
        <soap:body use="literal" />
    </wsdl:input>
    <wsdl:output>
        <soap:body use="literal" />
    </wsdl:output>
    <wsdl:fault name="BpmExceptionFault">
        <soap:fault use="literal" name="BpmExceptionFault" namespace="" />
    </wsdl:fault>
</wsdl:operation>
<wsdl:operation name="CreateDataSource">
    <soap:operation
soapAction="http://www.microsoft.com/performancepoint/scorecards/IBIMonitoringServiceApplication/CreateDataSource" style="document" />
    <wsdl:input>
        <soap:body use="literal" />
    </wsdl:input>
    <wsdl:output>
        <soap:body use="literal" />
    </wsdl:output>
    <wsdl:fault name="BpmExceptionFault">
        <soap:fault use="literal" name="BpmExceptionFault" namespace="" />
    </wsdl:fault>
</wsdl:operation>
<wsdl:operation name="UpdateDataSource">
    <soap:operation
soapAction="http://www.microsoft.com/performancepoint/scorecards/IBIMonitoringServiceApplication/UpdateDataSource" style="document" />
    <wsdl:input>
        <soap:body use="literal" />
    </wsdl:input>
    <wsdl:output>
        <soap:body use="literal" />
    </wsdl:output>
    <wsdl:fault name="BpmExceptionFault">
        <soap:fault use="literal" name="BpmExceptionFault" namespace="" />
    </wsdl:fault>
</wsdl:operation>
<wsdl:operation name="GetDataSource">
    <soap:operation
soapAction="http://www.microsoft.com/performancepoint/scorecards/IBIMonitoringServiceApplication/GetDataSource" style="document" />
    <wsdl:input>
        <soap:body use="literal" />
    </wsdl:input>
    <wsdl:output>
        <soap:body use="literal" />
    </wsdl:output>
    <wsdl:fault name="BpmExceptionFault">
        <soap:fault use="literal" name="BpmExceptionFault" namespace="" />
    </wsdl:fault>
</wsdl:operation>
<wsdl:operation name="GetMdx">
    <soap:operation
soapAction="http://www.microsoft.com/performancepoint/scorecards/IBIMonitoringServiceApplication/GetMdx" style="document" />
    <wsdl:input>
        <soap:body use="literal" />
    </wsdl:input>
    <wsdl:output>
        <soap:body use="literal" />
    </wsdl:output>
    <wsdl:fault name="BpmExceptionFault">
        <soap:fault use="literal" name="BpmExceptionFault" namespace="" />
    </wsdl:fault>
</wsdl:operation>

```

```

    <wsdl:operation name="SaveTemporaryAnalyticReport">
      <soap:operation
soapAction="http://www.microsoft.com/performancepoint/scorecards/IBIMonitoringServiceApplicat
ion/SaveTemporaryAnalyticReport" style="document" />
      <wsdl:input>
        <soap:body use="literal" />
      </wsdl:input>
      <wsdl:output>
        <soap:body use="literal" />
      </wsdl:output>
      <wsdl:fault name="BpmExceptionFault">
        <soap:fault use="literal" name="BpmExceptionFault" namespace="" />
      </wsdl:fault>
    </wsdl:operation>
    <wsdl:operation name="SaveTemporaryStrategyMapReport">
      <soap:operation
soapAction="http://www.microsoft.com/performancepoint/scorecards/IBIMonitoringServiceApplicat
ion/SaveTemporaryStrategyMapReport" style="document" />
      <wsdl:input>
        <soap:body use="literal" />
      </wsdl:input>
      <wsdl:output>
        <soap:body use="literal" />
      </wsdl:output>
      <wsdl:fault name="BpmExceptionFault">
        <soap:fault use="literal" name="BpmExceptionFault" namespace="" />
      </wsdl:fault>
    </wsdl:operation>
    <wsdl:operation name="GetQueryResultMembers">
      <soap:operation
soapAction="http://www.microsoft.com/performancepoint/scorecards/IBIMonitoringServiceApplicat
ion/GetQueryResultMembers" style="document" />
      <wsdl:input>
        <soap:body use="literal" />
      </wsdl:input>
      <wsdl:output>
        <soap:body use="literal" />
      </wsdl:output>
      <wsdl:fault name="BpmExceptionFault">
        <soap:fault use="literal" name="BpmExceptionFault" namespace="" />
      </wsdl:fault>
    </wsdl:operation>
    <wsdl:operation name="GetDatabaseNamesFromDataSource">
      <soap:operation
soapAction="http://www.microsoft.com/performancepoint/scorecards/IBIMonitoringServiceApplicat
ion/GetDatabaseNamesFromDataSource" style="document" />
      <wsdl:input>
        <soap:body use="literal" />
      </wsdl:input>
      <wsdl:output>
        <soap:body use="literal" />
      </wsdl:output>
      <wsdl:fault name="BpmExceptionFault">
        <soap:fault use="literal" name="BpmExceptionFault" namespace="" />
      </wsdl:fault>
    </wsdl:operation>
    <wsdl:operation name="GetPreviewDataSet">
      <soap:operation
soapAction="http://www.microsoft.com/performancepoint/scorecards/IBIMonitoringServiceApplicat
ion/GetPreviewDataSet" style="document" />
      <wsdl:input>
        <soap:body use="literal" />
      </wsdl:input>
      <wsdl:output>
        <soap:body use="literal" />
      </wsdl:output>
      <wsdl:fault name="BpmExceptionFault">
        <soap:fault use="literal" name="BpmExceptionFault" namespace="" />
      </wsdl:fault>
    </wsdl:operation>

```

```

</wsdl:operation>
<wsdl:operation name="GetCubeNameInfos">
  <soap:operation
soapAction="http://www.microsoft.com/performancepoint/scorecards/IBIMonitoringServiceApplicat
ion/GetCubeNameInfos" style="document" />
  <wsdl:input>
    <soap:body use="literal" />
  </wsdl:input>
  <wsdl:output>
    <soap:body use="literal" />
  </wsdl:output>
  <wsdl:fault name="BpmExceptionFault">
    <soap:fault use="literal" name="BpmExceptionFault" namespace="" />
  </wsdl:fault>
</wsdl:operation>
<wsdl:operation name="GetCubeMetaData">
  <soap:operation
soapAction="http://www.microsoft.com/performancepoint/scorecards/IBIMonitoringServiceApplicat
ion/GetCubeMetaData" style="document" />
  <wsdl:input>
    <soap:body use="literal" />
  </wsdl:input>
  <wsdl:output>
    <soap:body use="literal" />
  </wsdl:output>
  <wsdl:fault name="BpmExceptionFault">
    <soap:fault use="literal" name="BpmExceptionFault" namespace="" />
  </wsdl:fault>
</wsdl:operation>
<wsdl:operation name="GetCubeMetaDataForDataSource">
  <soap:operation
soapAction="http://www.microsoft.com/performancepoint/scorecards/IBIMonitoringServiceApplicat
ion/GetCubeMetaDataForDataSource" style="document" />
  <wsdl:input>
    <soap:body use="literal" />
  </wsdl:input>
  <wsdl:output>
    <soap:body use="literal" />
  </wsdl:output>
  <wsdl:fault name="BpmExceptionFault">
    <soap:fault use="literal" name="BpmExceptionFault" namespace="" />
  </wsdl:fault>
</wsdl:operation>
<wsdl:operation name="TestConnection">
  <soap:operation
soapAction="http://www.microsoft.com/performancepoint/scorecards/IBIMonitoringServiceApplicat
ion/TestConnection" style="document" />
  <wsdl:input>
    <soap:body use="literal" />
  </wsdl:input>
  <wsdl:output>
    <soap:body use="literal" />
  </wsdl:output>
  <wsdl:fault name="BpmExceptionFault">
    <soap:fault use="literal" name="BpmExceptionFault" namespace="" />
  </wsdl:fault>
</wsdl:operation>
<wsdl:operation name="GetDimensions">
  <soap:operation
soapAction="http://www.microsoft.com/performancepoint/scorecards/IBIMonitoringServiceApplicat
ion/GetDimensions" style="document" />
  <wsdl:input>
    <soap:body use="literal" />
  </wsdl:input>
  <wsdl:output>
    <soap:body use="literal" />
  </wsdl:output>
  <wsdl:fault name="BpmExceptionFault">
    <soap:fault use="literal" name="BpmExceptionFault" namespace="" />
  </wsdl:fault>

```

```

        </wsdl:fault>
    </wsdl:operation>
    <wsdl:operation name="GetDimensionsFromDataSource">
        <soap:operation
soapAction="http://www.microsoft.com/performancepoint/scorecards/IBIMonitoringServiceApplicat
ion/GetDimensionsFromDataSource" style="document" />
        <wsdl:input>
            <soap:body use="literal" />
        </wsdl:input>
        <wsdl:output>
            <soap:body use="literal" />
        </wsdl:output>
        <wsdl:fault name="BpmExceptionFault">
            <soap:fault use="literal" name="BpmExceptionFault" namespace="" />
        </wsdl:fault>
    </wsdl:operation>
    <wsdl:operation name="GetCube">
        <soap:operation
soapAction="http://www.microsoft.com/performancepoint/scorecards/IBIMonitoringServiceApplicat
ion/GetCube" style="document" />
        <wsdl:input>
            <soap:body use="literal" />
        </wsdl:input>
        <wsdl:output>
            <soap:body use="literal" />
        </wsdl:output>
        <wsdl:fault name="BpmExceptionFault">
            <soap:fault use="literal" name="BpmExceptionFault" namespace="" />
        </wsdl:fault>
    </wsdl:operation>
    <wsdl:operation name="GetCubeFromDataSource">
        <soap:operation
soapAction="http://www.microsoft.com/performancepoint/scorecards/IBIMonitoringServiceApplicat
ion/GetCubeFromDataSource" style="document" />
        <wsdl:input>
            <soap:body use="literal" />
        </wsdl:input>
        <wsdl:output>
            <soap:body use="literal" />
        </wsdl:output>
        <wsdl:fault name="BpmExceptionFault">
            <soap:fault use="literal" name="BpmExceptionFault" namespace="" />
        </wsdl:fault>
    </wsdl:operation>
    <wsdl:operation name="QueryDimensionRootMembers">
        <soap:operation
soapAction="http://www.microsoft.com/performancepoint/scorecards/IBIMonitoringServiceApplicat
ion/QueryDimensionRootMembers" style="document" />
        <wsdl:input>
            <soap:body use="literal" />
        </wsdl:input>
        <wsdl:output>
            <soap:body use="literal" />
        </wsdl:output>
        <wsdl:fault name="BpmExceptionFault">
            <soap:fault use="literal" name="BpmExceptionFault" namespace="" />
        </wsdl:fault>
    </wsdl:operation>
    <wsdl:operation name="QueryDimensionRootMembersFromDataSource">
        <soap:operation
soapAction="http://www.microsoft.com/performancepoint/scorecards/IBIMonitoringServiceApplicat
ion/QueryDimensionRootMembersFromDataSource" style="document" />
        <wsdl:input>
            <soap:body use="literal" />
        </wsdl:input>
        <wsdl:output>
            <soap:body use="literal" />
        </wsdl:output>
        <wsdl:fault name="BpmExceptionFault">

```

```

        <soap:fault use="literal" name="BpmExceptionFault" namespace="" />
    </wsdl:fault>
</wsdl:operation>
<wsdl:operation name="QueryTransformMembers">
    <soap:operation
soapAction="http://www.microsoft.com/performancepoint/scorecards/IBIMonitoringServiceApplication/QueryTransformMembers" style="document" />
    <wsdl:input>
        <soap:body use="literal" />
    </wsdl:input>
    <wsdl:output>
        <soap:body use="literal" />
    </wsdl:output>
    <wsdl:fault name="BpmExceptionFault">
        <soap:fault use="literal" name="BpmExceptionFault" namespace="" />
    </wsdl:fault>
</wsdl:operation>
<wsdl:operation name="QueryChildMembers">
    <soap:operation
soapAction="http://www.microsoft.com/performancepoint/scorecards/IBIMonitoringServiceApplication/QueryChildMembers" style="document" />
    <wsdl:input>
        <soap:body use="literal" />
    </wsdl:input>
    <wsdl:output>
        <soap:body use="literal" />
    </wsdl:output>
    <wsdl:fault name="BpmExceptionFault">
        <soap:fault use="literal" name="BpmExceptionFault" namespace="" />
    </wsdl:fault>
</wsdl:operation>
<wsdl:operation name="QueryChildMembersFromDataSource">
    <soap:operation
soapAction="http://www.microsoft.com/performancepoint/scorecards/IBIMonitoringServiceApplication/QueryChildMembersFromDataSource" style="document" />
    <wsdl:input>
        <soap:body use="literal" />
    </wsdl:input>
    <wsdl:output>
        <soap:body use="literal" />
    </wsdl:output>
    <wsdl:fault name="BpmExceptionFault">
        <soap:fault use="literal" name="BpmExceptionFault" namespace="" />
    </wsdl:fault>
</wsdl:operation>
<wsdl:operation name="QueryChildMembersByRangeFromDataSource">
    <soap:operation
soapAction="http://www.microsoft.com/performancepoint/scorecards/IBIMonitoringServiceApplication/QueryChildMembersByRangeFromDataSource" style="document" />
    <wsdl:input>
        <soap:body use="literal" />
    </wsdl:input>
    <wsdl:output>
        <soap:body use="literal" />
    </wsdl:output>
    <wsdl:fault name="BpmExceptionFault">
        <soap:fault use="literal" name="BpmExceptionFault" namespace="" />
    </wsdl:fault>
</wsdl:operation>
<wsdl:operation name="QueryRelatedMember">
    <soap:operation
soapAction="http://www.microsoft.com/performancepoint/scorecards/IBIMonitoringServiceApplication/QueryRelatedMember" style="document" />
    <wsdl:input>
        <soap:body use="literal" />
    </wsdl:input>
    <wsdl:output>
        <soap:body use="literal" />
    </wsdl:output>

```

```

        <wsdl:fault name="BpmExceptionFault">
            <soap:fault use="literal" name="BpmExceptionFault" namespace="" />
        </wsdl:fault>
    </wsdl:operation>
    <wsdl:operation name="QueryRelatedMemberFromDataSource">
        <soap:operation
soapAction="http://www.microsoft.com/performancepoint/scorecards/IBIMonitoringServiceApplicat
ion/QueryRelatedMemberFromDataSource" style="document" />
        <wsdl:input>
            <soap:body use="literal" />
        </wsdl:input>
        <wsdl:output>
            <soap:body use="literal" />
        </wsdl:output>
        <wsdl:fault name="BpmExceptionFault">
            <soap:fault use="literal" name="BpmExceptionFault" namespace="" />
        </wsdl:fault>
    </wsdl:operation>
    <wsdl:operation name="QueryNamedSets">
        <soap:operation
soapAction="http://www.microsoft.com/performancepoint/scorecards/IBIMonitoringServiceApplicat
ion/QueryNamedSets" style="document" />
        <wsdl:input>
            <soap:body use="literal" />
        </wsdl:input>
        <wsdl:output>
            <soap:body use="literal" />
        </wsdl:output>
        <wsdl:fault name="BpmExceptionFault">
            <soap:fault use="literal" name="BpmExceptionFault" namespace="" />
        </wsdl:fault>
    </wsdl:operation>
    <wsdl:operation name="QueryNamedSetsFromDataSource">
        <soap:operation
soapAction="http://www.microsoft.com/performancepoint/scorecards/IBIMonitoringServiceApplicat
ion/QueryNamedSetsFromDataSource" style="document" />
        <wsdl:input>
            <soap:body use="literal" />
        </wsdl:input>
        <wsdl:output>
            <soap:body use="literal" />
        </wsdl:output>
        <wsdl:fault name="BpmExceptionFault">
            <soap:fault use="literal" name="BpmExceptionFault" namespace="" />
        </wsdl:fault>
    </wsdl:operation>
    <wsdl:operation name="ValidateKpi">
        <soap:operation
soapAction="http://www.microsoft.com/performancepoint/scorecards/IBIMonitoringServiceApplicat
ion/ValidateKpi" style="document" />
        <wsdl:input>
            <soap:body use="literal" />
        </wsdl:input>
        <wsdl:output>
            <soap:body use="literal" />
        </wsdl:output>
        <wsdl:fault name="BpmExceptionFault">
            <soap:fault use="literal" name="BpmExceptionFault" namespace="" />
        </wsdl:fault>
    </wsdl:operation>
    <wsdl:operation name="ValidateScorecard">
        <soap:operation
soapAction="http://www.microsoft.com/performancepoint/scorecards/IBIMonitoringServiceApplicat
ion/ValidateScorecard" style="document" />
        <wsdl:input>
            <soap:body use="literal" />
        </wsdl:input>
        <wsdl:output>
            <soap:body use="literal" />
        </wsdl:output>
    </wsdl:operation>

```



```

    </wsdl:output>
    <wsdl:fault name="BpmExceptionFault">
      <soap:fault use="literal" name="BpmExceptionFault" namespace="" />
    </wsdl:fault>
  </wsdl:operation>
  <wsdl:operation name="ValidateSiteCollection">
    <soap:operation
soapAction="http://www.microsoft.com/performancepoint/scorecards/IBIMonitoringServiceApplicat
ion/ValidateSiteCollection" style="document" />
    <wsdl:input>
      <soap:body use="literal" />
    </wsdl:input>
    <wsdl:output>
      <soap:body use="literal" />
    </wsdl:output>
    <wsdl:fault name="BpmExceptionFault">
      <soap:fault use="literal" name="BpmExceptionFault" namespace="" />
    </wsdl:fault>
  </wsdl:operation>
  <wsdl:operation name="MaintenanceJob">
    <soap:operation
soapAction="http://www.microsoft.com/performancepoint/scorecards/IBIMonitoringServiceApplicat
ion/MaintenanceJob" style="document" />
    <wsdl:input>
      <soap:body use="literal" />
    </wsdl:input>
    <wsdl:output>
      <soap:body use="literal" />
    </wsdl:output>
    <wsdl:fault name="BpmExceptionFault">
      <soap:fault use="literal" name="BpmExceptionFault" namespace="" />
    </wsdl:fault>
  </wsdl:operation>
  <wsdl:operation name="GenerateView">
    <soap:operation
soapAction="http://www.microsoft.com/performancepoint/scorecards/IBIMonitoringServiceApplicat
ion/GenerateView" style="document" />
    <wsdl:input>
      <soap:body use="literal" />
    </wsdl:input>
    <wsdl:output>
      <soap:body use="literal" />
    </wsdl:output>
    <wsdl:fault name="BpmExceptionFault">
      <soap:fault use="literal" name="BpmExceptionFault" namespace="" />
    </wsdl:fault>
  </wsdl:operation>
  <wsdl:operation name="GenerateViewDirect">
    <soap:operation
soapAction="http://www.microsoft.com/performancepoint/scorecards/IBIMonitoringServiceApplicat
ion/GenerateViewDirect" style="document" />
    <wsdl:input>
      <soap:body use="literal" />
    </wsdl:input>
    <wsdl:output>
      <soap:body use="literal" />
    </wsdl:output>
    <wsdl:fault name="BpmExceptionFault">
      <soap:fault use="literal" name="BpmExceptionFault" namespace="" />
    </wsdl:fault>
  </wsdl:operation>
  <wsdl:operation name="GetAsKpis">
    <soap:operation
soapAction="http://www.microsoft.com/performancepoint/scorecards/IBIMonitoringServiceApplicat
ion/GetAsKpis" style="document" />
    <wsdl:input>
      <soap:body use="literal" />
    </wsdl:input>
    <wsdl:output>

```

```

        <soap:body use="literal" />
    </wsdl:output>
    <wsdl:fault name="BpmExceptionFault">
        <soap:fault use="literal" name="BpmExceptionFault" namespace="" />
    </wsdl:fault>
</wsdl:operation>
<wsdl:operation name="GetParameterDisplayData">
    <soap:operation
soapAction="http://www.microsoft.com/performancepoint/scorecards/IBIMonitoringServiceApplication/GetParameterDisplayData" style="document" />
    <wsdl:input>
        <soap:body use="literal" />
    </wsdl:input>
    <wsdl:output>
        <soap:body use="literal" />
    </wsdl:output>
    <wsdl:fault name="BpmExceptionFault">
        <soap:fault use="literal" name="BpmExceptionFault" namespace="" />
    </wsdl:fault>
</wsdl:operation>
<wsdl:operation name="GetFilterDisplayData">
    <soap:operation
soapAction="http://www.microsoft.com/performancepoint/scorecards/IBIMonitoringServiceApplication/GetFilterDisplayData" style="document" />
    <wsdl:input>
        <soap:body use="literal" />
    </wsdl:input>
    <wsdl:output>
        <soap:body use="literal" />
    </wsdl:output>
    <wsdl:fault name="BpmExceptionFault">
        <soap:fault use="literal" name="BpmExceptionFault" namespace="" />
    </wsdl:fault>
</wsdl:operation>
<wsdl:operation name="GetParameterMessageData">
    <soap:operation
soapAction="http://www.microsoft.com/performancepoint/scorecards/IBIMonitoringServiceApplication/GetParameterMessageData" style="document" />
    <wsdl:input>
        <soap:body use="literal" />
    </wsdl:input>
    <wsdl:output>
        <soap:body use="literal" />
    </wsdl:output>
    <wsdl:fault name="BpmExceptionFault">
        <soap:fault use="literal" name="BpmExceptionFault" namespace="" />
    </wsdl:fault>
</wsdl:operation>
</wsdl:binding>
</wsdl:definitions>

```

## 6.2 http://tempuri.org/ WSDL

```

<?xml version="1.0"?>
<wsdl:definitions xmlns:tns="http://www.microsoft.com/performancepoint/scorecards"
xmlns:soap="http://schemas.xmlsoap.org/wsdl/soap/" name="BIMonitoringServiceApplication"
targetNamespace="http://tempuri.org/" xmlns:wsdl="http://schemas.xmlsoap.org/wsdl/">
    <wsdl:import namespace="http://www.microsoft.com/performancepoint/scorecards" location="" />
    <wsdl:types/>
    <wsdl:binding name="CustomBinding IBIMonitoringServiceApplication"
type="tns:IBIMonitoringServiceApplication">
        <soap:binding transport="http://schemas.xmlsoap.org/soap/http"/>
        <wsdl:operation name="UpdateSettingValue">
            <soap:operation
soapAction="http://www.microsoft.com/performancepoint/scorecards/IBIMonitoringServiceApplication/UpdateSettingValue" style="document"/>

```

```

    <wsdl:input>
      <soap:body use="literal"/>
    </wsdl:input>
  <wsdl:output>
    <soap:body use="literal"/>
  </wsdl:output>
  <wsdl:fault name="BpmExceptionFault">
    <soap:fault use="literal" name="BpmExceptionFault" namespace=""/>
  </wsdl:fault>
</wsdl:operation>
<wsdl:operation name="DecompExpand">
  <soap:operation
soapAction="http://www.microsoft.com/performancepoint/scorecards/IBIMonitoringServiceApplication/DecompExpand" style="document"/>
  <wsdl:input>
    <soap:body use="literal"/>
  </wsdl:input>
  <wsdl:output>
    <soap:body use="literal"/>
  </wsdl:output>
  <wsdl:fault name="BpmExceptionFault">
    <soap:fault use="literal" name="BpmExceptionFault" namespace=""/>
  </wsdl:fault>
</wsdl:operation>
<wsdl:operation name="GetReportViewImageData">
  <soap:operation
soapAction="http://www.microsoft.com/performancepoint/scorecards/IBIMonitoringServiceApplication/GetReportViewImageData" style="document"/>
  <wsdl:input>
    <soap:body use="literal"/>
  </wsdl:input>
  <wsdl:output>
    <soap:body use="literal"/>
  </wsdl:output>
  <wsdl:fault name="BpmExceptionFault">
    <soap:fault use="literal" name="BpmExceptionFault" namespace=""/>
  </wsdl:fault>
</wsdl:operation>
<wsdl:operation name="SaveFilterValues">
  <soap:operation
soapAction="http://www.microsoft.com/performancepoint/scorecards/IBIMonitoringServiceApplication/SaveFilterValues" style="document"/>
  <wsdl:input>
    <soap:body use="literal"/>
  </wsdl:input>
  <wsdl:output>
    <soap:body use="literal"/>
  </wsdl:output>
  <wsdl:fault name="BpmExceptionFault">
    <soap:fault use="literal" name="BpmExceptionFault" namespace=""/>
  </wsdl:fault>
</wsdl:operation>
<wsdl:operation name="SearchParameterDisplayData">
  <soap:operation
soapAction="http://www.microsoft.com/performancepoint/scorecards/IBIMonitoringServiceApplication/SearchParameterDisplayData" style="document"/>
  <wsdl:input>
    <soap:body use="literal"/>
  </wsdl:input>
  <wsdl:output>
    <soap:body use="literal"/>
  </wsdl:output>
  <wsdl:fault name="BpmExceptionFault">
    <soap:fault use="literal" name="BpmExceptionFault" namespace=""/>
  </wsdl:fault>
</wsdl:operation>
<wsdl:operation name="GetRemainingParameterDisplayData">

```

```

    <soap:operation
soapAction="http://www.microsoft.com/performancepoint/scorecards/IBIMonitoringServiceApplication/GetRemainingParameterDisplayData" style="document"/>
    <wsdl:input>
        <soap:body use="literal"/>
    </wsdl:input>
    <wsdl:output>
        <soap:body use="literal"/>
    </wsdl:output>
    <wsdl:fault name="BpmExceptionFault">
        <soap:fault use="literal" name="BpmExceptionFault" namespace=""/>
    </wsdl:fault>
</wsdl:operation>
<wsdl:operation name="GetRemainingSearchResults">
    <soap:operation
soapAction="http://www.microsoft.com/performancepoint/scorecards/IBIMonitoringServiceApplication/GetRemainingSearchResults" style="document"/>
    <wsdl:input>
        <soap:body use="literal"/>
    </wsdl:input>
    <wsdl:output>
        <soap:body use="literal"/>
    </wsdl:output>
    <wsdl:fault name="BpmExceptionFault">
        <soap:fault use="literal" name="BpmExceptionFault" namespace=""/>
    </wsdl:fault>
</wsdl:operation>
<wsdl:operation name="GetStrategyMapReportView">
    <soap:operation
soapAction="http://www.microsoft.com/performancepoint/scorecards/IBIMonitoringServiceApplication/GetStrategyMapReportView" style="document"/>
    <wsdl:input>
        <soap:body use="literal"/>
    </wsdl:input>
    <wsdl:output>
        <soap:body use="literal"/>
    </wsdl:output>
    <wsdl:fault name="BpmExceptionFault">
        <soap:fault use="literal" name="BpmExceptionFault" namespace=""/>
    </wsdl:fault>
</wsdl:operation>
<wsdl:operation name="GetSettings">
    <soap:operation
soapAction="http://www.microsoft.com/performancepoint/scorecards/IBIMonitoringServiceApplication/GetSettings" style="document"/>
    <wsdl:input>
        <soap:body use="literal"/>
    </wsdl:input>
    <wsdl:output>
        <soap:body use="literal"/>
    </wsdl:output>
    <wsdl:fault name="BpmExceptionFault">
        <soap:fault use="literal" name="BpmExceptionFault" namespace=""/>
    </wsdl:fault>
</wsdl:operation>
<wsdl:operation name="GetSetting">
    <soap:operation
soapAction="http://www.microsoft.com/performancepoint/scorecards/IBIMonitoringServiceApplication/GetSetting" style="document"/>
    <wsdl:input>
        <soap:body use="literal"/>
    </wsdl:input>
    <wsdl:output>
        <soap:body use="literal"/>
    </wsdl:output>
    <wsdl:fault name="BpmExceptionFault">
        <soap:fault use="literal" name="BpmExceptionFault" namespace=""/>
    </wsdl:fault>
</wsdl:operation>

```

```

    <wsdl:operation name="GetSettingValue">
      <soap:operation
soapAction="http://www.microsoft.com/performancepoint/scorecards/IBIMonitoringServiceApplicat
ion/GetSettingValue" style="document"/>
      <wsdl:input>
        <soap:body use="literal"/>
      </wsdl:input>
      <wsdl:output>
        <soap:body use="literal"/>
      </wsdl:output>
      <wsdl:fault name="BpmExceptionFault">
        <soap:fault use="literal" name="BpmExceptionFault" namespace=""/>
      </wsdl:fault>
    </wsdl:operation>
    <wsdl:operation name="ValidateSiteCollection">
      <soap:operation
soapAction="http://www.microsoft.com/performancepoint/scorecards/IBIMonitoringServiceApplicat
ion/ValidateSiteCollection" style="document"/>
      <wsdl:input>
        <soap:body use="literal"/>
      </wsdl:input>
      <wsdl:output>
        <soap:body use="literal"/>
      </wsdl:output>
      <wsdl:fault name="BpmExceptionFault">
        <soap:fault use="literal" name="BpmExceptionFault" namespace=""/>
      </wsdl:fault>
    </wsdl:operation>
    <wsdl:operation name="MaintenanceJob">
      <soap:operation
soapAction="http://www.microsoft.com/performancepoint/scorecards/IBIMonitoringServiceApplicat
ion/MaintenanceJob" style="document"/>
      <wsdl:input>
        <soap:body use="literal"/>
      </wsdl:input>
      <wsdl:output>
        <soap:body use="literal"/>
      </wsdl:output>
      <wsdl:fault name="BpmExceptionFault">
        <soap:fault use="literal" name="BpmExceptionFault" namespace=""/>
      </wsdl:fault>
    </wsdl:operation>
    <wsdl:operation name="GetFilterDisplayData">
      <soap:operation
soapAction="http://www.microsoft.com/performancepoint/scorecards/IBIMonitoringServiceApplicat
ion/GetFilterDisplayData" style="document"/>
      <wsdl:input>
        <soap:body use="literal"/>
      </wsdl:input>
      <wsdl:output>
        <soap:body use="literal"/>
      </wsdl:output>
      <wsdl:fault name="BpmExceptionFault">
        <soap:fault use="literal" name="BpmExceptionFault" namespace=""/>
      </wsdl:fault>
    </wsdl:operation>
    <wsdl:operation name="GetParameterMessageData">
      <soap:operation
soapAction="http://www.microsoft.com/performancepoint/scorecards/IBIMonitoringServiceApplicat
ion/GetParameterMessageData" style="document"/>
      <wsdl:input>
        <soap:body use="literal"/>
      </wsdl:input>
      <wsdl:output>
        <soap:body use="literal"/>
      </wsdl:output>
      <wsdl:fault name="BpmExceptionFault">
        <soap:fault use="literal" name="BpmExceptionFault" namespace=""/>
      </wsdl:fault>
    </wsdl:operation>

```

```

</wsdl:operation>
<wsdl:operation name="CreateReportHtml">
  <soap:operation
soapAction="http://www.microsoft.com/performancepoint/scorecards/IBIMonitoringServiceApplicat
ion/CreateReportHtml" style="document"/>
  <wsdl:input>
    <soap:body use="literal"/>
  </wsdl:input>
  <wsdl:output>
    <soap:body use="literal"/>
  </wsdl:output>
  <wsdl:fault name="BpmExceptionFault">
    <soap:fault use="literal" name="BpmExceptionFault" namespace=""/>
  </wsdl:fault>
</wsdl:operation>
<wsdl:operation name="CreateNavigationMetadata">
  <soap:operation
soapAction="http://www.microsoft.com/performancepoint/scorecards/IBIMonitoringServiceApplicat
ion/CreateNavigationMetadata" style="document"/>
  <wsdl:input>
    <soap:body use="literal"/>
  </wsdl:input>
  <wsdl:output>
    <soap:body use="literal"/>
  </wsdl:output>
  <wsdl:fault name="BpmExceptionFault">
    <soap:fault use="literal" name="BpmExceptionFault" namespace=""/>
  </wsdl:fault>
</wsdl:operation>
<wsdl:operation name="GetFilterDependencies">
  <soap:operation
soapAction="http://www.microsoft.com/performancepoint/scorecards/IBIMonitoringServiceApplicat
ion/GetFilterDependencies" style="document"/>
  <wsdl:input>
    <soap:body use="literal"/>
  </wsdl:input>
  <wsdl:output>
    <soap:body use="literal"/>
  </wsdl:output>
  <wsdl:fault name="BpmExceptionFault">
    <soap:fault use="literal" name="BpmExceptionFault" namespace=""/>
  </wsdl:fault>
</wsdl:operation>
<wsdl:operation name="RenderFilter">
  <soap:operation
soapAction="http://www.microsoft.com/performancepoint/scorecards/IBIMonitoringServiceApplicat
ion/RenderFilter" style="document"/>
  <wsdl:input>
    <soap:body use="literal"/>
  </wsdl:input>
  <wsdl:output>
    <soap:body use="literal"/>
  </wsdl:output>
  <wsdl:fault name="BpmExceptionFault">
    <soap:fault use="literal" name="BpmExceptionFault" namespace=""/>
  </wsdl:fault>
</wsdl:operation>
<wsdl:operation name="GetReportDependencies">
  <soap:operation
soapAction="http://www.microsoft.com/performancepoint/scorecards/IBIMonitoringServiceApplicat
ion/GetReportDependencies" style="document"/>
  <wsdl:input>
    <soap:body use="literal"/>
  </wsdl:input>
  <wsdl:output>
    <soap:body use="literal"/>
  </wsdl:output>
  <wsdl:fault name="BpmExceptionFault">
    <soap:fault use="literal" name="BpmExceptionFault" namespace=""/>
  </wsdl:fault>

```

```

        </wsdl:fault>
    </wsdl:operation>
    <wsdl:operation name="ReportSupportsExportFormat">
        <soap:operation
soapAction="http://www.microsoft.com/performancepoint/scorecards/IBIMonitoringServiceApplicat
ion/ReportSupportsExportFormat" style="document"/>
        <wsdl:input>
            <soap:body use="literal"/>
        </wsdl:input>
        <wsdl:output>
            <soap:body use="literal"/>
        </wsdl:output>
        <wsdl:fault name="BpmExceptionFault">
            <soap:fault use="literal" name="BpmExceptionFault" namespace=""/>
        </wsdl:fault>
    </wsdl:operation>
    <wsdl:operation name="ExportReport">
        <soap:operation
soapAction="http://www.microsoft.com/performancepoint/scorecards/IBIMonitoringServiceApplicat
ion/ExportReport" style="document"/>
        <wsdl:input>
            <soap:body use="literal"/>
        </wsdl:input>
        <wsdl:output>
            <soap:body use="literal"/>
        </wsdl:output>
        <wsdl:fault name="BpmExceptionFault">
            <soap:fault use="literal" name="BpmExceptionFault" namespace=""/>
        </wsdl:fault>
    </wsdl:operation>
    <wsdl:operation name="ScorecardSupportsExportFormat">
        <soap:operation
soapAction="http://www.microsoft.com/performancepoint/scorecards/IBIMonitoringServiceApplicat
ion/ScorecardSupportsExportFormat" style="document"/>
        <wsdl:input>
            <soap:body use="literal"/>
        </wsdl:input>
        <wsdl:output>
            <soap:body use="literal"/>
        </wsdl:output>
        <wsdl:fault name="BpmExceptionFault">
            <soap:fault use="literal" name="BpmExceptionFault" namespace=""/>
        </wsdl:fault>
    </wsdl:operation>
    <wsdl:operation name="ExportScorecard">
        <soap:operation
soapAction="http://www.microsoft.com/performancepoint/scorecards/IBIMonitoringServiceApplicat
ion/ExportScorecard" style="document"/>
        <wsdl:input>
            <soap:body use="literal"/>
        </wsdl:input>
        <wsdl:output>
            <soap:body use="literal"/>
        </wsdl:output>
        <wsdl:fault name="BpmExceptionFault">
            <soap:fault use="literal" name="BpmExceptionFault" namespace=""/>
        </wsdl:fault>
    </wsdl:operation>
    <wsdl:operation name="RenderReport">
        <soap:operation
soapAction="http://www.microsoft.com/performancepoint/scorecards/IBIMonitoringServiceApplicat
ion/RenderReport" style="document"/>
        <wsdl:input>
            <soap:body use="literal"/>
        </wsdl:input>
        <wsdl:output>
            <soap:body use="literal"/>
        </wsdl:output>
        <wsdl:fault name="BpmExceptionFault">

```

```

        <soap:fault use="literal" name="BpmExceptionFault" namespace=""/>
    </wsdl:fault>
</wsdl:operation>
<wsdl:operation name="GetScorecardDependencies">
    <soap:operation
soapAction="http://www.microsoft.com/performancepoint/scorecards/IBIMonitoringServiceApplicat
ion/GetScorecardDependencies" style="document"/>
    <wsdl:input>
        <soap:body use="literal"/>
    </wsdl:input>
    <wsdl:output>
        <soap:body use="literal"/>
    </wsdl:output>
    <wsdl:fault name="BpmExceptionFault">
        <soap:fault use="literal" name="BpmExceptionFault" namespace=""/>
    </wsdl:fault>
</wsdl:operation>
<wsdl:operation name="RenderScorecard">
    <soap:operation
soapAction="http://www.microsoft.com/performancepoint/scorecards/IBIMonitoringServiceApplicat
ion/RenderScorecard" style="document"/>
    <wsdl:input>
        <soap:body use="literal"/>
    </wsdl:input>
    <wsdl:output>
        <soap:body use="literal"/>
    </wsdl:output>
    <wsdl:fault name="BpmExceptionFault">
        <soap:fault use="literal" name="BpmExceptionFault" namespace=""/>
    </wsdl:fault>
</wsdl:operation>
<wsdl:operation name="RenderScorecardAjaxControl">
    <soap:operation
soapAction="http://www.microsoft.com/performancepoint/scorecards/IBIMonitoringServiceApplicat
ion/RenderScorecardAjaxControl" style="document"/>
    <wsdl:input>
        <soap:body use="literal"/>
    </wsdl:input>
    <wsdl:output>
        <soap:body use="literal"/>
    </wsdl:output>
    <wsdl:fault name="BpmExceptionFault">
        <soap:fault use="literal" name="BpmExceptionFault" namespace=""/>
    </wsdl:fault>
</wsdl:operation>
<wsdl:operation name="GetRenderControlPreview">
    <soap:operation
soapAction="http://www.microsoft.com/performancepoint/scorecards/IBIMonitoringServiceApplicat
ion/GetRenderControlPreview" style="document"/>
    <wsdl:input>
        <soap:body use="literal"/>
    </wsdl:input>
    <wsdl:output>
        <soap:body use="literal"/>
    </wsdl:output>
    <wsdl:fault name="BpmExceptionFault">
        <soap:fault use="literal" name="BpmExceptionFault" namespace=""/>
    </wsdl:fault>
</wsdl:operation>
<wsdl:operation name="GetDrillThroughPreview">
    <soap:operation
soapAction="http://www.microsoft.com/performancepoint/scorecards/IBIMonitoringServiceApplicat
ion/GetDrillThroughPreview" style="document"/>
    <wsdl:input>
        <soap:body use="literal"/>
    </wsdl:input>
    <wsdl:output>
        <soap:body use="literal"/>
    </wsdl:output>

```



```

        <wsdl:fault name="BpmExceptionFault">
            <soap:fault use="literal" name="BpmExceptionFault" namespace=""/>
        </wsdl:fault>
    </wsdl:operation>
    <wsdl:operation name="DecompStartAnalyze">
        <soap:operation
soapAction="http://www.microsoft.com/performancepoint/scorecards/IBIMonitoringServiceApplicat
ion/DecompStartAnalyze" style="document"/>
        <wsdl:input>
            <soap:body use="literal"/>
        </wsdl:input>
        <wsdl:output>
            <soap:body use="literal"/>
        </wsdl:output>
        <wsdl:fault name="BpmExceptionFault">
            <soap:fault use="literal" name="BpmExceptionFault" namespace=""/>
        </wsdl:fault>
    </wsdl:operation>
    <wsdl:operation name="DecompAutoExpand">
        <soap:operation
soapAction="http://www.microsoft.com/performancepoint/scorecards/IBIMonitoringServiceApplicat
ion/DecompAutoExpand" style="document"/>
        <wsdl:input>
            <soap:body use="literal"/>
        </wsdl:input>
        <wsdl:output>
            <soap:body use="literal"/>
        </wsdl:output>
        <wsdl:fault name="BpmExceptionFault">
            <soap:fault use="literal" name="BpmExceptionFault" namespace=""/>
        </wsdl:fault>
    </wsdl:operation>
    <wsdl:operation name="SaveTemporaryStrategyMapReport">
        <soap:operation
soapAction="http://www.microsoft.com/performancepoint/scorecards/IBIMonitoringServiceApplicat
ion/SaveTemporaryStrategyMapReport" style="document"/>
        <wsdl:input>
            <soap:body use="literal"/>
        </wsdl:input>
        <wsdl:output>
            <soap:body use="literal"/>
        </wsdl:output>
        <wsdl:fault name="BpmExceptionFault">
            <soap:fault use="literal" name="BpmExceptionFault" namespace=""/>
        </wsdl:fault>
    </wsdl:operation>
    <wsdl:operation name="RenderTreeMemberSelector">
        <soap:operation
soapAction="http://www.microsoft.com/performancepoint/scorecards/IBIMonitoringServiceApplicat
ion/RenderTreeMemberSelector" style="document"/>
        <wsdl:input>
            <soap:body use="literal"/>
        </wsdl:input>
        <wsdl:output>
            <soap:body use="literal"/>
        </wsdl:output>
    </wsdl:operation>
</wsdl:binding>
</wsdl:definitions>

```

## 7 Appendix B: Full XML Schema

For ease of implementation, the following sections provide the full XML schema for this protocol.

Schema name	Prefix	Section
<a href="http://www.microsoft.com/performancepoint/scorecards">http://www.microsoft.com/performancepoint/scorecards</a>	tns	<a href="#">7.1</a>
<a href="http://schemas.microsoft.com/2003/10/Serialization/">http://schemas.microsoft.com/2003/10/Serialization/</a>	tns1	<a href="#">7.2</a>
<a href="http://schemas.datacontract.org/2004/07/Microsoft.PerformancePoint.Scorecards.ServerCommon.Export">http://schemas.datacontract.org/2004/07/Microsoft.PerformancePoint.Scorecards.ServerCommon.Export</a>	q33	<a href="#">7.3</a>
<a href="http://schemas.datacontract.org/2004/07/Microsoft.PerformancePoint.Scorecards">http://schemas.datacontract.org/2004/07/Microsoft.PerformancePoint.Scorecards</a>	q1	<a href="#">7.4</a>
<a href="http://schemas.datacontract.org/2004/07/System">http://schemas.datacontract.org/2004/07/System</a>	q3	<a href="#">7.5</a>
<a href="http://microsoft.com/wsd/types/">http://microsoft.com/wsd/types/</a>	q2	<a href="#">7.6</a>
<a href="http://schemas.microsoft.com/2003/10/Serialization/Arrays">http://schemas.microsoft.com/2003/10/Serialization/Arrays</a>	q4	<a href="#">7.7</a>
<a href="http://schemas.datacontract.org/2004/07/System.Collections.Generic">http://schemas.datacontract.org/2004/07/System.Collections.Generic</a>	q5	<a href="#">7.8</a>
<a href="http://schemas.datacontract.org/2004/07/Microsoft.PerformancePoint.Scorecards.ServerCommon">http://schemas.datacontract.org/2004/07/Microsoft.PerformancePoint.Scorecards.ServerCommon</a>	q19	<a href="#">7.9</a>
<a href="http://schemas.datacontract.org/2004/07/System.Data">http://schemas.datacontract.org/2004/07/System.Data</a>	Unassigned	<a href="#">7.10</a>

### 7.1 <http://www.microsoft.com/performancepoint/scorecards> Schema

```
<?xml version="1.0"?>
<xs:schema xmlns:tns="http://www.microsoft.com/performancepoint/scorecards"
  elementFormDefault="qualified"
  targetNamespace="http://www.microsoft.com/performancepoint/scorecards"
  xmlns:xs="http://www.w3.org/2001/XMLSchema" attributeFormDefault="unqualified">
  <xs:import namespace="http://schemas.datacontract.org/2004/07/System"/>
  <xs:import namespace="http://www.w3.org/2001/XMLSchema"/>
  <xs:import namespace="http://microsoft.com/wsd/types"/>
  <xs:import
    namespace="http://schemas.datacontract.org/2004/07/Microsoft.PerformancePoint.Scorecards"/>
  <xs:import
    namespace="http://schemas.datacontract.org/2004/07/Microsoft.PerformancePoint.Scorecards.ServerCommon"/>
  <xs:import
    namespace="http://schemas.datacontract.org/2004/07/Microsoft.PerformancePoint.Scorecards.ServerCommon.Export"/>
  <xs:element name="UpdateSettingValue">
    <xs:complexType>
      <xs:sequence>
        <xs:element minOccurs="0" maxOccurs="1" name="key" type="xs:string"/>
        <xs:element minOccurs="0" maxOccurs="1" name="value" type="xs:string"/>
      </xs:sequence>
    </xs:complexType>
  </xs:element>
  <xs:element name="UpdateSettingValueResponse">
    <xs:complexType/>
  </xs:element>
  <xs:element name="GetAnnotationSetting">
    <xs:complexType/>
  </xs:element>
  <xs:element name="GetAnnotationSettingResponse">
```

```

    <xs:complexType>
      <xs:sequence>
        <xs:element minOccurs="0" maxOccurs="1" name="GetAnnotationSettingResult"
type="tns:AnnotationSetting"/>
      </xs:sequence>
    </xs:complexType>
  </xs:element>
  <xs:complexType name="AnnotationSetting">
    <xs:attribute name="IsAnnotationEnabled" type="xs:boolean" use="required"/>
    <xs:attribute name="IsAnnotationEnabledDefault" type="xs:boolean" use="required"/>
    <xs:attribute name="IsDeletionByAuthorEnabled" type="xs:boolean" use="required"/>
    <xs:attribute name="IsDeletionByAuthorEnabledDefault" type="xs:boolean" use="required"/>
    <xs:attribute name="MaxAnnotationAllowed" type="xs:int" use="required"/>
  </xs:complexType>
  <xs:element name="GetDependentElements">
    <xs:complexType>
      <xs:sequence>
        <xs:element minOccurs="0" maxOccurs="1" name="missingItems"
type="tns:ArrayOfRepositoryLocation"/>
      </xs:sequence>
    </xs:complexType>
  </xs:element>
  <xs:complexType name="ArrayOfRepositoryLocation">
    <xs:sequence>
      <xs:element minOccurs="0" maxOccurs="unbounded" name="RepositoryLocation"
nillable="true" type="tns:RepositoryLocation"/>
    </xs:sequence>
  </xs:complexType>
  <xs:element name="FirstClassObjectType" type="tns:FirstClassObjectType"/>
  <xs:simpleType name="FirstClassObjectType">
    <xs:restriction base="xs:string">
      <xs:enumeration value="None"/>
      <xs:enumeration value="Kpi"/>
      <xs:enumeration value="Scorecard"/>
      <xs:enumeration value="ReportView"/>
      <xs:enumeration value="Indicator"/>
      <xs:enumeration value="DataSource"/>
      <xs:enumeration value="Dashboard"/>
      <xs:enumeration value="TempReportView"/>
      <xs:enumeration value="Filter"/>
    </xs:restriction>
  </xs:simpleType>
  <xs:complexType name="RepositoryLocation">
    <xs:attribute name="ItemUrl" type="xs:string" use="required"/>
    <xs:attribute default="None" name="ItemType" type="tns:FirstClassObjectType"
use="optional"/>
    <xs:attribute default="00000000-0000-0000-0000-000000000000" name="ItemGuid"
use="optional">
      <xs:simpleType>
        <xs:restriction base="xs:string">
          <xs:pattern value="[0-9a-fA-F]{8}-[0-9a-fA-F]{4}-[0-9a-fA-F]{4}-[0-9a-fA-F]{4}-[0-
9a-fA-F]{12}"/>
        </xs:restriction>
      </xs:simpleType>
    </xs:attribute>
    <xs:attribute default="00000000-0000-0000-0000-000000000000" name="SpSiteCollectionGuid"
use="optional">
      <xs:simpleType>
        <xs:restriction base="xs:string">
          <xs:pattern value="[0-9a-fA-F]{8}-[0-9a-fA-F]{4}-[0-9a-fA-F]{4}-[0-9a-fA-F]{4}-[0-
9a-fA-F]{12}"/>
        </xs:restriction>
      </xs:simpleType>
    </xs:attribute>
    <xs:attribute default="00000000-0000-0000-0000-000000000000" name="SpSiteGuid"
use="optional">
      <xs:simpleType>
        <xs:restriction base="xs:string">

```

```

        <xs:pattern value="[0-9a-fA-F]{8}-[0-9a-fA-F]{4}-[0-9a-fA-F]{4}-[0-9a-fA-F]{4}-[0-
9a-fA-F]{12}"/>
    </xs:restriction>
</xs:simpleType>
</xs:attribute>
<xs:attribute default="00000000-0000-0000-0000-000000000000" name="SpListGuid"
use="optional">
    <xs:simpleType>
        <xs:restriction base="xs:string">
            <xs:pattern value="[0-9a-fA-F]{8}-[0-9a-fA-F]{4}-[0-9a-fA-F]{4}-[0-9a-fA-F]{4}-[0-
9a-fA-F]{12}"/>
        </xs:restriction>
    </xs:simpleType>
</xs:attribute>
</xs:complexType>
<xs:element name="GetDependentElementsResponse">
    <xs:complexType>
        <xs:sequence>
            <xs:element minOccurs="0" maxOccurs="1" name="GetDependentElementsResult"
type="tns:DependentElementInfo"/>
        </xs:sequence>
    </xs:complexType>
</xs:element>
<xs:complexType name="DependentElementInfo">
    <xs:sequence>
        <xs:element minOccurs="0" maxOccurs="1" name="DependentLists"
type="tns:ArrayOfRepositoryList"/>
        <xs:element minOccurs="0" maxOccurs="1" name="DependentElements"
type="tns:ArrayOfFirstClassElement"/>
    </xs:sequence>
</xs:complexType>
<xs:complexType name="ArrayOfRepositoryList">
    <xs:sequence>
        <xs:element minOccurs="0" maxOccurs="unbounded" name="RepositoryList" nillable="true"
type="tns:RepositoryList"/>
    </xs:sequence>
</xs:complexType>
<xs:complexType name="RepositoryList">
    <xs:sequence>
        <xs:element minOccurs="0" maxOccurs="1" name="Location" type="tns:ListLocation"/>
        <xs:element minOccurs="1" maxOccurs="1" name="SupportedTypes"
type="tns:FCOContentType"/>
        <xs:element minOccurs="0" maxOccurs="1" name="Title" type="xs:string"/>
        <xs:element xmlns:q2="http://microsoft.com/wsdl/types/" minOccurs="1" maxOccurs="1"
name="ListId" type="q2:guid"/>
    </xs:sequence>
</xs:complexType>
<xs:simpleType name="FCOContentType">
    <xs:list>
        <xs:simpleType>
            <xs:restriction base="xs:string">
                <xs:enumeration value="None"/>
                <xs:enumeration value="PpsDashboard"/>
                <xs:enumeration value="PpsScorecard"/>
                <xs:enumeration value="PpsKpi"/>
                <xs:enumeration value="PpsReportView"/>
                <xs:enumeration value="PpsIndicator"/>
                <xs:enumeration value="PpsDataSource"/>
                <xs:enumeration value="PpsFilter"/>
            </xs:restriction>
        </xs:simpleType>
    </xs:list>
</xs:simpleType>
<xs:complexType name="ArrayOfFirstClassElement">
    <xs:sequence>
        <xs:element minOccurs="0" maxOccurs="unbounded" name="FirstClassElement"
nillable="true" type="tns:FirstClassElement"/>
    </xs:sequence>
</xs:complexType>

```

```

<xs:complexType name="FirstClassElement" abstract="true">
  <xs:complexContent mixed="false">
    <xs:extension base="tns:Element">
      <xs:sequence>
        <xs:element minOccurs="0" maxOccurs="1" name="Version" type="tns:ElementVersion"/>
        <xs:element minOccurs="0" maxOccurs="1" name="Location"
type="tns:RepositoryLocation"/>
      </xs:sequence>
      <xs:attribute name="Folder" type="xs:string"/>
      <xs:attribute name="CreatedBy" type="xs:string"/>
      <xs:attribute name="CreatedDate" type="xs:dateTime" use="required"/>
      <xs:attribute name="ContentType" type="tns:FCOContentType" use="required"/>
      <xs:attribute name="LastModified" type="xs:dateTime" use="required"/>
      <xs:attribute name="ModifiedBy" type="xs:string"/>
      <xs:attribute name="CheckedOutTo" type="xs:string"/>
    </xs:extension>
  </xs:complexContent>
</xs:complexType>
<xs:complexType name="Element" abstract="true">
  <xs:sequence>
    <xs:element minOccurs="0" maxOccurs="1" name="Properties"
type="tns:ArrayOfBpmProperty"/>
    <xs:element minOccurs="0" maxOccurs="1" name="Comments" type="tns:ArrayOfComment"/>
  </xs:sequence>
</xs:complexType>
<xs:complexType name="ArrayOfBpmProperty">
  <xs:sequence>
    <xs:element minOccurs="0" maxOccurs="unbounded" name="BpmProperty" nillable="true"
type="tns:BpmProperty"/>
  </xs:sequence>
</xs:complexType>
<xs:complexType name="BpmProperty" abstract="true">
  <xs:attribute name="UniqueName" type="xs:string"/>
  <xs:attribute name="DisplayName" type="xs:string"/>
  <xs:attribute name="Description" type="xs:string"/>
  <xs:attribute name="Required" type="xs:boolean" use="required"/>
  <xs:attribute name="Visible" type="xs:boolean" use="required"/>
</xs:complexType>
<xs:complexType name="BpmPropertyUser">
  <xs:complexContent mixed="false">
    <xs:extension base="tns:BpmProperty">
      <xs:attribute name="Login" type="xs:string"/>
    </xs:extension>
  </xs:complexContent>
</xs:complexType>
<xs:complexType name="BpmPropertyLinkBase">
  <xs:complexContent mixed="false">
    <xs:extension base="tns:BpmProperty">
      <xs:attribute name="Hyperlink" type="xs:string"/>
    </xs:extension>
  </xs:complexContent>
</xs:complexType>
<xs:complexType name="BpmPropertyHyperlink">
  <xs:complexContent mixed="false">
    <xs:extension base="tns:BpmPropertyLinkBase"/>
  </xs:complexContent>
</xs:complexType>
<xs:complexType name="BpmPropertyHyperlink2">
  <xs:complexContent mixed="false">
    <xs:extension base="tns:BpmPropertyLinkBase"/>
  </xs:complexContent>
</xs:complexType>
<xs:complexType name="BpmPropertyDate">
  <xs:complexContent mixed="false">
    <xs:extension base="tns:BpmProperty">
      <xs:attribute name="Date" type="xs:dateTime" use="required"/>
    </xs:extension>
  </xs:complexContent>
</xs:complexType>

```

```

<xs:complexType name="BpmPropertyLongText">
  <xs:complexContent mixed="false">
    <xs:extension base="tns:BpmProperty">
      <xs:attribute name="Text" type="xs:string"/>
    </xs:extension>
  </xs:complexContent>
</xs:complexType>
<xs:complexType name="BpmPropertyText">
  <xs:complexContent mixed="false">
    <xs:extension base="tns:BpmProperty">
      <xs:attribute name="Text" type="xs:string"/>
    </xs:extension>
  </xs:complexContent>
</xs:complexType>
<xs:complexType name="BpmPropertyDecimal">
  <xs:complexContent mixed="false">
    <xs:extension base="tns:BpmProperty">
      <xs:attribute name="Decimal" type="xs:decimal" use="required"/>
    </xs:extension>
  </xs:complexContent>
</xs:complexType>
<xs:complexType name="BpmPropertyList">
  <xs:complexContent mixed="false">
    <xs:extension base="tns:BpmProperty">
      <xs:sequence>
        <xs:element minOccurs="0" maxOccurs="1" name="ListItems"
type="tns:ArrayOfBpmPropertyListItem"/>
      </xs:sequence>
      <xs:attribute name="SelectedIndex" type="xs:int" use="required"/>
    </xs:extension>
  </xs:complexContent>
</xs:complexType>
<xs:complexType name="ArrayOfBpmPropertyListItem">
  <xs:sequence>
    <xs:element minOccurs="0" maxOccurs="unbounded" name="BpmPropertyListItem"
nillable="true" type="tns:BpmPropertyListItem"/>
  </xs:sequence>
</xs:complexType>
<xs:complexType name="BpmPropertyListItem">
  <xs:attribute name="Name" type="xs:string"/>
  <xs:attribute name="Value" type="xs:string"/>
</xs:complexType>
<xs:complexType name="BpmPropertyBool">
  <xs:complexContent mixed="false">
    <xs:extension base="tns:BpmProperty">
      <xs:attribute name="Value" type="xs:boolean" use="required"/>
    </xs:extension>
  </xs:complexContent>
</xs:complexType>
<xs:complexType name="ArrayOfComment">
  <xs:sequence>
    <xs:element minOccurs="0" maxOccurs="unbounded" name="Comment" nillable="true"
type="tns:Comment"/>
  </xs:sequence>
</xs:complexType>
<xs:complexType name="Comment">
  <xs:attribute xmlns:q2="http://microsoft.com/wsdl/types/" name="Guid" type="q2:guid"
use="required"/>
  <xs:attribute name="CreatedBy" type="xs:string"/>
  <xs:attribute name="CreatedDate" type="xs:dateTime" use="required"/>
  <xs:attribute name="Message" type="xs:string"/>
</xs:complexType>
<xs:complexType name="SecondClassElement" abstract="true">
  <xs:complexContent mixed="false">
    <xs:extension base="tns:Element">
      <xs:attribute xmlns:q2="http://microsoft.com/wsdl/types/" name="Guid" type="q2:guid"
use="required"/>
    </xs:extension>
  </xs:complexContent>
</xs:complexType>

```

```

</xs:complexType>
<xs:complexType name="KpiMeasure">
  <xs:complexContent mixed="false">
    <xs:extension base="tns:SecondClassElement">
      <xs:sequence>
        <xs:element minOccurs="0" maxOccurs="1" name="OwnerKpiLocation"
type="tns:RepositoryLocation"/>
        <xs:element minOccurs="0" maxOccurs="1" name="DataSourceLocation"
type="tns:RepositoryLocation"/>
        <xs:element minOccurs="0" maxOccurs="1" name="DefaultDimensionSettings"
type="tns:ArrayOfDefaultDimensionSetting"/>
        <xs:element minOccurs="0" maxOccurs="1" name="OverrideFormatProperties"
type="tns:KpiNumberFormatProperties"/>
        <xs:element minOccurs="0" maxOccurs="1" name="CalcFormulaInfo"
type="tns:CalculatedFormulaInfo"/>
      </xs:sequence>
      <xs:attribute name="AggregateBy" type="tns:AggregateTypeEnum" use="required"/>
      <xs:attribute name="DisableScorecardFilters" type="xs:boolean" use="required"/>
      <xs:attribute name="ModelCurrent" type="xs:decimal" use="required"/>
      <xs:attribute name="Pattern" type="tns:KpiPattern" use="required"/>
      <xs:attribute name="CurrentFormula" type="xs:string"/>
      <xs:attribute name="IsCustomCurrentFormula" type="xs:boolean" use="required"/>
      <xs:attribute name="OdbcQuery" type="xs:string"/>
      <xs:attribute name="OverrideHoverText" type="xs:string"/>
      <xs:attribute name="TimeFilterFormula" type="xs:string"/>
      <xs:attribute name="ValueSource" type="tns:ValueSources" use="required"/>
    </xs:extension>
  </xs:complexContent>
</xs:complexType>
<xs:complexType name="ArrayOfDefaultDimensionSetting">
  <xs:sequence>
    <xs:element minOccurs="0" maxOccurs="unbounded" name="DefaultDimensionSetting"
nillable="true" type="tns:DefaultDimensionSetting"/>
  </xs:sequence>
</xs:complexType>
<xs:complexType name="DefaultDimensionSetting">
  <xs:complexContent mixed="false">
    <xs:extension base="tns:Dimension">
      <xs:sequence>
        <xs:element minOccurs="0" maxOccurs="unbounded" name="Members" type="tns:Member"/>
      </xs:sequence>
      <xs:attribute name="IsVisible" type="xs:boolean" use="required"/>
      <xs:attribute name="ShowAsSlider" type="xs:boolean" use="required"/>
    </xs:extension>
  </xs:complexContent>
</xs:complexType>
<xs:complexType name="Dimension">
  <xs:complexContent mixed="false">
    <xs:extension base="tns:NameInfo">
      <xs:sequence>
        <xs:element minOccurs="0" maxOccurs="1" name="MeasureGroupNames"
type="tns:ArrayOfString"/>
        <xs:element minOccurs="1" maxOccurs="1" name="Type" type="tns:DimensionTypeEnum"/>
        <xs:element minOccurs="0" maxOccurs="1" name="Hierarchies"
type="tns:ArrayOfHierarchy"/>
        <xs:element minOccurs="0" maxOccurs="1" name="Levels" type="tns:ArrayOfLevel"/>
      </xs:sequence>
      <xs:attribute name="IsMeasureDimension" type="xs:boolean" use="required"/>
      <xs:attribute name="DefaultMemberName" type="xs:string"/>
    </xs:extension>
  </xs:complexContent>
</xs:complexType>
<xs:complexType name="NameInfo">
  <xs:attribute name="DisplayName" type="xs:string"/>
  <xs:attribute name="UniqueName" type="xs:string"/>
  <xs:attribute name="Description" type="xs:string"/>
</xs:complexType>
<xs:complexType name="Level">
  <xs:complexContent mixed="false">

```

```

    <xs:extension base="tns:NameInfo">
      <xs:attribute name="DimensionUniqueName" type="xs:string"/>
      <xs:attribute name="HierarchyUniqueName" type="xs:string"/>
      <xs:attribute name="IsAllLevel" type="xs:boolean" use="required"/>
      <xs:attribute name="LevelNumber" type="xs:int" use="required"/>
    </xs:extension>
  </xs:complexContent>
</xs:complexType>
<xs:complexType name="Hierarchy">
  <xs:complexContent mixed="false">
    <xs:extension base="tns:NameInfo">
      <xs:sequence>
        <xs:element minOccurs="0" maxOccurs="1" name="Levels" type="tns:ArrayOfLevel"/>
      </xs:sequence>
      <xs:attribute name="DefaultMemberName" type="xs:string"/>
      <xs:attribute name="DimensionUniqueName" type="xs:string"/>
      <xs:attribute name="DisplayFolder" type="xs:string"/>
      <xs:attribute name="HierarchyOrigin" type="tns:HierarchyOrigin" use="required"/>
    </xs:extension>
  </xs:complexContent>
</xs:complexType>
<xs:complexType name="ArrayOfLevel">
  <xs:sequence>
    <xs:element minOccurs="0" maxOccurs="unbounded" name="Level" nillable="true"
type="tns:Level"/>
  </xs:sequence>
</xs:complexType>
<xs:simpleType name="HierarchyOrigin">
  <xs:restriction base="xs:string">
    <xs:enumeration value="None"/>
    <xs:enumeration value="AttributeHierarchy"/>
    <xs:enumeration value="ParentChildHierarchy"/>
    <xs:enumeration value="UserHierarchy"/>
  </xs:restriction>
</xs:simpleType>
<xs:complexType name="ArrayOfString">
  <xs:sequence>
    <xs:element minOccurs="0" maxOccurs="unbounded" name="string" nillable="true"
type="xs:string"/>
  </xs:sequence>
</xs:complexType>
<xs:simpleType name="DimensionTypeEnum">
  <xs:restriction base="xs:string">
    <xs:enumeration value="Accounts"/>
    <xs:enumeration value="BillOfMaterials"/>
    <xs:enumeration value="Channel"/>
    <xs:enumeration value="Currency"/>
    <xs:enumeration value="Customers"/>
    <xs:enumeration value="Geography"/>
    <xs:enumeration value="Measure"/>
    <xs:enumeration value="Organization"/>
    <xs:enumeration value="Other"/>
    <xs:enumeration value="Products"/>
    <xs:enumeration value="Promotion"/>
    <xs:enumeration value="Quantitative"/>
    <xs:enumeration value="Rates"/>
    <xs:enumeration value="Scenario"/>
    <xs:enumeration value="Time"/>
    <xs:enumeration value="Unknown"/>
    <xs:enumeration value="Utility"/>
  </xs:restriction>
</xs:simpleType>
<xs:complexType name="ArrayOfHierarchy">
  <xs:sequence>
    <xs:element minOccurs="0" maxOccurs="unbounded" name="Hierarchy" nillable="true"
type="tns:Hierarchy"/>
  </xs:sequence>
</xs:complexType>
<xs:complexType name="Member">

```



```

    <xs:sequence>
      <xs:element minOccurs="0" maxOccurs="1" name="MemberOperation"
type="tns:MemberOperation"/>
    </xs:sequence>
    <xs:attribute name="Caption" type="xs:string"/>
    <xs:attribute name="UniqueName" type="xs:string"/>
    <xs:attribute name="HierarchyPath" type="xs:string"/>
    <xs:attribute name="LevelName" type="xs:string"/>
    <xs:attribute name="DimensionName" type="xs:string"/>
    <xs:attribute name="LevelDepth" type="xs:int" use="required"/>
    <xs:attribute name="ChildCount" type="xs:long" use="required"/>
    <xs:attribute name="IsChildCountReal" type="xs:boolean" use="required"/>
    <xs:attribute name="IsAllLevel" type="xs:boolean" use="required"/>
    <xs:attribute name="DimensionUniqueName" type="xs:string"/>
    <xs:attribute name="MemberType" type="tns:MemberType" use="required"/>
  </xs:complexType>
  <xs:complexType name="MemberOperation" abstract="true"/>
  <xs:complexType name="MemberOperationLeafDescendants">
    <xs:complexContent mixed="false">
      <xs:extension base="tns:MemberOperation"/>
    </xs:complexContent>
  </xs:complexType>
  <xs:complexType name="MemberOperationDescendants">
    <xs:complexContent mixed="false">
      <xs:extension base="tns:MemberOperation">
        <xs:attribute name="LevelUniqueName" type="xs:string"/>
        <xs:attribute name="LevelDisplayName" type="xs:string"/>
      </xs:extension>
    </xs:complexContent>
  </xs:complexType>
  <xs:complexType name="MemberOperationHide">
    <xs:complexContent mixed="false">
      <xs:extension base="tns:MemberOperation"/>
    </xs:complexContent>
  </xs:complexType>
  <xs:complexType name="MemberOperationDrillUp">
    <xs:complexContent mixed="false">
      <xs:extension base="tns:MemberOperation"/>
    </xs:complexContent>
  </xs:complexType>
  <xs:complexType name="MemberOperationChildren">
    <xs:complexContent mixed="false">
      <xs:extension base="tns:MemberOperation"/>
    </xs:complexContent>
  </xs:complexType>
  <xs:complexType name="MemberOperationAllDescendants">
    <xs:complexContent mixed="false">
      <xs:extension base="tns:MemberOperation"/>
    </xs:complexContent>
  </xs:complexType>
  <xs:simpleType name="MemberType">
    <xs:restriction base="xs:string">
      <xs:enumeration value="Regular"/>
      <xs:enumeration value="Operation"/>
      <xs:enumeration value="Default"/>
      <xs:enumeration value="Formula"/>
    </xs:restriction>
  </xs:simpleType>
  <xs:complexType name="CalculatedMember">
    <xs:complexContent mixed="false">
      <xs:extension base="tns:Member">
        <xs:attribute name="Expression" type="xs:string"/>
      </xs:extension>
    </xs:complexContent>
  </xs:complexType>
  <xs:complexType name="KpiNumberFormatProperties">
    <xs:attribute name="Multiplier" type="xs:decimal" use="required"/>
    <xs:attribute name="FormatType" type="tns:FormatType" use="required"/>
    <xs:attribute name="CurrencySymbol" type="xs:string"/>

```

```

    <xs:attribute name="DecimalPlaces" type="xs:int" use="required"/>
    <xs:attribute name="NegativeSymbol" type="tns:FormatNegativeSymbol" use="required"/>
    <xs:attribute name="ShowZeroAs" type="xs:string"/>
    <xs:attribute name="UseThousandsSeparator" type="xs:boolean" use="required"/>
    <xs:attribute name="AdditionalTextLeft" type="xs:string"/>
    <xs:attribute name="AdditionalTextRight" type="xs:string"/>
  </xs:complexType>
  <xs:simpleType name="FormatType">
    <xs:restriction base="xs:string">
      <xs:enumeration value="Default"/>
      <xs:enumeration value="Number"/>
      <xs:enumeration value="Currency"/>
      <xs:enumeration value="Percentage"/>
      <xs:enumeration value="Unknown"/>
    </xs:restriction>
  </xs:simpleType>
  <xs:simpleType name="FormatNegativeSymbol">
    <xs:restriction base="xs:string">
      <xs:enumeration value="NegativeSign"/>
      <xs:enumeration value="Parenthesis"/>
    </xs:restriction>
  </xs:simpleType>
  <xs:complexType name="CalculatedFormulaInfo">
    <xs:sequence>
      <xs:element minOccurs="0" maxOccurs="1" name="AliasInfoCollection"
type="tns:ArrayOfAliasInfo"/>
    </xs:sequence>
    <xs:attribute name="Formula" type="xs:string"/>
  </xs:complexType>
  <xs:complexType name="ArrayOfAliasInfo">
    <xs:sequence>
      <xs:element minOccurs="0" maxOccurs="unbounded" name="AliasInfo" nillable="true"
type="tns:AliasInfo"/>
    </xs:sequence>
  </xs:complexType>
  <xs:complexType name="AliasInfo">
    <xs:sequence>
      <xs:element minOccurs="0" maxOccurs="1" name="AliasCalculationInfo"
type="tns:KpiMeasure"/>
    </xs:sequence>
    <xs:attribute name="AliasName" type="xs:string"/>
  </xs:complexType>
  <xs:simpleType name="AggregateTypeEnum">
    <xs:restriction base="xs:string">
      <xs:enumeration value="Default"/>
      <xs:enumeration value="Sum"/>
      <xs:enumeration value="Minimum"/>
      <xs:enumeration value="Maximum"/>
      <xs:enumeration value="Count"/>
      <xs:enumeration value="Average"/>
    </xs:restriction>
  </xs:simpleType>
  <xs:simpleType name="KpiPattern">
    <xs:restriction base="xs:string">
      <xs:enumeration value="IncreasingIsBetter"/>
      <xs:enumeration value="DecreasingIsBetter"/>
      <xs:enumeration value="CloserToTargetIsBetter"/>
    </xs:restriction>
  </xs:simpleType>
  <xs:simpleType name="ValueSources">
    <xs:restriction base="xs:string">
      <xs:enumeration value="Default"/>
      <xs:enumeration value="NoValue"/>
      <xs:enumeration value="SourceData"/>
      <xs:enumeration value="Text"/>
      <xs:enumeration value="AverageRollup"/>
      <xs:enumeration value="MinRollup"/>
      <xs:enumeration value="MaxRollup"/>
      <xs:enumeration value="TotalRollup"/>
    </xs:restriction>
  </xs:simpleType>

```

```

    </xs:restriction>
  </xs:simpleType>
  <xs:complexType name="Target">
    <xs:complexContent mixed="false">
      <xs:extension base="tns:KpiMeasure">
        <xs:sequence>
          <xs:element minOccurs="0" maxOccurs="1" name="IndicatorLocation"
type="tns:RepositoryLocation"/>
          <xs:element minOccurs="0" maxOccurs="1" name="StatedScore" type="tns:KpiMeasure"/>
          <xs:element minOccurs="0" maxOccurs="1" name="Banding" type="tns:Banding"/>
          <xs:element xmlns:q2="http://microsoft.com/wsd1/types/" minOccurs="1" maxOccurs="1"
name="RelatedActualId" type="q2:guid"/>
        </xs:sequence>
        <xs:attribute name="IsRollupScore" type="xs:boolean" use="required"/>
      </xs:extension>
    </xs:complexContent>
  </xs:complexType>
  <xs:complexType name="Banding">
    <xs:sequence>
      <xs:element minOccurs="0" maxOccurs="1" name="CustomBoundary"
type="tns:ArrayOfDecimal"/>
    </xs:sequence>
    <xs:attribute name="Type" type="tns:BandType" use="required"/>
    <xs:attribute name="BandValue" type="xs:string"/>
    <xs:attribute name="ActualWorst" type="xs:decimal" use="required"/>
    <xs:attribute name="SpreadMinimum" type="xs:decimal" use="required"/>
    <xs:attribute name="SpreadMaximum" type="xs:decimal" use="required"/>
  </xs:complexType>
  <xs:complexType name="ArrayOfDecimal">
    <xs:sequence>
      <xs:element minOccurs="0" maxOccurs="unbounded" name="decimal" type="xs:decimal"/>
    </xs:sequence>
  </xs:complexType>
  <xs:simpleType name="BandType">
    <xs:restriction base="xs:string">
      <xs:enumeration value="Normalized"/>
      <xs:enumeration value="Actual"/>
      <xs:enumeration value="StatedScore"/>
    </xs:restriction>
  </xs:simpleType>
  <xs:complexType name="DashboardElement" abstract="true">
    <xs:complexContent mixed="false">
      <xs:extension base="tns:SecondClassElement">
        <xs:sequence>
          <xs:element minOccurs="0" maxOccurs="1" name="Height"
type="tns:DashboardElementSize"/>
          <xs:element minOccurs="0" maxOccurs="1" name="Width"
type="tns:DashboardElementSize"/>
        </xs:sequence>
      </xs:extension>
    </xs:complexContent>
  </xs:complexType>
  <xs:complexType name="DashboardElementSize">
    <xs:attribute name="Measurement" type="xs:int" use="required"/>
    <xs:attribute name="Units" type="tns:SizeType" use="required"/>
  </xs:complexType>
  <xs:simpleType name="SizeType">
    <xs:restriction base="xs:string">
      <xs:enumeration value="AutoSize"/>
      <xs:enumeration value="Absolute"/>
      <xs:enumeration value="Percent"/>
    </xs:restriction>
  </xs:simpleType>
  <xs:complexType name="DashboardItem">
    <xs:complexContent mixed="false">
      <xs:extension base="tns:DashboardElement">
        <xs:sequence>
          <xs:element minOccurs="0" maxOccurs="1" name="InboundParameters"
type="tns:ArrayOfParameterMapping"/>
        </xs:sequence>
      </xs:extension>
    </xs:complexContent>
  </xs:complexType>

```

```

        <xs:element minOccurs="0" maxOccurs="1" name="UnderlyingElementLocation"
type="tns:RepositoryLocation"/>
    </xs:sequence>
    <xs:attribute name="UnderlyingElementTypeName" type="xs:string"/>
    <xs:attribute name="AutoSizeWidth" type="xs:boolean" use="required"/>
    <xs:attribute name="AutoSizeHeight" type="xs:boolean" use="required"/>
</xs:extension>
</xs:complexContent>
</xs:complexType>
<xs:complexType name="ArrayOfParameterMapping">
    <xs:sequence>
        <xs:element minOccurs="0" maxOccurs="unbounded" name="ParameterMapping" nillable="true"
type="tns:ParameterMapping"/>
    </xs:sequence>
</xs:complexType>
<xs:complexType name="ParameterMapping">
    <xs:sequence>
        <xs:element minOccurs="0" maxOccurs="1" name="ConditionalData">
            <xs:complexType>
                <xs:sequence>
                    <xs:any minOccurs="0" maxOccurs="unbounded"
namespace="http://www.w3.org/2001/XMLSchema" processContents="lax"/>
                    <xs:any minOccurs="1" namespace="urn:schemas-microsoft-com:xml-diffgram-v1"
processContents="lax"/>
                </xs:sequence>
            </xs:complexType>
        </xs:element>
    </xs:sequence>
    <xs:attribute name="EndPointUniqueName" type="xs:string"/>
    <xs:attribute xmlns:q2="http://microsoft.com/wsdl/types/" name="Id" type="q2:guid"
use="required"/>
    <xs:attribute name="SourceColumnName" type="xs:string"/>
    <xs:attribute xmlns:q2="http://microsoft.com/wsdl/types/" name="DashboardItemId"
type="q2:guid" use="required"/>
    <xs:attribute name="ParameterUniqueName" type="xs:string"/>
    <xs:attribute name="PostFormula" type="xs:string"/>
    <xs:attribute name="IsConditionalDataEnabled" type="xs:boolean" use="required"/>
    <xs:attribute name="IsDefaultVisibility" type="xs:boolean" use="required"/>
</xs:complexType>
<xs:complexType name="DashboardElementContainer">
    <xs:complexContent mixed="false">
        <xs:extension base="tns:DashboardElement">
            <xs:sequence>
                <xs:element minOccurs="0" maxOccurs="1" name="DashboardElements"
type="tns:ArrayOfDashboardElement"/>
            </xs:sequence>
            <xs:attribute name="Orientation" type="tns:LayoutOrientation" use="required"/>
        </xs:extension>
    </xs:complexContent>
</xs:complexType>
<xs:complexType name="ArrayOfDashboardElement">
    <xs:sequence>
        <xs:element minOccurs="0" maxOccurs="unbounded" name="DashboardElement" nillable="true"
type="tns:DashboardElement"/>
    </xs:sequence>
</xs:complexType>
<xs:simpleType name="LayoutOrientation">
    <xs:restriction base="xs:string">
        <xs:enumeration value="HorizontalLeftJustified"/>
        <xs:enumeration value="HorizontalRightJustified"/>
        <xs:enumeration value="VerticalBottomJustified"/>
        <xs:enumeration value="VerticalTopJustified"/>
        <xs:enumeration value="Stacked"/>
        <xs:enumeration value="Hidden"/>
    </xs:restriction>
</xs:simpleType>
<xs:complexType name="ConfiguredView">
    <xs:complexContent mixed="false">
        <xs:extension base="tns:SecondClassElement">

```

```

        <xs:sequence>
          <xs:element minOccurs="0" maxOccurs="unbounded" name="StatusFilters"
type="tns:StatusFilter"/>
          <xs:element minOccurs="0" maxOccurs="1" name="ToolbarOptions"
type="tns:ToolbarOptions"/>
          <xs:element minOccurs="0" maxOccurs="1" name="DataSourceLocation"
type="tns:RepositoryLocation"/>
          <xs:element minOccurs="0" maxOccurs="1" name="GridViewDefinition"
type="tns:GridViewDefinition"/>
        </xs:sequence>
        <xs:attribute name="AllowStatusFilter" type="xs:boolean" use="required"/>
        <xs:attribute name="AllowFilter" type="xs:boolean" use="required"/>
        <xs:attribute name="AllowSort" type="xs:boolean" use="required"/>
        <xs:attribute name="AllowAnnotations" type="xs:boolean" use="required"/>
        <xs:attribute name="EmptyRowsFilterMode" type="tns:ScorecardEmptyRowsFilterMode"
use="required"/>
        <xs:attribute name="AllowShowDetails" type="xs:boolean" use="required"/>
        <xs:attribute name="EnableTextwrap" type="xs:boolean" use="required"/>
        <xs:attribute name="AllowDynamicRowMemberExpansion" type="xs:boolean"
use="required"/>
        <xs:attribute name="AllowDynamicColumnMemberExpansion" type="xs:boolean"
use="required"/>
        <xs:attribute name="AllowRowDrill" type="xs:boolean" use="required"/>
        <xs:attribute name="AllowColumnDrill" type="xs:boolean" use="required"/>
        <xs:attribute name="AlwaysShowAnnotationCellFlags" type="xs:boolean" use="required"/>
        <xs:attribute name="ExpandToFitWidth" type="xs:boolean" use="required"/>
        <xs:attribute name="HideScorecard" type="xs:boolean" use="required"/>
        <xs:attribute name="ShowStatusFiltersByDefault" type="xs:boolean" use="required"/>
      </xs:extension>
    </xs:complexContent>
  </xs:complexType>
  <xs:complexType name="StatusFilter">
    <xs:attribute xmlns:q2="http://microsoft.com/wsdl/types/" name="IndicatorLocationGuid"
type="q2:guid" use="required"/>
    <xs:attribute name="BandIndex" type="xs:int" use="required"/>
  </xs:complexType>
  <xs:complexType name="ToolbarOptions">
    <xs:attribute name="ShowInlineText" type="xs:boolean" use="required"/>
    <xs:attribute name="ShowToolbar" type="xs:boolean" use="required"/>
    <xs:attribute name="ShowStatusFilter" type="xs:boolean" use="required"/>
    <xs:attribute name="ShowToolTips" type="xs:boolean" use="required"/>
    <xs:attribute name="ShowCollapse" type="xs:boolean" use="required"/>
    <xs:attribute name="ShowMode" type="xs:boolean" use="required"/>
    <xs:attribute name="ShowExpand" type="xs:boolean" use="required"/>
    <xs:attribute name="ShowToolbarItemsLabel" type="xs:boolean" use="required"/>
    <xs:attribute name="ShowDefaultRollup" type="xs:boolean" use="required"/>
    <xs:attribute name="ShowWorstChildRollup" type="xs:boolean" use="required"/>
    <xs:attribute name="ShowIndicatorCount" type="xs:boolean" use="required"/>
  </xs:complexType>
  <xs:complexType name="GridViewDefinition">
    <xs:sequence>
      <xs:element minOccurs="0" maxOccurs="1" name="CornerCellFormatInfo"
type="tns:GridFormatInfo"/>
      <xs:element minOccurs="0" maxOccurs="1" name="RootRowHeader"
type="tns:GridHeaderItem"/>
      <xs:element minOccurs="0" maxOccurs="1" name="RootColumnHeader"
type="tns:GridHeaderItem"/>
      <xs:element xmlns:q2="http://microsoft.com/wsdl/types/" minOccurs="1" maxOccurs="1"
name="DefaultRollupIndicatorId" type="q2:guid"/>
      <xs:element minOccurs="0" maxOccurs="1" name="DefaultRollupIndicatorLocation"
type="tns:RepositoryLocation"/>
      <xs:element minOccurs="0" maxOccurs="unbounded" name="PreQueryTransforms"
type="tns:GridViewTransformReference"/>
      <xs:element minOccurs="0" maxOccurs="unbounded" name="PostQueryTransforms"
type="tns:GridViewTransformReference"/>
      <xs:element minOccurs="0" maxOccurs="unbounded" name="PreRenderTransforms"
type="tns:GridViewTransformReference"/>
      <xs:element minOccurs="0" maxOccurs="unbounded" name="PerUserTransforms"
type="tns:GridViewTransformReference"/>
    </xs:sequence>
  </xs:complexType>

```

```

    <xs:element minOccurs="0" maxOccurs="1" name="CellBorderColor" type="tns:GridColor"/>
  </xs:sequence>
  <xs:attribute name="EmptyCell" type="xs:string"/>
  <xs:attribute name="InvalidCell" type="xs:string"/>
  <xs:attribute name="ShowGridLines" type="xs:boolean" use="required"/>
  <xs:attribute name="ShowHiddenHeaders" type="xs:boolean" use="required"/>
  <xs:attribute name="ShowMetricHeaders" type="xs:boolean" use="required"/>
  <xs:attribute name="ShowPlusMinus" type="xs:boolean" use="required"/>
</xs:complexType>
<xs:complexType name="GridFormatInfo">
  <xs:sequence>
    <xs:element minOccurs="0" maxOccurs="1" name="FontInfo" type="tns:GridFontInfo"/>
    <xs:element minOccurs="0" maxOccurs="1" name="ForeColor" type="tns:GridColor"/>
    <xs:element minOccurs="0" maxOccurs="1" name="BackColor" type="tns:GridColor"/>
  </xs:sequence>
  <xs:attribute name="TextWrap" type="tns:Trinary" use="required"/>
  <xs:attribute name="VerticalAlignment" type="tns:VerticalAlignments" use="required"/>
  <xs:attribute name="HorizontalAlignment" type="tns:HorizontalAlignments" use="required"/>
</xs:complexType>
<xs:complexType name="GridFontInfo">
  <xs:attribute name="FamilyName" type="xs:string"/>
  <xs:attribute name="SizeInPoints" type="xs:float" use="required"/>
  <xs:attribute name="Bold" type="tns:Trinary" use="required"/>
  <xs:attribute name="Italic" type="tns:Trinary" use="required"/>
  <xs:attribute name="Underline" type="tns:Trinary" use="required"/>
  <xs:attribute name="Strikeout" type="tns:Trinary" use="required"/>
</xs:complexType>
<xs:simpleType name="Trinary">
  <xs:restriction base="xs:string">
    <xs:enumeration value="Undefined"/>
    <xs:enumeration value="False"/>
    <xs:enumeration value="True"/>
  </xs:restriction>
</xs:simpleType>
<xs:complexType name="GridColor">
  <xs:attribute name="A" type="xs:unsignedByte" use="required"/>
  <xs:attribute name="R" type="xs:unsignedByte" use="required"/>
  <xs:attribute name="G" type="xs:unsignedByte" use="required"/>
  <xs:attribute name="B" type="xs:unsignedByte" use="required"/>
</xs:complexType>
<xs:simpleType name="VerticalAlignments">
  <xs:restriction base="xs:string">
    <xs:enumeration value="Undefined"/>
    <xs:enumeration value="Top"/>
    <xs:enumeration value="Middle"/>
    <xs:enumeration value="Bottom"/>
  </xs:restriction>
</xs:simpleType>
<xs:simpleType name="HorizontalAlignments">
  <xs:restriction base="xs:string">
    <xs:enumeration value="Undefined"/>
    <xs:enumeration value="Left"/>
    <xs:enumeration value="Center"/>
    <xs:enumeration value="Right"/>
  </xs:restriction>
</xs:simpleType>
<xs:complexType name="GridHeaderItem">
  <xs:sequence>
    <xs:element minOccurs="0" maxOccurs="1" name="HeaderFormatInfo"
type="tns:GridFormatInfo"/>
    <xs:element minOccurs="0" maxOccurs="1" name="CellFormatInfo"
type="tns:GridFormatInfo"/>
    <xs:element minOccurs="0" maxOccurs="1" name="Children"
type="tns:ArrayOfGridHeaderItem"/>
    <xs:element minOccurs="0" maxOccurs="1" name="SerializeTag"/>
    <xs:element minOccurs="0" maxOccurs="1" name="DimensionMember" type="tns:Member"/>
    <xs:element minOccurs="0" maxOccurs="1" name="OverrideIndicatorLocation"
type="tns:RepositoryLocation"/>
    <xs:element minOccurs="0" maxOccurs="1" name="Banding" type="tns:Banding"/>
  </xs:sequence>

```

```

    <xs:element minOccurs="0" maxOccurs="1" name="LinkedKpiLocation"
type="tns:RepositoryLocation"/>
    <xs:element minOccurs="0" maxOccurs="1" name="BpmProperties"
type="tns:ArrayOfBpmProperty"/>
    <xs:element minOccurs="0" maxOccurs="1" name="TargetSettings"
type="tns:GridTargetSettings"/>
    <xs:element minOccurs="0" maxOccurs="1" name="TrendIndicatorLocation"
type="tns:RepositoryLocation"/>
</xs:sequence>
<xs:attribute name="Id" type="xs:int" use="required"/>
<xs:attribute xmlns:q2="http://microsoft.com/wsdl/types/" name="Guid" type="q2:guid"
use="required"/>
<xs:attribute xmlns:q2="http://microsoft.com/wsdl/types/" name="DefinitionGuid"
type="q2:guid" use="required"/>
<xs:attribute name="DisplayText" type="xs:string"/>
<xs:attribute name="DimensionName" type="xs:string"/>
<xs:attribute name="DimensionValue" type="xs:string"/>
<xs:attribute name="HeaderType" type="tns:ScorecardNodeTypes" use="required"/>
<xs:attribute name="GroupId" type="xs:int" use="required"/>
<xs:attribute name="Depth" type="xs:int" use="required"/>
<xs:attribute name="DescendantSpan" type="xs:int" use="required"/>
<xs:attribute name="LeafSpan" type="xs:int" use="required"/>
<xs:attribute name="IsCollapsed" type="xs:boolean" use="required"/>
<xs:attribute name="IsDynamicCellExpansionEnabled" type="xs:boolean" use="required"/>
<xs:attribute name="IsDrillEnabled" type="xs:boolean" use="required"/>
<xs:attribute name="IsDrillDownDisabled" type="xs:boolean" use="required"/>
<xs:attribute name="IsDrillUpDisabled" type="xs:boolean" use="required"/>
<xs:attribute name="IsDynamicallyExpandedHeader" type="xs:boolean" use="required"/>
<xs:attribute name="IsCellHidden" type="xs:boolean" use="required"/>
<xs:attribute name="IsPathHidden" type="xs:boolean" use="required"/>
<xs:attribute name="IsHiddenBasedOnFilterStatus" type="xs:boolean" use="required"/>
<xs:attribute name="NamedSetExpression" type="xs:string"/>
<xs:attribute name="CustomSetFormula" type="xs:string"/>
<xs:attribute name="IsNamedSetInError" type="xs:boolean" use="required"/>
<xs:attribute name="IsNamedSetEmpty" type="xs:boolean" use="required"/>
<xs:attribute name="NamedSetType" type="tns:ScorecardNamedSetType" use="required"/>
<xs:attribute name="UseLinkedElementDisplayText" type="xs:boolean" use="required"/>
<xs:attribute name="Hyperlink" type="xs:string"/>
<xs:attribute name="ShowHyperlinkInNewWindow" type="xs:boolean" use="required"/>
<xs:attribute name="IsHierarchyHeader" type="xs:boolean" use="required"/>
<xs:attribute name="IsColumnHeader" type="xs:boolean" use="required"/>
<xs:attribute name="AppendFilterInfoToHyperlink" type="xs:boolean" use="required"/>
<xs:attribute name="Weight" type="xs:decimal" use="required"/>
<xs:attribute name="KpiTargetName" type="xs:string"/>
<xs:attribute name="AggregationType" type="tns:HeaderAggregationTypes" use="required"/>
</xs:complexType>
<xs:complexType name="ArrayOfGridHeaderItem">
  <xs:sequence>
    <xs:element minOccurs="0" maxOccurs="unbounded" name="GridHeaderItem" nillable="true"
type="tns:GridHeaderItem"/>
  </xs:sequence>
</xs:complexType>
<xs:complexType name="GridTargetSettings">
  <xs:sequence>
    <xs:element minOccurs="0" maxOccurs="1" name="VarianceSettings"
type="tns:GridVarianceSettings"/>
    <xs:element minOccurs="1" maxOccurs="1" name="FilterEmptyRows" type="xs:boolean"/>
    <xs:element minOccurs="1" maxOccurs="1" name="Position" type="tns:DataValuePosition"/>
    <xs:element minOccurs="1" maxOccurs="1" name="PositionActual"
type="tns:DataValuePosition"/>
    <xs:element minOccurs="0" maxOccurs="1" name="ScoreSettings"
type="tns:GridScoreSettings"/>
    <xs:element minOccurs="0" maxOccurs="1" name="IndicatorSettings"
type="tns:GridIndicatorSettings"/>
  </xs:sequence>
  <xs:attribute name="ShowValue" type="xs:boolean" use="required"/>
  <xs:attribute name="ShowActualAsTarget" type="xs:boolean" use="required"/>
  <xs:attribute name="IgnoreScoreFilter" type="xs:boolean" use="required"/>
</xs:complexType>

```

```

<xs:complexType name="GridVarianceSettings">
  <xs:attribute name="NumDecimalPlaces" type="xs:int" use="required"/>
  <xs:attribute name="VarianceType" type="tns:VarianceType" use="required"/>
  <xs:attribute name="DisplayType" type="tns:VarianceDisplayType" use="required"/>
  <xs:attribute name="ShowValue" type="xs:boolean" use="required"/>
  <xs:attribute name="Position" type="tns:DataValuePosition" use="required"/>
</xs:complexType>
<xs:simpleType name="VarianceType">
  <xs:restriction base="xs:string">
    <xs:enumeration value="VarianceToTarget"/>
    <xs:enumeration value="VarianceToBestTarget"/>
  </xs:restriction>
</xs:simpleType>
<xs:simpleType name="VarianceDisplayType">
  <xs:restriction base="xs:string">
    <xs:enumeration value="ShowPercent"/>
    <xs:enumeration value="ShowValue"/>
    <xs:enumeration value="ShowInvertedPercent"/>
  </xs:restriction>
</xs:simpleType>
<xs:simpleType name="DataValuePosition">
  <xs:restriction base="xs:string">
    <xs:enumeration value="Left"/>
    <xs:enumeration value="Right"/>
    <xs:enumeration value="NotDisplayed"/>
  </xs:restriction>
</xs:simpleType>
<xs:complexType name="GridScoreSettings">
  <xs:attribute name="ShowValue" type="xs:boolean" use="required"/>
  <xs:attribute name="ScoreType" type="tns:ScoreTypes" use="required"/>
  <xs:attribute name="RollupType" type="tns:RollupTypes" use="required"/>
  <xs:attribute name="Position" type="tns:DataValuePosition" use="required"/>
</xs:complexType>
<xs:simpleType name="ScoreTypes">
  <xs:restriction base="xs:string">
    <xs:enumeration value="Normalized"/>
    <xs:enumeration value="Raw"/>
  </xs:restriction>
</xs:simpleType>
<xs:simpleType name="RollupTypes">
  <xs:restriction base="xs:string">
    <xs:enumeration value="None"/>
    <xs:enumeration value="AverageWeighted"/>
    <xs:enumeration value="WorstChild"/>
    <xs:enumeration value="IndicatorCount"/>
  </xs:restriction>
</xs:simpleType>
<xs:complexType name="GridIndicatorSettings">
  <xs:sequence>
    <xs:element minOccurs="1" maxOccurs="1" name="Position" type="tns:IndicatorPosition"/>
  </xs:sequence>
  <xs:attribute name="ShowImage" type="xs:boolean" use="required"/>
  <xs:attribute name="ShowText" type="xs:boolean" use="required"/>
  <xs:attribute name="ShowForeColor" type="xs:boolean" use="required"/>
  <xs:attribute name="ShowBackColor" type="xs:boolean" use="required"/>
</xs:complexType>
<xs:simpleType name="IndicatorPosition">
  <xs:restriction base="xs:string">
    <xs:enumeration value="Left"/>
    <xs:enumeration value="Right"/>
    <xs:enumeration value="Center"/>
    <xs:enumeration value="NotDisplayed"/>
  </xs:restriction>
</xs:simpleType>
<xs:simpleType name="ScorecardNodeTypes">
  <xs:list>
    <xs:simpleType>
      <xs:restriction base="xs:string">
        <xs:enumeration value="None"/>
      </xs:restriction>
    </xs:simpleType>
  </xs:list>
</xs:simpleType>

```



```

        <xs:enumeration value="Member"/>
        <xs:enumeration value="Kpi"/>
        <xs:enumeration value="KpiActual"/>
        <xs:enumeration value="KpiTarget"/>
        <xs:enumeration value="ScorecardDetails"/>
        <xs:enumeration value="DocumentLinks"/>
        <xs:enumeration value="NamedSet"/>
        <xs:enumeration value="Aggregate"/>
    </xs:restriction>
</xs:simpleType>
</xs:list>
</xs:simpleType>
<xs:simpleType name="ScorecardNamedSetType">
    <xs:list>
        <xs:simpleType>
            <xs:restriction base="xs:string">
                <xs:enumeration value="None"/>
                <xs:enumeration value="NamedSet"/>
                <xs:enumeration value="CustomFormula"/>
                <xs:enumeration value="TimeFormula"/>
            </xs:restriction>
        </xs:simpleType>
    </xs:list>
</xs:simpleType>
<xs:simpleType name="HeaderAggregationTypes">
    <xs:restriction base="xs:string">
        <xs:enumeration value="None"/>
        <xs:enumeration value="Sum"/>
        <xs:enumeration value="Average"/>
        <xs:enumeration value="Min"/>
        <xs:enumeration value="Max"/>
        <xs:enumeration value="Trend"/>
    </xs:restriction>
</xs:simpleType>
<xs:complexType name="GridViewTransformReference">
    <xs:sequence>
        <xs:element minOccurs="0" maxOccurs="1" name="Parameters" type="tns:PropertyBag"/>
    </xs:sequence>
    <xs:attribute name="Id" type="xs:string"/>
</xs:complexType>
<xs:complexType name="PropertyBag">
    <xs:sequence>
        <xs:element minOccurs="0" maxOccurs="1" name="Keys" type="tns:ArrayOfString"/>
        <xs:element minOccurs="0" maxOccurs="1" name="Values" type="tns:ArrayOfChoice1"/>
    </xs:sequence>
</xs:complexType>
<xs:complexType name="ArrayOfChoice1">
    <xs:choice minOccurs="0" maxOccurs="unbounded">
        <xs:element minOccurs="1" maxOccurs="1" name="ArrayOfMember" nillable="true"
type="tns:ArrayOfMember"/>
        <xs:element minOccurs="1" maxOccurs="1" name="int" type="xs:int"/>
        <xs:element minOccurs="1" maxOccurs="1" name="string" nillable="true"
type="xs:string"/>
        <xs:element minOccurs="1" maxOccurs="1" name="dateTime" type="xs:dateTime"/>
        <xs:element xmlns:q2="http://microsoft.com/wsdl/types/" minOccurs="1" maxOccurs="1"
name="guid" type="q2:guid"/>
        <xs:element minOccurs="1" maxOccurs="1" name="ArrayOfString" nillable="true"
type="tns:ArrayOfString"/>
        <xs:element minOccurs="1" maxOccurs="1" name="ArrayOfMemberTransform" nillable="true"
type="tns:ArrayOfMemberTransform"/>
        <xs:element minOccurs="1" maxOccurs="1" name="decimal" type="xs:decimal"/>
        <xs:element minOccurs="1" maxOccurs="1" name="double" type="xs:double"/>
        <xs:element xmlns:q2="http://microsoft.com/wsdl/types/" minOccurs="1" maxOccurs="1"
name="char" type="q2:char"/>
    </xs:choice>
</xs:complexType>
<xs:complexType name="ArrayOfMember">
    <xs:sequence>

```

```

        <xs:element minOccurs="0" maxOccurs="unbounded" name="Member" nillable="true"
type="tns:Member"/>
    </xs:sequence>
</xs:complexType>
<xs:complexType name="ArrayOfMemberTransform">
    <xs:sequence>
        <xs:element minOccurs="0" maxOccurs="unbounded" name="MemberTransform" nillable="true"
type="tns:MemberTransform"/>
    </xs:sequence>
</xs:complexType>
<xs:complexType name="MemberTransform">
    <xs:sequence>
        <xs:element minOccurs="0" maxOccurs="1" name="GroupId" type="xs:string"/>
        <xs:element minOccurs="0" maxOccurs="1" name="CellPath" type="xs:string"/>
        <xs:element minOccurs="1" maxOccurs="1" name="Type" type="tns:MemberTransformType"/>
        <xs:element minOccurs="1" maxOccurs="1" name="Operation"
type="tns:MemberTransformOperation"/>
        <xs:element minOccurs="0" maxOccurs="1" name="CustomData" type="xs:string"/>
    </xs:sequence>
</xs:complexType>
<xs:simpleType name="MemberTransformType">
    <xs:restriction base="xs:string">
        <xs:enumeration value="Row"/>
        <xs:enumeration value="Column"/>
    </xs:restriction>
</xs:simpleType>
<xs:simpleType name="MemberTransformOperation">
    <xs:restriction base="xs:string">
        <xs:enumeration value="Replace"/>
        <xs:enumeration value="DrillUp"/>
        <xs:enumeration value="DrillDown"/>
        <xs:enumeration value="Expand"/>
    </xs:restriction>
</xs:simpleType>
<xs:simpleType name="ScorecardEmptyRowsFilterMode">
    <xs:restriction base="xs:string">
        <xs:enumeration value="None"/>
        <xs:enumeration value="AllValuesAreEmpty"/>
    </xs:restriction>
</xs:simpleType>
<xs:complexType name="ElementVersion">
    <xs:attribute name="Major" type="xs:int" use="required"/>
    <xs:attribute name="Minor" type="xs:int" use="required"/>
</xs:complexType>
<xs:complexType name="Kpi">
    <xs:complexContent mixed="false">
        <xs:extension base="tns:FirstClassElement">
            <xs:sequence>
                <xs:element minOccurs="0" maxOccurs="1" name="Actuals"
type="tns:ArrayOfKpiMeasure"/>
                <xs:element minOccurs="0" maxOccurs="1" name="Targets" type="tns:ArrayOfTarget"/>
            </xs:sequence>
        </xs:extension>
    </xs:complexContent>
</xs:complexType>
<xs:complexType name="ArrayOfKpiMeasure">
    <xs:sequence>
        <xs:element minOccurs="0" maxOccurs="unbounded" name="KpiMeasure" nillable="true"
type="tns:KpiMeasure"/>
    </xs:sequence>
</xs:complexType>
<xs:complexType name="ArrayOfTarget">
    <xs:sequence>
        <xs:element minOccurs="0" maxOccurs="unbounded" name="Target" nillable="true"
type="tns:Target"/>
    </xs:sequence>
</xs:complexType>
<xs:complexType name="DataSource">
    <xs:complexContent mixed="false">

```

```

    <xs:extension base="tns:FirstClassElement">
      <xs:sequence>
        <xs:element minOccurs="0" maxOccurs="1" name="CustomData" type="xs:string"/>
        <xs:element minOccurs="0" maxOccurs="1" name="CustomTimeIntelligenceSettings"
type="xs:string"/>
        <xs:element minOccurs="0" maxOccurs="1" name="DataTableMapping"
type="tns:DataTableMapping"/>
      </xs:sequence>
      <xs:attribute name="SourceName" type="xs:string"/>
      <xs:attribute name="ServerName" type="xs:string"/>
      <xs:attribute name="DatabaseName" type="xs:string"/>
      <xs:attribute name="CubeName" type="xs:string"/>
      <xs:attribute name="CubeDisplayName" type="xs:string"/>
      <xs:attribute name="FormattingDimensionName" type="xs:string"/>
      <xs:attribute name="FormattingDimensionDisplayName" type="xs:string"/>
      <xs:attribute name="FormattingDimensionType" type="tns:DimensionTypeEnum"
use="required"/>
      <xs:attribute name="ConnectionString" type="xs:string"/>
      <xs:attribute name="Roles" type="xs:string"/>
      <xs:attribute name="UseConnectionString" type="xs:boolean" use="required"/>
      <xs:attribute name="ConnectionContext" type="tns:ConnectionContext" use="required"/>
      <xs:attribute name="PassUserNameAsAdomdCustomData" type="xs:boolean" use="required"/>
      <xs:attribute name="ReadOnly" type="xs:boolean" use="required"/>
      <xs:attribute name="MinutesToCache" type="xs:int" use="required"/>
      <xs:attribute name="ServerMajorVersion" type="xs:int" use="required"/>
      <xs:attribute name="SubTypeId" type="xs:string"/>
      <xs:attribute name="TargetApplicationId" type="xs:string"/>
    </xs:extension>
  </xs:complexContent>
</xs:complexType>
<xs:complexType name="DataTableMapping">
  <xs:sequence>
    <xs:element minOccurs="0" maxOccurs="1" name="ColumnMappings"
type="tns:ArrayOfDataColumnMapping"/>
    <xs:element minOccurs="0" maxOccurs="1" name="MasterTimeColumn"
type="tns:DataColumnMapping"/>
  </xs:sequence>
  <xs:attribute name="DateAggregationType" type="tns:DateAggregationTypes" use="required"/>
  <xs:attribute name="CalendarStartMonth" type="xs:int" use="required"/>
</xs:complexType>
<xs:complexType name="ArrayOfDataColumnMapping">
  <xs:sequence>
    <xs:element minOccurs="0" maxOccurs="unbounded" name="DataColumnMapping"
nillable="true" type="tns:DataColumnMapping"/>
  </xs:sequence>
</xs:complexType>
<xs:complexType name="DataColumnMapping">
  <xs:attribute name="UniqueName" type="xs:string"/>
  <xs:attribute name="KeyColumnName" type="xs:string"/>
  <xs:attribute name="SourceColumnName" type="xs:string"/>
  <xs:attribute name="FriendlyColumnName" type="xs:string"/>
  <xs:attribute name="ColumnType" type="tns:MappedColumnTypes" use="required"/>
  <xs:attribute name="FactAggregation" type="tns:FactAggregations" use="required"/>
  <xs:attribute name="ColumnDataType" type="tns:MappedColumnDataTypes" use="required"/>
</xs:complexType>
<xs:simpleType name="MappedColumnTypes">
  <xs:restriction base="xs:string">
    <xs:enumeration value="Ignore"/>
    <xs:enumeration value="Fact"/>
    <xs:enumeration value="Dimension"/>
    <xs:enumeration value="TimeDimension"/>
    <xs:enumeration value="Key"/>
  </xs:restriction>
</xs:simpleType>
<xs:simpleType name="FactAggregations">
  <xs:restriction base="xs:string">
    <xs:enumeration value="Average"/>
    <xs:enumeration value="Count"/>
    <xs:enumeration value="Max"/>
  </xs:restriction>
</xs:simpleType>

```

```

    <xs:enumeration value="Min"/>
    <xs:enumeration value="None"/>
    <xs:enumeration value="StDev"/>
    <xs:enumeration value="Sum"/>
    <xs:enumeration value="Variance"/>
    <xs:enumeration value="FirstOccurance"/>
  </xs:restriction>
</xs:simpleType>
<xs:simpleType name="MappedColumnDataTypes">
  <xs:restriction base="xs:string">
    <xs:enumeration value="NotSupported"/>
    <xs:enumeration value="Number"/>
    <xs:enumeration value="String"/>
    <xs:enumeration value="DateTime"/>
  </xs:restriction>
</xs:simpleType>
<xs:simpleType name="DateAggregationTypes">
  <xs:list>
    <xs:simpleType>
      <xs:restriction base="xs:string">
        <xs:enumeration value="None"/>
        <xs:enumeration value="Second"/>
        <xs:enumeration value="Minute"/>
        <xs:enumeration value="Hour"/>
        <xs:enumeration value="Day"/>
        <xs:enumeration value="Week"/>
        <xs:enumeration value="Month"/>
        <xs:enumeration value="Quarter"/>
        <xs:enumeration value="Year"/>
        <xs:enumeration value="Semester"/>
      </xs:restriction>
    </xs:simpleType>
  </xs:list>
</xs:simpleType>
<xs:simpleType name="ConnectionContext">
  <xs:restriction base="xs:string">
    <xs:enumeration value="ConnectAsUser"/>
    <xs:enumeration value="ConnectAsSharedUser"/>
    <xs:enumeration value="SecureStoreCredentials"/>
  </xs:restriction>
</xs:simpleType>
<xs:complexType name="Dashboard">
  <xs:complexContent mixed="false">
    <xs:extension base="tns:FirstClassElement">
      <xs:sequence>
        <xs:element minOccurs="0" maxOccurs="1" name="Pages"
type="tns:ArrayOfDashboardElement"/>
      </xs:sequence>
      <xs:attribute name="TemplateType" type="xs:string"/>
      <xs:attribute name="DeploymentPath" type="xs:string"/>
      <xs:attribute name="SitePath" type="xs:string"/>
      <xs:attribute name="MasterPagePath" type="xs:string"/>
      <xs:attribute name="MasterPageDisplayName" type="xs:string"/>
      <xs:attribute name="PageList" type="xs:string"/>
    </xs:extension>
  </xs:complexContent>
</xs:complexType>
<xs:complexType name="Scorecard">
  <xs:complexContent mixed="false">
    <xs:extension base="tns:FirstClassElement">
      <xs:sequence>
        <xs:element minOccurs="0" maxOccurs="1" name="ConfiguredViews"
type="tns:ArrayOfConfiguredView"/>
        <xs:element minOccurs="0" maxOccurs="1" name="EndPoints"
type="tns:ArrayOfEndPoint"/>
        <xs:element minOccurs="0" maxOccurs="1" name="BeginPoints"
type="tns:ArrayOfParameterDefinition"/>
      </xs:sequence>
      <xs:attribute name="RendererClassName" type="xs:string"/>
    </xs:extension>
  </xs:complexContent>
</xs:complexType>

```

```

        </xs:extension>
    </xs:complexContent>
</xs:complexType>
<xs:complexType name="ArrayOfConfiguredView">
    <xs:sequence>
        <xs:element minOccurs="0" maxOccurs="unbounded" name="ConfiguredView" nillable="true"
type="tns:ConfiguredView"/>
    </xs:sequence>
</xs:complexType>
<xs:complexType name="ArrayOfEndPoint">
    <xs:sequence>
        <xs:element minOccurs="0" maxOccurs="unbounded" name="EndPoint" nillable="true"
type="tns:EndPoint"/>
    </xs:sequence>
</xs:complexType>
<xs:complexType name="EndPoint">
    <xs:attribute name="Category" type="tns:EndPointCategory" use="required"/>
    <xs:attribute name="UniqueName" type="xs:string"/>
    <xs:attribute name="DisplayName" type="xs:string"/>
    <xs:attribute name="AcceptsMultipleFilterLinks" type="xs:boolean" use="required"/>
</xs:complexType>
<xs:simpleType name="EndPointCategory">
    <xs:restriction base="xs:string">
        <xs:enumeration value="None"/>
        <xs:enumeration value="Axis"/>
        <xs:enumeration value="ColumnHierarchy"/>
        <xs:enumeration value="RowHierarchy"/>
    </xs:restriction>
</xs:simpleType>
<xs:complexType name="ArrayOfParameterDefinition">
    <xs:sequence>
        <xs:element minOccurs="0" maxOccurs="unbounded" name="ParameterDefinition"
nillable="true" type="tns:ParameterDefinition"/>
    </xs:sequence>
</xs:complexType>
<xs:complexType name="ParameterDefinition">
    <xs:sequence>
        <xs:element minOccurs="0" maxOccurs="1" name="ParameterUniqueName" type="xs:string"/>
        <xs:element minOccurs="0" maxOccurs="1" name="DisplayValues">
            <xs:complexType>
                <xs:sequence>
                    <xs:any minOccurs="0" maxOccurs="unbounded"
namespace="http://www.w3.org/2001/XMLSchema" processContents="lax"/>
                    <xs:any minOccurs="1" namespace="urn:schemas-microsoft-com:xml-diffgram-v1"
processContents="lax"/>
                </xs:sequence>
            </xs:complexType>
        </xs:element>
        <xs:element minOccurs="0" maxOccurs="1" name="CustomDefinition" type="xs:string"/>
        <xs:element minOccurs="0" maxOccurs="1" name="ParameterProviderId" type="xs:string"/>
        <xs:element minOccurs="0" maxOccurs="1" name="DisplayName" type="xs:string"/>
        <xs:element minOccurs="1" maxOccurs="1" name="EmitterType"
type="tns:BeginPointEmitterType"/>
        <xs:element minOccurs="0" maxOccurs="1" name="KeyColumn" type="xs:string"/>
        <xs:element minOccurs="0" maxOccurs="1" name="ParentKeyColumn" type="xs:string"/>
        <xs:element minOccurs="0" maxOccurs="1" name="DisplayColumn" type="xs:string"/>
        <xs:element minOccurs="0" maxOccurs="1" name="IsDefaultColumn" type="xs:string"/>
        <xs:element minOccurs="0" maxOccurs="1" name="DefaultPostFormula" type="xs:string"/>
    </xs:sequence>
</xs:complexType>
<xs:simpleType name="BeginPointEmitterType">
    <xs:restriction base="xs:string">
        <xs:enumeration value="BothAConditionalVisibilityAndParameterEmitter"/>
        <xs:enumeration value="ConditionalVisibilityEmitter"/>
        <xs:enumeration value="ParameterEmitter"/>
    </xs:restriction>
</xs:simpleType>
<xs:complexType name="Indicator">
    <xs:complexContent mixed="false">

```

```

    <xs:extension base="tns:FirstClassElement">
      <xs:sequence>
        <xs:element minOccurs="0" maxOccurs="1" name="NoDataIndicatorBand"
type="tns:IndicatorBand"/>
        <xs:element minOccurs="0" maxOccurs="1" name="IndicatorBands"
type="tns:ArrayOfIndicatorBand"/>
      </xs:sequence>
      <xs:attribute name="IndicatorType" type="tns:IndicatorType" use="required"/>
      <xs:attribute name="IsBuiltIn" type="xs:boolean" use="required"/>
    </xs:extension>
  </xs:complexContent>
</xs:complexType>
<xs:complexType name="IndicatorBand">
  <xs:sequence>
    <xs:element minOccurs="0" maxOccurs="1" name="ImageData" type="xs:string"/>
  </xs:sequence>
  <xs:attribute name="Color" type="xs:string"/>
  <xs:attribute name="BackColor" type="xs:string"/>
  <xs:attribute name="ToolTip" type="xs:string"/>
</xs:complexType>
<xs:complexType name="ArrayOfIndicatorBand">
  <xs:sequence>
    <xs:element minOccurs="0" maxOccurs="unbounded" name="IndicatorBand" nillable="true"
type="tns:IndicatorBand"/>
  </xs:sequence>
</xs:complexType>
<xs:simpleType name="IndicatorType">
  <xs:restriction base="xs:string">
    <xs:enumeration value="Standard"/>
    <xs:enumeration value="Centered"/>
  </xs:restriction>
</xs:simpleType>
<xs:complexType name="Filter">
  <xs:complexContent mixed="false">
    <xs:extension base="tns:FirstClassElement">
      <xs:sequence>
        <xs:element minOccurs="0" maxOccurs="1" name="BeginPoints"
type="tns:ArrayOfParameterDefinition"/>
        <xs:element minOccurs="0" maxOccurs="1" name="DataSourceLocation"
type="tns:RepositoryLocation"/>
        <xs:element minOccurs="0" maxOccurs="1" name="CustomData" type="xs:string"/>
        <xs:element minOccurs="0" maxOccurs="1" name="EndPoints"
type="tns:ArrayOfEndPoint"/>
      </xs:sequence>
      <xs:attribute name="SubTypeId" type="xs:string"/>
      <xs:attribute name="ReadOnly" type="xs:boolean" use="required"/>
      <xs:attribute name="SelectionMode" type="tns:FilterSelectionMode" use="required"/>
      <xs:attribute name="Visualization" type="xs:string"/>
      <xs:attribute name="RendererClassName" type="xs:string"/>
    </xs:extension>
  </xs:complexContent>
</xs:complexType>
<xs:simpleType name="FilterSelectionMode">
  <xs:restriction base="xs:string">
    <xs:enumeration value="SingleSelect"/>
    <xs:enumeration value="MultiSelect"/>
  </xs:restriction>
</xs:simpleType>
<xs:complexType name="ReportView">
  <xs:complexContent mixed="false">
    <xs:extension base="tns:FirstClassElement">
      <xs:sequence>
        <xs:element minOccurs="0" maxOccurs="1" name="ScorecardLocation"
type="tns:RepositoryLocation"/>
        <xs:element minOccurs="0" maxOccurs="1" name="CustomData" type="xs:string"/>
        <xs:element minOccurs="0" maxOccurs="1" name="EndPoints"
type="tns:ArrayOfEndPoint"/>
        <xs:element minOccurs="0" maxOccurs="1" name="BeginPoints"
type="tns:ArrayOfParameterDefinition"/>

```

```

        </xs:sequence>
        <xs:attribute name="TypeName" type="xs:string"/>
        <xs:attribute name="RenderClientSide" type="xs:boolean" use="required"/>
        <xs:attribute xmlns:q2="http://microsoft.com/wsdl/types/" name="ConfiguredViewId"
type="q2:guid" use="required"/>
        <xs:attribute name="SubTypeId" type="xs:string"/>
        <xs:attribute name="RendererClassName" type="xs:string"/>
    </xs:extension>
</xs:complexContent>
</xs:complexType>
<xs:element name="GetListItems">
    <xs:complexType>
        <xs:sequence>
            <xs:element minOccurs="0" maxOccurs="1" name="listUrl" type="xs:string"/>
        </xs:sequence>
    </xs:complexType>
</xs:element>
<xs:element name="GetListItemsResponse">
    <xs:complexType>
        <xs:sequence>
            <xs:element minOccurs="0" maxOccurs="1" name="GetListItemsResult"
type="tns:ArrayOfFirstClassElement"/>
        </xs:sequence>
    </xs:complexType>
</xs:element>
<xs:element name="DecompCreateNavigationList">
    <xs:complexType>
        <xs:sequence>
            <xs:element minOccurs="0" maxOccurs="1" name="navigationContext" type="xs:string"/>
            <xs:element minOccurs="0" maxOccurs="1" name="levelUniqueName" type="xs:string"/>
            <xs:element minOccurs="0" maxOccurs="1" name="itemUniqueName" type="xs:string"/>
        </xs:sequence>
    </xs:complexType>
</xs:element>
<xs:complexType name="DecompNavigationList">
    <xs:sequence>
        <xs:element minOccurs="0" maxOccurs="1" name="Groups"
type="tns:ArrayOfDecompNavigationGroup"/>
    </xs:sequence>
</xs:complexType>
<xs:complexType name="ArrayOfDecompNavigationGroup">
    <xs:sequence>
        <xs:element minOccurs="0" maxOccurs="unbounded" name="DecompNavigationGroup"
nillable="true" type="tns:DecompNavigationGroup"/>
    </xs:sequence>
</xs:complexType>
<xs:complexType name="DecompNavigationGroup">
    <xs:sequence>
        <xs:element minOccurs="0" maxOccurs="1" name="Name" type="xs:string"/>
        <xs:element minOccurs="0" maxOccurs="1" name="Caption" type="xs:string"/>
        <xs:element minOccurs="0" maxOccurs="1" name="Actions"
type="tns:ArrayOfDecompNavigationAction"/>
    </xs:sequence>
</xs:complexType>
<xs:complexType name="ArrayOfDecompNavigationAction">
    <xs:sequence>
        <xs:element minOccurs="0" maxOccurs="unbounded" name="DecompNavigationAction"
nillable="true" type="tns:DecompNavigationAction"/>
    </xs:sequence>
</xs:complexType>
<xs:complexType name="DecompNavigationAction">
    <xs:sequence>
        <xs:element minOccurs="0" maxOccurs="1" name="Name" type="xs:string"/>
        <xs:element minOccurs="0" maxOccurs="1" name="Caption" type="xs:string"/>
        <xs:element minOccurs="0" maxOccurs="1" name="ParentCaption" type="xs:string"/>
        <xs:element minOccurs="1" maxOccurs="1" name="Enabled" type="xs:boolean"/>
    </xs:sequence>
</xs:complexType>
<xs:element name="DecompCreateNavigationListResponse">

```

```

    <xs:complexType>
      <xs:sequence>
        <xs:element minOccurs="0" maxOccurs="1" name="DecompCreateNavigationListResult"
type="tns:DecompNavigationList"/>
      </xs:sequence>
    </xs:complexType>
  </xs:element>
  <xs:element name="DecompGetMemberProperties">
    <xs:complexType>
      <xs:sequence>
        <xs:element minOccurs="0" maxOccurs="1" name="navigationContext" type="xs:string"/>
        <xs:element minOccurs="0" maxOccurs="1" name="itemUniqueName" type="xs:string"/>
      </xs:sequence>
    </xs:complexType>
  </xs:element>
  <xs:complexType name="DecompMemberProperties">
    <xs:sequence>
      <xs:element minOccurs="0" maxOccurs="1" name="MemberName" type="xs:string"/>
      <xs:element minOccurs="0" maxOccurs="1" name="Properties"
type="tns:ArrayOfDecompMemberProperty"/>
    </xs:sequence>
  </xs:complexType>
  <xs:complexType name="ArrayOfDecompMemberProperty">
    <xs:sequence>
      <xs:element minOccurs="0" maxOccurs="unbounded" name="DecompMemberProperty"
nillable="true" type="tns:DecompMemberProperty"/>
    </xs:sequence>
  </xs:complexType>
  <xs:complexType name="DecompMemberProperty">
    <xs:sequence>
      <xs:element minOccurs="0" maxOccurs="1" name="Name" type="xs:string"/>
      <xs:element minOccurs="0" maxOccurs="1" name="Caption" type="xs:string"/>
      <xs:element minOccurs="0" maxOccurs="1" name="Value" type="xs:string"/>
    </xs:sequence>
  </xs:complexType>
  <xs:element name="DecompGetMemberPropertiesResponse">
    <xs:complexType>
      <xs:sequence>
        <xs:element minOccurs="0" maxOccurs="1" name="DecompGetMemberPropertiesResult"
type="tns:DecompMemberProperties"/>
      </xs:sequence>
    </xs:complexType>
  </xs:element>
  <xs:element name="DecompExpand">
    <xs:complexType>
      <xs:sequence>
        <xs:element minOccurs="0" maxOccurs="1" name="navigationContext" type="xs:string"/>
        <xs:element minOccurs="0" maxOccurs="1" name="queryParameters"
type="tns:DecompQueryParameters"/>
        <xs:element minOccurs="0" maxOccurs="1" name="levelUniqueName" type="xs:string"/>
        <xs:element minOccurs="0" maxOccurs="1" name="itemUniqueName" type="xs:string"/>
        <xs:element minOccurs="0" maxOccurs="1" name="navigationItemUniqueName"
type="xs:string"/>
      </xs:sequence>
    </xs:complexType>
  </xs:element>
  <xs:complexType name="DecompQueryParameters">
    <xs:sequence>
      <xs:element minOccurs="0" maxOccurs="1" name="SortType" type="xs:string"/>
      <xs:element minOccurs="0" maxOccurs="1" name="ClientState" type="xs:string"/>
    </xs:sequence>
  </xs:complexType>
  <xs:complexType name="DecompRenderResultRecord">
    <xs:sequence>
      <xs:element minOccurs="0" maxOccurs="1" name="Levels"
type="tns:ArrayOfDecompRenderResultLevel"/>
      <xs:element minOccurs="0" maxOccurs="1" name="MeasureCaption" type="xs:string"/>
      <xs:element minOccurs="0" maxOccurs="1" name="MeasureUniqueName" type="xs:string"/>
      <xs:element minOccurs="1" maxOccurs="1" name="MeasureIsAdditive" type="xs:boolean"/>
    </xs:sequence>
  </xs:complexType>

```



```

        <xs:element minOccurs="0" maxOccurs="1" name="NavigationContext" type="xs:string"/>
        <xs:element minOccurs="0" maxOccurs="1" name="ErrorMsg" type="xs:string"/>
        <xs:element minOccurs="0" maxOccurs="1" name="ErrorDetails" type="xs:string"/>
    </xs:sequence>
</xs:complexType>
<xs:complexType name="ArrayOfDecompRenderResultLevel">
    <xs:sequence>
        <xs:element minOccurs="0" maxOccurs="unbounded" name="DecompRenderResultLevel"
nillable="true" type="tns:DecompRenderResultLevel"/>
    </xs:sequence>
</xs:complexType>
<xs:complexType name="DecompRenderResultLevel">
    <xs:sequence>
        <xs:element minOccurs="0" maxOccurs="1" name="SortedBy" type="xs:string"/>
        <xs:element minOccurs="0" maxOccurs="1" name="HierarchyName" type="xs:string"/>
        <xs:element minOccurs="1" maxOccurs="1" name="TotalNodeCount" type="xs:int"/>
        <xs:element minOccurs="0" maxOccurs="1" name="UniqueName" type="xs:string"/>
        <xs:element minOccurs="0" maxOccurs="1" name="Caption" type="xs:string"/>
        <xs:element minOccurs="0" maxOccurs="1" name="Nodes"
type="tns:ArrayOfDecompRenderResultNode"/>
    </xs:sequence>
</xs:complexType>
<xs:complexType name="ArrayOfDecompRenderResultNode">
    <xs:sequence>
        <xs:element minOccurs="0" maxOccurs="unbounded" name="DecompRenderResultNode"
nillable="true" type="tns:DecompRenderResultNode"/>
    </xs:sequence>
</xs:complexType>
<xs:complexType name="DecompRenderResultNode">
    <xs:sequence>
        <xs:element minOccurs="1" maxOccurs="1" name="Value" type="xs:double"/>
        <xs:element minOccurs="0" maxOccurs="1" name="FormattedValue" type="xs:string"/>
        <xs:element minOccurs="1" maxOccurs="1" name="HasChildren" type="xs:boolean"/>
        <xs:element minOccurs="0" maxOccurs="1" name="UniqueName" type="xs:string"/>
        <xs:element minOccurs="0" maxOccurs="1" name="Caption" type="xs:string"/>
        <xs:element minOccurs="1" maxOccurs="1" name="BottomSumValue" type="xs:double"/>
        <xs:element minOccurs="0" maxOccurs="1" name="BottomSumFormattedValue"
type="xs:string"/>
        <xs:element minOccurs="1" maxOccurs="1" name="TopSumValue" type="xs:double"/>
        <xs:element minOccurs="0" maxOccurs="1" name="TopSumFormattedValue" type="xs:string"/>
    </xs:sequence>
</xs:complexType>
<xs:element name="DecompExpandResponse">
    <xs:complexType>
        <xs:sequence>
            <xs:element minOccurs="0" maxOccurs="1" name="DecompExpandResult"
type="tns:DecompRenderResultRecord"/>
        </xs:sequence>
    </xs:complexType>
</xs:element>
<xs:element name="GetReportViewImageData">
    <xs:complexType>
        <xs:sequence>
            <xs:element minOccurs="1" maxOccurs="1" name="proxyCacheAttempt" type="xs:boolean"/>
            <xs:element minOccurs="0" maxOccurs="1" name="externalkey" type="xs:string"/>
            <xs:element minOccurs="0" maxOccurs="1" name="tempFcoLocation"
type="tns:RepositoryLocation"/>
            <xs:element minOccurs="1" maxOccurs="1" name="height" type="xs:int"/>
            <xs:element minOccurs="1" maxOccurs="1" name="width" type="xs:int"/>
            <xs:element minOccurs="1" maxOccurs="1" name="colStart" type="xs:int"/>
            <xs:element minOccurs="1" maxOccurs="1" name="colCount" type="xs:int"/>
        </xs:sequence>
    </xs:complexType>
</xs:element>
<xs:element name="GetReportViewImageDataResponse">
    <xs:complexType>
        <xs:sequence>
            <xs:element minOccurs="1" maxOccurs="1" name="GetReportViewImageDataResult"
type="xs:boolean"/>

```

```

        <xs:element minOccurs="0" maxOccurs="1" name="key" type="xs:string"/>
        <xs:element minOccurs="1" maxOccurs="1" name="proxyCacheExpiration"
type="xs:dateTime"/>
        <xs:element minOccurs="0" maxOccurs="1" name="mimeType" type="xs:string"/>
        <xs:element minOccurs="0" maxOccurs="1" name="viewHtml" type="xs:string"/>
        <xs:element minOccurs="0" maxOccurs="1" name="bytesImageData"
type="xs:base64Binary"/>
    </xs:sequence>
</xs:complexType>
</xs:element>
<xs:element name="GetAnnotation">
    <xs:complexType>
        <xs:sequence>
            <xs:element minOccurs="0" maxOccurs="1" name="scorecardLocation"
type="tns:RepositoryLocation"/>
            <xs:element minOccurs="0" maxOccurs="1" name="tupleCollection"
type="tns:ArrayOfTuple"/>
            <xs:element minOccurs="0" maxOccurs="1" name="cellPath" type="xs:string"/>
        </xs:sequence>
    </xs:complexType>
</xs:element>
<xs:complexType name="ArrayOfTuple">
    <xs:sequence>
        <xs:element minOccurs="0" maxOccurs="unbounded" name="Tuple" nillable="true"
type="tns:Tuple"/>
    </xs:sequence>
</xs:complexType>
<xs:complexType name="Tuple">
    <xs:sequence>
        <xs:element minOccurs="0" maxOccurs="1" name="DimensionMembers"
type="tns:ArrayOfMember"/>
    </xs:sequence>
</xs:complexType>
<xs:complexType name="Annotation">
    <xs:sequence>
        <xs:element minOccurs="0" maxOccurs="1" name="Comments"
type="tns:ArrayOfAnnotationComment"/>
        <xs:element minOccurs="0" maxOccurs="1" name="Properties"
type="tns:ArrayOfBpmProperty"/>
        <xs:element minOccurs="0" maxOccurs="1" name="Owner" type="xs:string"/>
        <xs:element minOccurs="0" maxOccurs="1" name="LastUpdatedBy" type="xs:string"/>
        <xs:element minOccurs="0" maxOccurs="1" name="Slice" type="xs:string"/>
        <xs:element minOccurs="1" maxOccurs="1" name="CreatedOn" type="xs:dateTime"/>
        <xs:element minOccurs="1" maxOccurs="1" name="LastUpdatedOn" type="xs:dateTime"/>
        <xs:element minOccurs="0" maxOccurs="1" name="ScorecardLocation"
type="tns:RepositoryLocation"/>
        <xs:element xmlns:q2="http://microsoft.com/wsd1/types/" minOccurs="1" maxOccurs="1"
name="ConfiguredViewID" type="q2:guid"/>
        <xs:element xmlns:q2="http://microsoft.com/wsd1/types/" minOccurs="1" maxOccurs="1"
name="Guid" type="q2:guid"/>
        <xs:element minOccurs="0" maxOccurs="1" name="CellpathCoordinates" type="xs:string"/>
        <xs:element minOccurs="1" maxOccurs="1" name="Version" type="tns:AnnotationVersions"/>
    </xs:sequence>
</xs:complexType>
<xs:complexType name="ArrayOfAnnotationComment">
    <xs:sequence>
        <xs:element minOccurs="0" maxOccurs="unbounded" name="AnnotationComment"
nillable="true" type="tns:AnnotationComment"/>
    </xs:sequence>
</xs:complexType>
<xs:complexType name="AnnotationComment">
    <xs:complexContent mixed="false">
        <xs:extension base="tns:Comment">
            <xs:attribute name="Title" type="xs:string"/>
        </xs:extension>
    </xs:complexContent>
</xs:complexType>
<xs:simpleType name="AnnotationVersions">
    <xs:restriction base="xs:string">

```

```

        <xs:enumeration value="Office14Beta2"/>
        <xs:enumeration value="Office14Beta1"/>
        <xs:enumeration value="Pps2007"/>
    </xs:restriction>
</xs:simpleType>
<xs:element name="GetAnnotationResponse">
    <xs:complexType>
        <xs:sequence>
            <xs:element minOccurs="0" maxOccurs="1" name="GetAnnotationResult"
type="tns:Annotation"/>
        </xs:sequence>
    </xs:complexType>
</xs:element>
<xs:element name="GetAnnotationByID">
    <xs:complexType>
        <xs:sequence>
            <xs:element xmlns:q2="http://microsoft.com/wsdl/types/" minOccurs="1" maxOccurs="1"
name="annotationID" type="q2:guid"/>
        </xs:sequence>
    </xs:complexType>
</xs:element>
<xs:element name="GetAnnotationByIDResponse">
    <xs:complexType>
        <xs:sequence>
            <xs:element minOccurs="0" maxOccurs="1" name="GetAnnotationByIDResult"
type="tns:Annotation"/>
        </xs:sequence>
    </xs:complexType>
</xs:element>
<xs:element name="GetAllAnnotationsByScorecardLocation">
    <xs:complexType>
        <xs:sequence>
            <xs:element minOccurs="0" maxOccurs="1" name="scorecardLocation"
type="tns:RepositoryLocation"/>
        </xs:sequence>
    </xs:complexType>
</xs:element>
<xs:complexType name="ArrayOfAnnotation">
    <xs:sequence>
        <xs:element minOccurs="0" maxOccurs="unbounded" name="Annotation" nillable="true"
type="tns:Annotation"/>
    </xs:sequence>
</xs:complexType>
<xs:element name="GetAllAnnotationsByScorecardLocationResponse">
    <xs:complexType>
        <xs:sequence>
            <xs:element minOccurs="0" maxOccurs="1"
name="GetAllAnnotationsByScorecardLocationResult" type="tns:ArrayOfAnnotation"/>
        </xs:sequence>
    </xs:complexType>
</xs:element>
<xs:element name="CreateAnnotation">
    <xs:complexType>
        <xs:sequence>
            <xs:element minOccurs="0" maxOccurs="1" name="annotation" type="tns:Annotation"/>
        </xs:sequence>
    </xs:complexType>
</xs:element>
<xs:element name="CreateAnnotationResponse">
    <xs:complexType>
        <xs:sequence>
            <xs:element minOccurs="0" maxOccurs="1" name="CreateAnnotationResult"
type="tns:Annotation"/>
        </xs:sequence>
    </xs:complexType>
</xs:element>
<xs:element name="UpdateAnnotation">
    <xs:complexType>
        <xs:sequence>

```

```

        <xs:element minOccurs="0" maxOccurs="1" name="annotation" type="tns:Annotation"/>
    </xs:sequence>
</xs:complexType>
</xs:element>
<xs:element name="UpdateAnnotationResponse">
    <xs:complexType>
        <xs:sequence>
            <xs:element minOccurs="0" maxOccurs="1" name="UpdateAnnotationResult"
type="tns:Annotation"/>
        </xs:sequence>
    </xs:complexType>
</xs:element>
<xs:element name="DeleteAnnotation">
    <xs:complexType>
        <xs:sequence>
            <xs:element xmlns:q2="http://microsoft.com/wsdl/types/" minOccurs="1" maxOccurs="1"
name="annotationID" type="q2:guid"/>
        </xs:sequence>
    </xs:complexType>
</xs:element>
<xs:element name="DeleteAnnotationResponse">
    <xs:complexType/>
</xs:element>
<xs:element name="TrimAnnotationByScorecardLocation">
    <xs:complexType>
        <xs:sequence>
            <xs:element minOccurs="0" maxOccurs="1" name="scorecardLocation"
type="tns:RepositoryLocation"/>
        </xs:sequence>
    </xs:complexType>
</xs:element>
<xs:element name="TrimAnnotationByScorecardLocationResponse">
    <xs:complexType/>
</xs:element>
<xs:element name="TrimAnnotationByOwner">
    <xs:complexType>
        <xs:sequence>
            <xs:element minOccurs="0" maxOccurs="1" name="owner" type="xs:string"/>
        </xs:sequence>
    </xs:complexType>
</xs:element>
<xs:element name="TrimAnnotationByOwnerResponse">
    <xs:complexType/>
</xs:element>
<xs:element name="TrimAnnotationUntouchedSince">
    <xs:complexType>
        <xs:sequence>
            <xs:element minOccurs="1" maxOccurs="1" name="untouchedSince" type="xs:dateTime"/>
        </xs:sequence>
    </xs:complexType>
</xs:element>
<xs:element name="TrimAnnotationUntouchedSinceResponse">
    <xs:complexType/>
</xs:element>
<xs:element name="CreateDataSource">
    <xs:complexType>
        <xs:sequence>
            <xs:element minOccurs="0" maxOccurs="1" name="listUrl" type="xs:string"/>
            <xs:element minOccurs="0" maxOccurs="1" name="dataSource" type="tns:DataSource"/>
        </xs:sequence>
    </xs:complexType>
</xs:element>
<xs:element name="CreateDataSourceResponse">
    <xs:complexType>
        <xs:sequence>
            <xs:element minOccurs="0" maxOccurs="1" name="CreateDataSourceResult"
type="tns:DataSource"/>
        </xs:sequence>
    </xs:complexType>

```

```

</xs:element>
<xs:element name="UpdateDataSource">
  <xs:complexType>
    <xs:sequence>
      <xs:element minOccurs="0" maxOccurs="1" name="dataSource" type="tns:DataSource"/>
    </xs:sequence>
  </xs:complexType>
</xs:element>
<xs:element name="UpdateDataSourceResponse">
  <xs:complexType>
    <xs:sequence>
      <xs:element minOccurs="0" maxOccurs="1" name="UpdateDataSourceResult"
type="tns:DataSource"/>
    </xs:sequence>
  </xs:complexType>
</xs:element>
<xs:element name="GetDataDataSource">
  <xs:complexType>
    <xs:sequence>
      <xs:element minOccurs="0" maxOccurs="1" name="location"
type="tns:RepositoryLocation"/>
    </xs:sequence>
  </xs:complexType>
</xs:element>
<xs:element name="GetDataDataSourceResponse">
  <xs:complexType>
    <xs:sequence>
      <xs:element minOccurs="0" maxOccurs="1" name="GetDataDataSourceResult"
type="tns:DataSource"/>
    </xs:sequence>
  </xs:complexType>
</xs:element>
<xs:element name="DeleteDataSource">
  <xs:complexType>
    <xs:sequence>
      <xs:element minOccurs="0" maxOccurs="1" name="location"
type="tns:RepositoryLocation"/>
    </xs:sequence>
  </xs:complexType>
</xs:element>
<xs:element name="DeleteDataSourceResponse">
  <xs:complexType/>
</xs:element>
<xs:element name="SaveFilterValues">
  <xs:complexType>
    <xs:sequence>
      <xs:element minOccurs="0" maxOccurs="1" name="elementLocation"
type="tns:RepositoryLocation"/>
      <xs:element minOccurs="0" maxOccurs="1" name="parameterDefinition"
type="tns:ParameterDefinition"/>
      <xs:element minOccurs="0" maxOccurs="1" name="selections" type="tns:ArrayOfString"/>
    </xs:sequence>
  </xs:complexType>
</xs:element>
<xs:element name="SaveFilterValuesResponse">
  <xs:complexType/>
</xs:element>
<xs:element name="SearchParameterDisplayData">
  <xs:complexType>
    <xs:sequence>
      <xs:element minOccurs="0" name="parameterLocation" nillable="true"
type="tns:RepositoryLocation"/>
      <xs:element minOccurs="0" name="searchTerm" nillable="true" type="xs:string"/>
    </xs:sequence>
  </xs:complexType>
</xs:element>
xmlns:q1="http://schemas.datacontract.org/2004/07/Microsoft.PerformancePoint.Scorecards"
minOccurs="0" name="webPartContext" nillable="true" type="q1:WebPartContext"/>
</xs:sequence>
</xs:complexType>
</xs:element>

```

```

<xs:element name="SearchParameterDisplayDataResponse">
  <xs:complexType>
    <xs:sequence>
      <xs:element
xmlns:q19="http://schemas.datacontract.org/2004/07/Microsoft.PerformancePoint.Scorecards.ServerCommon" minOccurs="0" name="SearchParameterDisplayDataResult" nillable="true"
type="q19:ParameterSearchResultRecord"/>
      </xs:sequence>
    </xs:complexType>
  </xs:element>
  <xs:element name="GetRemainingParameterDisplayData">
    <xs:complexType>
      <xs:sequence>
        <xs:element minOccurs="0" name="parameterLocation" nillable="true"
type="tns:RepositoryLocation"/>
        <xs:element
xmlns:q1="http://schemas.datacontract.org/2004/07/Microsoft.PerformancePoint.Scorecards"
minOccurs="0" name="webPartContext" nillable="true" type="q1:WebPartContext"/>
        </xs:sequence>
      </xs:complexType>
    </xs:element>
    <xs:element name="GetRemainingParameterDisplayDataResponse">
      <xs:complexType>
        <xs:sequence>
          <xs:element
xmlns:q19="http://schemas.datacontract.org/2004/07/Microsoft.PerformancePoint.Scorecards.ServerCommon" minOccurs="0" name="GetRemainingParameterDisplayDataResult" nillable="true"
type="q19:ParameterGetRemainingResultRecord"/>
          </xs:sequence>
        </xs:complexType>
      </xs:element>
      <xs:element name="GetRemainingSearchResults">
        <xs:complexType>
          <xs:sequence>
            <xs:element minOccurs="0" name="parameterLocation" nillable="true"
type="tns:RepositoryLocation"/>
            <xs:element minOccurs="0" name="searchTerm" nillable="true" type="xs:string"/>
            <xs:element
xmlns:q1="http://schemas.datacontract.org/2004/07/Microsoft.PerformancePoint.Scorecards"
minOccurs="0" name="webPartContext" nillable="true" type="q1:WebPartContext"/>
            </xs:sequence>
          </xs:complexType>
        </xs:element>
        <xs:element name="GetRemainingSearchResultsResponse">
          <xs:complexType>
            <xs:sequence>
              <xs:element
xmlns:q19="http://schemas.datacontract.org/2004/07/Microsoft.PerformancePoint.Scorecards.ServerCommon" minOccurs="0" name="GetRemainingSearchResultsResult" nillable="true"
type="q19:ParameterSearchResultRecord"/>
              </xs:sequence>
            </xs:complexType>
          </xs:element>
          <xs:element name="GetKpisFromScorecard">
            <xs:complexType>
              <xs:sequence>
                <xs:element minOccurs="0" maxOccurs="1" name="scorecardLocation"
type="tns:RepositoryLocation"/>
                </xs:sequence>
              </xs:complexType>
            </xs:element>
            <xs:complexType name="ArrayOfKpi">
              <xs:sequence>
                <xs:element minOccurs="0" maxOccurs="unbounded" name="Kpi" nillable="true"
type="tns:Kpi"/>
              </xs:sequence>
            </xs:complexType>
          </xs:element name="GetKpisFromScorecardResponse">
            <xs:complexType>

```

```

        <xs:sequence>
          <xs:element minOccurs="0" maxOccurs="1" name="GetKpisFromScorecardResult"
type="tns:ArrayOfKpi"/>
        </xs:sequence>
      </xs:complexType>
    </xs:element>
    <xs:element name="GetAnalyticReportView">
      <xs:complexType>
        <xs:sequence>
          <xs:element minOccurs="0" maxOccurs="1" name="analyticReportViewLocation"
type="tns:RepositoryLocation"/>
        </xs:sequence>
      </xs:complexType>
    </xs:element>
    <xs:element name="GetAnalyticReportViewResponse">
      <xs:complexType>
        <xs:sequence>
          <xs:element minOccurs="0" maxOccurs="1" name="GetAnalyticReportViewResult"
type="tns:ReportView"/>
        </xs:sequence>
      </xs:complexType>
    </xs:element>
    <xs:element name="GetStrategyMapReportView">
      <xs:complexType>
        <xs:sequence>
          <xs:element minOccurs="0" maxOccurs="1" name="strategyMapReportViewLocation"
type="tns:RepositoryLocation"/>
        </xs:sequence>
      </xs:complexType>
    </xs:element>
    <xs:element name="GetStrategyMapReportViewResponse">
      <xs:complexType>
        <xs:sequence>
          <xs:element minOccurs="0" maxOccurs="1" name="GetStrategyMapReportViewResult"
type="tns:ReportView"/>
        </xs:sequence>
      </xs:complexType>
    </xs:element>
    <xs:element name="GetLatestAnalyticReportVersion">
      <xs:complexType>
        <xs:sequence>
          <xs:element xmlns:q2="http://microsoft.com/wsd1/types/" minOccurs="1" maxOccurs="1"
name="analyticReportViewId" type="q2:guid"/>
        </xs:sequence>
      </xs:complexType>
    </xs:element>
    <xs:element name="GetLatestAnalyticReportVersionResponse">
      <xs:complexType>
        <xs:sequence>
          <xs:element minOccurs="1" maxOccurs="1" name="GetLatestAnalyticReportVersionResult"
type="xs:int"/>
        </xs:sequence>
      </xs:complexType>
    </xs:element>
    <xs:element name="GetSettings">
      <xs:complexType/>
    </xs:element>
    <xs:complexType name="Setting">
      <xs:attribute name="Key" type="xs:string"/>
      <xs:attribute name="Type" type="tns:SettingType" use="required"/>
      <xs:attribute name="Value" type="xs:string"/>
      <xs:attribute name="DefaultValue" type="xs:string"/>
    </xs:complexType>
    <xs:simpleType name="SettingType">
      <xs:restriction base="xs:string">
        <xs:enumeration value="String"/>
        <xs:enumeration value="Boolean"/>
        <xs:enumeration value="Integer"/>
      </xs:restriction>

```

```

</xs:simpleType>
<xs:complexType name="ArrayOfSetting">
  <xs:sequence>
    <xs:element minOccurs="0" maxOccurs="unbounded" name="Setting" nillable="true"
type="tns:Setting"/>
  </xs:sequence>
</xs:complexType>
<xs:element name="GetSettingsResponse">
  <xs:complexType>
    <xs:sequence>
      <xs:element minOccurs="0" maxOccurs="1" name="GetSettingsResult"
type="tns:ArrayOfSetting"/>
    </xs:sequence>
  </xs:complexType>
</xs:element>
<xs:element name="GetSetting">
  <xs:complexType>
    <xs:sequence>
      <xs:element minOccurs="0" maxOccurs="1" name="key" type="xs:string"/>
    </xs:sequence>
  </xs:complexType>
</xs:element>
<xs:element name="GetSettingResponse">
  <xs:complexType>
    <xs:sequence>
      <xs:element minOccurs="0" maxOccurs="1" name="GetSettingResult" type="tns:Setting"/>
    </xs:sequence>
  </xs:complexType>
</xs:element>
<xs:element name="GetSettingValue">
  <xs:complexType>
    <xs:sequence>
      <xs:element minOccurs="0" maxOccurs="1" name="key" type="xs:string"/>
    </xs:sequence>
  </xs:complexType>
</xs:element>
<xs:element name="GetSettingValueResponse">
  <xs:complexType>
    <xs:sequence>
      <xs:element minOccurs="0" maxOccurs="1" name="GetSettingValueResult"
type="xs:string"/>
    </xs:sequence>
  </xs:complexType>
</xs:element>
<xs:element name="ValidateSiteCollection">
  <xs:complexType/>
</xs:element>
<xs:element name="ValidateSiteCollectionResponse">
  <xs:complexType>
    <xs:sequence>
      <xs:element minOccurs="1" maxOccurs="1" name="ValidateSiteCollectionResult"
type="tns:URLValidationResult"/>
    </xs:sequence>
  </xs:complexType>
</xs:element>
<xs:simpleType name="URLValidationResult">
  <xs:restriction base="xs:string">
    <xs:enumeration value="SiteCollectionOrSite"/>
    <xs:enumeration value="SiteCollection"/>
    <xs:enumeration value="Site"/>
    <xs:enumeration value="List"/>
    <xs:enumeration value="DocumentLibrary"/>
    <xs:enumeration value="InvalidURL"/>
    <xs:enumeration value="AlreadyExists"/>
    <xs:enumeration value="NonexistentSiteCollection"/>
    <xs:enumeration value="NonexistentSite"/>
    <xs:enumeration value="PPSNotActivatedOnSiteCollection"/>
    <xs:enumeration value="URLZoneNotAllowed"/>
    <xs:enumeration value="NoAccess"/>
  </xs:restriction>
</xs:simpleType>

```



```

        <xs:enumeration value="InvalidSiteVersion"/>
    </xs:restriction>
</xs:simpleType>
<xs:element name="MaintenanceJob">
    <xs:complexType/>
</xs:element>
<xs:element name="MaintenanceJobResponse">
    <xs:complexType/>
</xs:element>
<xs:element name="GenerateView">
    <xs:complexType>
        <xs:sequence>
            <xs:element minOccurs="0" maxOccurs="1" name="scorecardLocation"
type="tns:RepositoryLocation"/>
            <xs:element minOccurs="0" maxOccurs="1" name="pageFilters" type="tns:ArrayOfMember"/>
            <xs:element minOccurs="0" maxOccurs="1" name="propertyBags"
type="tns:DictionaryWrapperOfStringPropertyBag"/>
        </xs:sequence>
    </xs:complexType>
</xs:element>
<xs:complexType name="DictionaryWrapperOfStringPropertyBag">
    <xs:sequence>
        <xs:element minOccurs="0" maxOccurs="1" name="Keys" type="tns:ArrayOfString"/>
        <xs:element minOccurs="0" maxOccurs="1" name="Values" type="tns:ArrayOfPropertyBag"/>
    </xs:sequence>
</xs:complexType>
<xs:complexType name="ArrayOfPropertyBag">
    <xs:sequence>
        <xs:element minOccurs="0" maxOccurs="unbounded" name="PropertyBag" nillable="true"
type="tns:PropertyBag"/>
    </xs:sequence>
</xs:complexType>
<xs:complexType name="GridViewData">
    <xs:sequence>
        <xs:element minOccurs="0" maxOccurs="1" name="Cells" type="tns:GridCellSet"/>
        <xs:element minOccurs="0" maxOccurs="1" name="RootRowHeader"
type="tns:GridHeaderItem"/>
        <xs:element minOccurs="0" maxOccurs="1" name="RootColumnHeader"
type="tns:GridHeaderItem"/>
        <xs:element minOccurs="0" maxOccurs="1" name="ScorecardLocation"
type="tns:RepositoryLocation"/>
        <xs:element minOccurs="0" maxOccurs="1" name="DefaultRollupIndicatorLocation"
type="tns:RepositoryLocation"/>
        <xs:element minOccurs="0" maxOccurs="1" name="PreQueryTransforms"
type="tns:ArrayOfGridViewTransformReference"/>
        <xs:element minOccurs="0" maxOccurs="1" name="PostQueryTransforms"
type="tns:ArrayOfGridViewTransformReference"/>
        <xs:element minOccurs="0" maxOccurs="1" name="PreRenderTransforms"
type="tns:ArrayOfGridViewTransformReference"/>
        <xs:element minOccurs="0" maxOccurs="1" name="PerUserTransforms"
type="tns:ArrayOfGridViewTransformReference"/>
        <xs:element minOccurs="0" maxOccurs="1" name="PageFilters" type="tns:ArrayOfMember"/>
    </xs:sequence>
    <xs:attribute xmlns:q2="http://microsoft.com/wsdl/types/" name="ScorecardViewId"
type="q2:guid" use="required"/>
    <xs:attribute name="Cached" type="xs:boolean" use="required"/>
    <xs:attribute name="CacheExpiration" type="xs:dateTime" use="required"/>
    <xs:attribute xmlns:q2="http://microsoft.com/wsdl/types/" name="DefaultRollupIndicatorId"
type="q2:guid" use="required"/>
    <xs:attribute name="EmptyCell" type="xs:string"/>
    <xs:attribute name="InvalidCell" type="xs:string"/>
    <xs:attribute name="TIFormula" type="xs:string"/>
    <xs:attribute name="TICurrentDateTime" type="xs:string"/>
</xs:complexType>
<xs:complexType name="GridCellSet">
    <xs:sequence>
        <xs:element minOccurs="0" maxOccurs="1" name="Table"
type="tns:DictionaryWrapperOfStringGridCell"/>
    </xs:sequence>

```

```

</xs:complexType>
<xs:complexType name="DictionaryWrapperOfStringGridCell">
  <xs:sequence>
    <xs:element minOccurs="0" maxOccurs="1" name="Keys" type="tns:ArrayOfString"/>
    <xs:element minOccurs="0" maxOccurs="1" name="Values" type="tns:ArrayOfGridCell"/>
  </xs:sequence>
</xs:complexType>
<xs:complexType name="ArrayOfGridCell">
  <xs:sequence>
    <xs:element minOccurs="0" maxOccurs="unbounded" name="GridCell" nillable="true"
type="tns:GridCell"/>
  </xs:sequence>
</xs:complexType>
<xs:complexType name="GridCell">
  <xs:sequence>
    <xs:element minOccurs="0" maxOccurs="1" name="FormatInfo" type="tns:GridFormatInfo"/>
    <xs:element minOccurs="0" maxOccurs="1" name="Properties" type="tns:PropertyBag"/>
    <xs:element minOccurs="0" maxOccurs="1" name="DisplayElements"
type="tns:ArrayOfGridDisplayElement"/>
    <xs:element minOccurs="0" maxOccurs="1" name="IndicatorLocation"
type="tns:RepositoryLocation"/>
    <xs:element minOccurs="1" maxOccurs="1" name="InBand" type="xs:int"/>
    <xs:element minOccurs="0" maxOccurs="1" name="CellAnnotation" type="tns:Annotation"/>
  </xs:sequence>
  <xs:attribute name="Value" type="xs:decimal" use="required"/>
  <xs:attribute name="ActualValue" type="xs:decimal" use="required"/>
  <xs:attribute name="Score" type="xs:decimal" use="required"/>
  <xs:attribute name="Weight" type="xs:decimal" use="required"/>
  <xs:attribute name="BestChildScore" type="xs:decimal" use="required"/>
  <xs:attribute name="WorstChildScore" type="xs:decimal" use="required"/>
  <xs:attribute name="IsValueInError" type="xs:boolean" use="required"/>
  <xs:attribute name="HasAnnotation" type="xs:boolean" use="required"/>
  <xs:attribute name="IsRollupScore" type="xs:boolean" use="required"/>
  <xs:attribute name="ValueSource" type="tns:ValueSources" use="required"/>
  <xs:attribute name="IsValidScore" type="xs:boolean" use="required"/>
</xs:complexType>
<xs:complexType name="ArrayOfGridDisplayElement">
  <xs:sequence>
    <xs:element minOccurs="0" maxOccurs="unbounded" name="GridDisplayElement"
nillable="true" type="tns:GridDisplayElement"/>
  </xs:sequence>
</xs:complexType>
<xs:complexType name="GridDisplayElement" abstract="true">
  <xs:sequence>
    <xs:element minOccurs="0" maxOccurs="1" name="Text" type="xs:string"/>
    <xs:element minOccurs="0" maxOccurs="1" name="TooltipText" type="xs:string"/>
  </xs:sequence>
  <xs:attribute name="Status" type="tns:GridCellElementStatus" use="required"/>
</xs:complexType>
<xs:simpleType name="GridCellElementStatus">
  <xs:restriction base="xs:string">
    <xs:enumeration value="0"/>
    <xs:enumeration value="1"/>
    <xs:enumeration value="2"/>
  </xs:restriction>
</xs:simpleType>
<xs:complexType name="GridDisplayElementHyperLink">
  <xs:complexContent mixed="false">
    <xs:extension base="tns:GridDisplayElement">
      <xs:attribute name="LinkUrl" type="xs:string"/>
    </xs:extension>
  </xs:complexContent>
</xs:complexType>
<xs:complexType name="GridDisplayElementIndicator">
  <xs:complexContent mixed="false">
    <xs:extension base="tns:GridDisplayElement">
      <xs:sequence>
        <xs:element minOccurs="0" maxOccurs="1" name="IndicatorLocation"
type="tns:RepositoryLocation"/>

```

```

        </xs:sequence>
        <xs:attribute name="IndicatorBand" type="xs:int" use="required"/>
    </xs:extension>
</xs:complexContent>
</xs:complexType>
<xs:complexType name="GridDisplayElementText">
    <xs:complexContent mixed="false">
        <xs:extension base="tns:GridDisplayElement"/>
    </xs:complexContent>
</xs:complexType>
<xs:complexType name="GridDisplayElementIndicatorText">
    <xs:complexContent mixed="false">
        <xs:extension base="tns:GridDisplayElementText">
            <xs:sequence>
                <xs:element minOccurs="0" maxOccurs="1" name="IndicatorLocation"
type="tns:RepositoryLocation"/>
            </xs:sequence>
            <xs:attribute name="IndicatorBand" type="xs:int" use="required"/>
        </xs:extension>
    </xs:complexContent>
</xs:complexType>
<xs:complexType name="GridDisplayElementNumber" abstract="true">
    <xs:complexContent mixed="false">
        <xs:extension base="tns:GridDisplayElement">
            <xs:attribute name="Value" type="xs:decimal" use="required"/>
            <xs:attribute name="OverrideValue" type="xs:decimal" use="required"/>
        </xs:extension>
    </xs:complexContent>
</xs:complexType>
<xs:complexType name="GridDisplayElementActual">
    <xs:complexContent mixed="false">
        <xs:extension base="tns:GridDisplayElementNumber"/>
    </xs:complexContent>
</xs:complexType>
<xs:complexType name="GridDisplayElementTarget">
    <xs:complexContent mixed="false">
        <xs:extension base="tns:GridDisplayElementNumber"/>
    </xs:complexContent>
</xs:complexType>
<xs:complexType name="GridDisplayElementVariance">
    <xs:complexContent mixed="false">
        <xs:extension base="tns:GridDisplayElementNumber"/>
    </xs:complexContent>
</xs:complexType>
<xs:complexType name="GridDisplayElementScore">
    <xs:complexContent mixed="false">
        <xs:extension base="tns:GridDisplayElementNumber"/>
    </xs:complexContent>
</xs:complexType>
<xs:complexType name="GridDisplayElementAggregation">
    <xs:complexContent mixed="false">
        <xs:extension base="tns:GridDisplayElementNumber"/>
    </xs:complexContent>
</xs:complexType>
<xs:complexType name="ArrayOfGridViewTransformReference">
    <xs:sequence>
        <xs:element minOccurs="0" maxOccurs="unbounded" name="GridViewTransformReference"
nillable="true" type="tns:GridViewTransformReference"/>
    </xs:sequence>
</xs:complexType>
<xs:element name="GenerateViewResponse">
    <xs:complexType>
        <xs:sequence>
            <xs:element minOccurs="0" maxOccurs="1" name="GenerateViewResult"
type="tns:GridViewData"/>
        </xs:sequence>
    </xs:complexType>
</xs:element>
<xs:element name="GenerateViewDirect">

```

```

<xs:complexType>
  <xs:sequence>
    <xs:element minOccurs="0" maxOccurs="1" name="scorecard" type="tns:Scorecard"/>
    <xs:element minOccurs="0" maxOccurs="1" name="kpis" type="tns:ArrayOfKpi"/>
    <xs:element minOccurs="0" maxOccurs="1" name="dataSources"
type="tns:ArrayOfDataSource"/>
    <xs:element minOccurs="0" maxOccurs="1" name="indicators"
type="tns:ArrayOfIndicator"/>
    <xs:element minOccurs="0" maxOccurs="1" name="pageFilters" type="tns:ArrayOfMember"/>
    <xs:element minOccurs="0" maxOccurs="1" name="propertyBags"
type="tns:DictionaryWrapperOfStringPropertyBag"/>
  </xs:sequence>
</xs:complexType>
</xs:element>
<xs:complexType name="ArrayOfDataSource">
  <xs:sequence>
    <xs:element minOccurs="0" maxOccurs="unbounded" name="DataSource" nillable="true"
type="tns:DataSource"/>
  </xs:sequence>
</xs:complexType>
<xs:complexType name="ArrayOfIndicator">
  <xs:sequence>
    <xs:element minOccurs="0" maxOccurs="unbounded" name="Indicator" nillable="true"
type="tns:Indicator"/>
  </xs:sequence>
</xs:complexType>
<xs:element name="GenerateViewDirectResponse">
  <xs:complexType>
    <xs:sequence>
      <xs:element minOccurs="0" maxOccurs="1" name="GenerateViewDirectResult"
type="tns:GridViewData"/>
    </xs:sequence>
  </xs:complexType>
</xs:element>
<xs:element name="GetAsKpis">
  <xs:complexType>
    <xs:sequence>
      <xs:element minOccurs="0" maxOccurs="1" name="dataSource" type="tns:DataSource"/>
      <xs:element minOccurs="0" maxOccurs="1" name="listUrl" type="xs:string"/>
    </xs:sequence>
  </xs:complexType>
</xs:element>
<xs:element name="GetAsKpisResponse">
  <xs:complexType>
    <xs:sequence>
      <xs:element minOccurs="0" maxOccurs="1" name="GetAsKpisResult"
type="tns:ArrayOfKpi"/>
    </xs:sequence>
  </xs:complexType>
</xs:element>
<xs:element name="GetParameterDisplayData">
  <xs:complexType>
    <xs:sequence>
      <xs:element minOccurs="0" maxOccurs="1" name="providerLocation"
type="tns:RepositoryLocation"/>
      <xs:element minOccurs="0" maxOccurs="1" name="parameterDefinition"
type="tns:ParameterDefinition"/>
      <xs:element minOccurs="0" maxOccurs="1" name="parameterSourceLocation"
type="tns:RepositoryLocation"/>
      <xs:element minOccurs="0" maxOccurs="1" name="webPartContext"
type="tns:WebPartContext"/>
    </xs:sequence>
  </xs:complexType>
</xs:element>
<xs:complexType name="WebPartContext">
  <xs:sequence>
    <xs:element minOccurs="0" maxOccurs="1" name="ClientViewState"
type="tns:DictionaryWrapperOfStringString"/>
  </xs:sequence>
</xs:complexType>

```

```

        <xs:element minOccurs="0" maxOccurs="1" name="InUseProviderParameterNames"
type="tns:ArrayOfString"/>
        <xs:element minOccurs="0" maxOccurs="1" name="ProviderParameterSelections"
type="tns:DictionaryWrapperOfStringListOfString"/>
    </xs:sequence>
</xs:complexType>
<xs:complexType name="DictionaryWrapperOfStringString">
    <xs:sequence>
        <xs:element minOccurs="0" maxOccurs="1" name="Keys" type="tns:ArrayOfString"/>
        <xs:element minOccurs="0" maxOccurs="1" name="Values" type="tns:ArrayOfString"/>
    </xs:sequence>
</xs:complexType>
<xs:complexType name="DictionaryWrapperOfStringListOfString">
    <xs:sequence>
        <xs:element minOccurs="0" maxOccurs="1" name="Keys" type="tns:ArrayOfString"/>
        <xs:element minOccurs="0" maxOccurs="1" name="Values" type="tns:ArrayOfArrayOfString"/>
    </xs:sequence>
</xs:complexType>
<xs:complexType name="ArrayOfArrayOfString">
    <xs:sequence>
        <xs:element minOccurs="0" maxOccurs="unbounded" name="ArrayOfString" nillable="true"
type="tns:ArrayOfString"/>
    </xs:sequence>
</xs:complexType>
<xs:element name="GetParameterDisplayDataResponse">
    <xs:complexType>
        <xs:sequence>
            <xs:element minOccurs="0" maxOccurs="1" name="GetParameterDisplayDataResult">
                <xs:complexType>
                    <xs:sequence>
                        <xs:any minOccurs="0" maxOccurs="unbounded"
namespace="http://www.w3.org/2001/XMLSchema" processContents="lax"/>
                        <xs:any minOccurs="1" namespace="urn:schemas-microsoft-com:xml-diffgram-v1"
processContents="lax"/>
                    </xs:sequence>
                </xs:complexType>
            </xs:element>
        </xs:sequence>
    </xs:complexType>
</xs:element>
<xs:element name="GetFilterDisplayData">
    <xs:complexType>
        <xs:sequence>
            <xs:element minOccurs="0" maxOccurs="1" name="filterLocation"
type="tns:RepositoryLocation"/>
            <xs:element minOccurs="0" maxOccurs="1" name="parameterDefinition"
type="tns:ParameterDefinition"/>
            <xs:element minOccurs="0" maxOccurs="1" name="selections" type="tns:ArrayOfString"/>
            <xs:element minOccurs="1" maxOccurs="1" name="useSavedUserSelections"
type="xs:boolean"/>
            <xs:element minOccurs="1" maxOccurs="1" name="selectionsOnly" type="xs:boolean"/>
            <xs:element minOccurs="0" maxOccurs="1" name="webPartContext"
type="tns:WebPartContext"/>
        </xs:sequence>
    </xs:complexType>
</xs:element>
<xs:element name="GetFilterDisplayDataResponse">
    <xs:complexType>
        <xs:sequence>
            <xs:element minOccurs="0" maxOccurs="1" name="GetFilterDisplayDataResult">
                <xs:complexType>
                    <xs:sequence>
                        <xs:any minOccurs="0" maxOccurs="unbounded"
namespace="http://www.w3.org/2001/XMLSchema" processContents="lax"/>
                        <xs:any minOccurs="1" namespace="urn:schemas-microsoft-com:xml-diffgram-v1"
processContents="lax"/>
                    </xs:sequence>
                </xs:complexType>
            </xs:element>
        </xs:sequence>
    </xs:complexType>
</xs:element>

```

```

        </xs:sequence>
    </xs:complexType>
</xs:element>
<xs:element name="GetParameterMessageData">
    <xs:complexType>
        <xs:sequence>
            <xs:element minOccurs="0" name="providerLocation" nillable="true"
type="tns:RepositoryLocation"/>
            <xs:element
xmlns:q1="http://schemas.datacontract.org/2004/07/Microsoft.PerformancePoint.Scorecards"
minOccurs="0" name="parameterMessage" nillable="true" type="q1:ParameterMessage"/>
            <xs:element minOccurs="0" name="parameterSourceLocation" nillable="true"
type="tns:RepositoryLocation"/>
            <xs:element
xmlns:q1="http://schemas.datacontract.org/2004/07/Microsoft.PerformancePoint.Scorecards"
minOccurs="0" name="parameterMapping" nillable="true" type="q1:ParameterMapping"/>
            <xs:element
xmlns:q1="http://schemas.datacontract.org/2004/07/Microsoft.PerformancePoint.Scorecards"
minOccurs="0" name="webPartContext" nillable="true" type="q1:WebPartContext"/>
        </xs:sequence>
    </xs:complexType>
</xs:element>
<xs:element name="GetParameterMessageDataResponse">
    <xs:complexType>
        <xs:sequence>
            <xs:element minOccurs="0" name="GetParameterMessageDataResult" nillable="true">
                <xs:complexType>
                    <xs:sequence>
                        <xs:any minOccurs="0" maxOccurs="unbounded"
namespace="http://www.w3.org/2001/XMLSchema" processContents="lax"/>
                        <xs:any minOccurs="1" namespace="urn:schemas-microsoft-com:xml-diffgram-v1"
processContents="lax"/>
                    </xs:sequence>
                </xs:complexType>
            </xs:element>
            </xs:sequence>
        </xs:complexType>
</xs:element>
<xs:element name="QueryTimeIntelligence">
    <xs:complexType>
        <xs:sequence>
            <xs:element minOccurs="0" maxOccurs="1" name="dataSourceLocation"
type="tns:RepositoryLocation"/>
            <xs:element minOccurs="1" maxOccurs="1" name="currentTime" type="xs:dateTime"/>
            <xs:element minOccurs="0" maxOccurs="1" name="formula" type="xs:string"/>
        </xs:sequence>
    </xs:complexType>
</xs:element>
<xs:element name="QueryTimeIntelligenceResponse">
    <xs:complexType>
        <xs:sequence>
            <xs:element minOccurs="0" maxOccurs="1" name="QueryTimeIntelligenceResult"
type="tns:ArrayOfMember"/>
        </xs:sequence>
    </xs:complexType>
</xs:element>
<xs:element name="QueryTimeIntelligenceDirect">
    <xs:complexType>
        <xs:sequence>
            <xs:element minOccurs="0" maxOccurs="1" name="dataSource" type="tns:DataSource"/>
            <xs:element minOccurs="1" maxOccurs="1" name="currentTime" type="xs:dateTime"/>
            <xs:element minOccurs="0" maxOccurs="1" name="formula" type="xs:string"/>
        </xs:sequence>
    </xs:complexType>
</xs:element>
<xs:element name="QueryTimeIntelligenceDirectResponse">
    <xs:complexType>
        <xs:sequence>

```

```

        <xs:element minOccurs="0" maxOccurs="1" name="QueryTimeIntelligenceDirectResult"
type="tns:ArrayOfMember"/>
    </xs:sequence>
</xs:complexType>
</xs:element>
<xs:element name="GetRegisteredCustomFCOs">
    <xs:complexType>
        <xs:sequence>
            <xs:element minOccurs="1" maxOccurs="1" name="type" type="tns:CustomFCOType"/>
        </xs:sequence>
    </xs:complexType>
</xs:element>
<xs:simpleType name="CustomFCOType">
    <xs:list>
        <xs:simpleType>
            <xs:restriction base="xs:string">
                <xs:enumeration value="None"/>
                <xs:enumeration value="DataSource"/>
                <xs:enumeration value="Filter"/>
                <xs:enumeration value="ReportView"/>
                <xs:enumeration value="All"/>
            </xs:restriction>
        </xs:simpleType>
    </xs:list>
</xs:simpleType>
<xs:complexType name="CustomFCODefinition">
    <xs:sequence>
        <xs:element minOccurs="0" maxOccurs="1" name="TemplateIconSerialized"
type="xs:string"/>
    </xs:sequence>
    <xs:attribute name="Type" type="tns:CustomFCOType" use="required"/>
    <xs:attribute name="SubType" type="xs:string"/>
    <xs:attribute name="Name" type="xs:string"/>
    <xs:attribute name="Description" type="xs:string"/>
    <xs:attribute name="RendererClass" type="xs:string"/>
    <xs:attribute name="EditorUri" type="xs:string"/>
</xs:complexType>
<xs:complexType name="ArrayOfCustomFCODefinition">
    <xs:sequence>
        <xs:element minOccurs="0" maxOccurs="unbounded" name="CustomFCODefinition"
nillable="true" type="tns:CustomFCODefinition"/>
    </xs:sequence>
</xs:complexType>
<xs:element name="GetRegisteredCustomFCOsResponse">
    <xs:complexType>
        <xs:sequence>
            <xs:element minOccurs="0" maxOccurs="1" name="GetRegisteredCustomFCOsResult"
type="tns:ArrayOfCustomFCODefinition"/>
        </xs:sequence>
    </xs:complexType>
</xs:element>
<xs:element name="CreateReportHtml">
    <xs:complexType>
        <xs:sequence>
            <xs:element minOccurs="1" maxOccurs="1" name="proxyCacheAttempt" type="xs:boolean"/>
            <xs:element minOccurs="0" maxOccurs="1" name="targetControlId" type="xs:string"/>
            <xs:element minOccurs="0" maxOccurs="1" name="targetControlType" type="xs:string"/>
            <xs:element minOccurs="0" maxOccurs="1" name="olapContextId" type="xs:string"/>
            <xs:element minOccurs="1" maxOccurs="1" name="availableHeight" type="xs:int"/>
            <xs:element minOccurs="1" maxOccurs="1" name="availableWidth" type="xs:int"/>
            <xs:element minOccurs="0" maxOccurs="1" name="reportLocation"
type="tns:RepositoryLocation"/>
            <xs:element minOccurs="0" maxOccurs="1" name="inboundParameters" type="xs:string"/>
            <xs:element minOccurs="0" maxOccurs="1" name="navigationAction" type="xs:string"/>
            <xs:element minOccurs="0" maxOccurs="1" name="viewProps" type="xs:string"/>
            <xs:element minOccurs="1" maxOccurs="1" name="isAccessibilityMode"
type="xs:boolean"/>
        </xs:sequence>
    </xs:complexType>

```

```

</xs:element>
<xs:complexType name="SubstitutionPair">
  <xs:sequence>
    <xs:element minOccurs="0" maxOccurs="1" name="Token" type="xs:string"/>
    <xs:element minOccurs="0" maxOccurs="1" name="Value" type="xs:string"/>
  </xs:sequence>
</xs:complexType>
<xs:complexType name="ArrayOfSubstitutionPair">
  <xs:sequence>
    <xs:element minOccurs="0" maxOccurs="unbounded" name="SubstitutionPair" nillable="true"
type="tns:SubstitutionPair"/>
  </xs:sequence>
</xs:complexType>
<xs:element name="CreateReportHtmlResponse">
  <xs:complexType>
    <xs:sequence>
      <xs:element minOccurs="0" maxOccurs="1" name="proxyCacheKey" type="xs:string"/>
      <xs:element minOccurs="0" maxOccurs="1" name="proxyCacheSubs"
type="tns:ArrayOfSubstitutionPair"/>
      <xs:element minOccurs="1" maxOccurs="1" name="proxyCacheExpiration"
type="xs:dateTime"/>
      <xs:element minOccurs="0" maxOccurs="1" name="html" type="xs:string"/>
      <xs:element minOccurs="0" maxOccurs="1" name="script" type="xs:string"/>
    </xs:sequence>
  </xs:complexType>
</xs:element>
<xs:element name="CreateNavigationMetadata">
  <xs:complexType>
    <xs:sequence>
      <xs:element minOccurs="0" maxOccurs="1" name="targetControlId" type="xs:string"/>
      <xs:element minOccurs="0" maxOccurs="1" name="targetControlType" type="xs:string"/>
      <xs:element minOccurs="0" maxOccurs="1" name="olapContextId" type="xs:string"/>
      <xs:element minOccurs="0" maxOccurs="1" name="metadataContextId" type="xs:string"/>
      <xs:element minOccurs="0" maxOccurs="1" name="reportLocation"
type="tns:RepositoryLocation"/>
      <xs:element minOccurs="0" maxOccurs="1" name="metadataAction" type="xs:string"/>
    </xs:sequence>
  </xs:complexType>
</xs:element>
<xs:element name="CreateNavigationMetadataResponse">
  <xs:complexType>
    <xs:sequence>
      <xs:element minOccurs="0" maxOccurs="1" name="CreateNavigationMetadataResult"
type="xs:string"/>
    </xs:sequence>
  </xs:complexType>
</xs:element>
<xs:element name="GetFilterDependencies">
  <xs:complexType>
    <xs:sequence>
      <xs:element minOccurs="0" maxOccurs="1" name="filterLocation"
type="tns:RepositoryLocation"/>
    </xs:sequence>
  </xs:complexType>
</xs:element>
<xs:complexType name="ResourceDependencies">
  <xs:sequence>
    <xs:element minOccurs="0" maxOccurs="1" name="ExternalCssDependencies"
type="tns:ArrayOfString"/>
    <xs:element minOccurs="0" maxOccurs="1" name="ScriptDependencies"
type="tns:ArrayOfScriptDependency"/>
    <xs:element minOccurs="0" maxOccurs="1" name="CustomStartupScript" type="xs:string"/>
  </xs:sequence>
</xs:complexType>
<xs:complexType name="ArrayOfScriptDependency">
  <xs:sequence>
    <xs:element minOccurs="0" maxOccurs="unbounded" name="ScriptDependency"
type="tns:ScriptDependency"/>
  </xs:sequence>

```



```

</xs:complexType>
<xs:complexType name="ScriptDependency">
  <xs:sequence>
    <xs:element minOccurs="0" maxOccurs="1" name="ScriptLocation" type="xs:string"/>
  </xs:sequence>
</xs:complexType>
<xs:element name="GetFilterDependenciesResponse">
  <xs:complexType>
    <xs:sequence>
      <xs:element minOccurs="0" maxOccurs="1" name="GetFilterDependenciesResult"
type="tns:ResourceDependencies"/>
    </xs:sequence>
  </xs:complexType>
</xs:element>
<xs:element name="RenderFilter">
  <xs:complexType>
    <xs:sequence>
      <xs:element minOccurs="0" name="filterLocation" nillable="true"
type="tns:RepositoryLocation"/>
      <xs:element minOccurs="0" name="renderTargetId" nillable="true" type="xs:string"/>
      <xs:element minOccurs="0" name="availableHeight" nillable="true" type="xs:string"/>
      <xs:element minOccurs="0" name="availableWidth" nillable="true" type="xs:string"/>
    </xs:sequence>
  </xs:complexType>
  <xs:element name="webPartContext" nillable="true" type="q1:WebPartContext"/>
  </xs:sequence>
</xs:complexType>
</xs:element>
<xs:element name="RenderFilterResponse">
  <xs:complexType>
    <xs:sequence>
      <xs:element minOccurs="0" name="html" nillable="true" type="xs:string"/>
      <xs:element minOccurs="0" name="script" nillable="true" type="xs:string"/>
    </xs:sequence>
  </xs:complexType>
  <xs:element name="webPartContextUpdate" nillable="true" type="q1:WebPartContextUpdate"/>
  </xs:sequence>
</xs:complexType>
</xs:element>
<xs:element name="GetReportDependencies">
  <xs:complexType>
    <xs:sequence>
      <xs:element minOccurs="0" maxOccurs="1" name="reportLocation"
type="tns:RepositoryLocation"/>
    </xs:sequence>
  </xs:complexType>
</xs:element>
<xs:element name="GetReportDependenciesResponse">
  <xs:complexType>
    <xs:sequence>
      <xs:element minOccurs="0" maxOccurs="1" name="GetReportDependenciesResult"
type="tns:ResourceDependencies"/>
    </xs:sequence>
  </xs:complexType>
</xs:element>
<xs:element name="ReportSupportsExportFormat">
  <xs:complexType>
    <xs:sequence>
      <xs:element minOccurs="1" maxOccurs="1" name="itemFormat" type="tns:ExportFormat"/>
      <xs:element minOccurs="0" maxOccurs="1" name="reportLocation"
type="tns:RepositoryLocation"/>
    </xs:sequence>
  </xs:complexType>
</xs:element>
<xs:simpleType name="ExportFormat">
  <xs:restriction base="xs:string">
    <xs:enumeration value="Excel"/>
    <xs:enumeration value="PowerPoint"/>
  </xs:restriction>

```

```

</xs:simpleType>
<xs:element name="ReportSupportsExportFormatResponse">
  <xs:complexType>
    <xs:sequence>
      <xs:element minOccurs="1" maxOccurs="1" name="ReportSupportsExportFormatResult"
type="xs:boolean"/>
    </xs:sequence>
  </xs:complexType>
</xs:element>
<xs:element name="ExportReport">
  <xs:complexType>
    <xs:sequence>
      <xs:element minOccurs="0" name="exportSettings" nillable="true" type="xs:string"/>
      <xs:element minOccurs="0" name="reportLocation" nillable="true"
type="tns:RepositoryLocation"/>
    </xs:sequence>
  </xs:complexType>
</xs:element>
<xs:element name="ExportReportResponse">
  <xs:complexType>
    <xs:sequence>
      <xs:element
xmlns:q1="http://schemas.datacontract.org/2004/07/Microsoft.PerformancePoint.Scorecards"
minOccurs="0" name="webPartContext" nillable="true" type="q1:WebPartContext"/>
    </xs:sequence>
  </xs:complexType>
</xs:element>
<xs:element name="ExportReportResult">
  <xs:complexType>
    <xs:sequence>
      <xs:element
xmlns:q33="http://schemas.datacontract.org/2004/07/Microsoft.PerformancePoint.Scorecards.Serv
erCommon.Export" minOccurs="0" name="ExportReportInfo" nillable="true"
type="q33:OfficeExportInfo"/>
    </xs:sequence>
  </xs:complexType>
</xs:element>
<xs:element name="ScorecardSupportsExportFormat">
  <xs:complexType>
    <xs:sequence>
      <xs:element minOccurs="1" maxOccurs="1" name="itemFormat" type="tns:ExportFormat"/>
      <xs:element minOccurs="0" maxOccurs="1" name="scorecardLocation"
type="tns:RepositoryLocation"/>
    </xs:sequence>
  </xs:complexType>
</xs:element>
<xs:element name="ScorecardSupportsExportFormatResponse">
  <xs:complexType>
    <xs:sequence>
      <xs:element minOccurs="1" maxOccurs="1" name="ScorecardSupportsExportFormatResult"
type="xs:boolean"/>
    </xs:sequence>
  </xs:complexType>
</xs:element>
<xs:element name="ExportScorecard">
  <xs:complexType>
    <xs:sequence>
      <xs:element minOccurs="0" name="exportSettings" nillable="true" type="xs:string"/>
      <xs:element minOccurs="0" name="scorecardLocation" nillable="true"
type="tns:RepositoryLocation"/>
    </xs:sequence>
  </xs:complexType>
</xs:element>
<xs:element name="ExportScorecardResponse">
  <xs:complexType>
    <xs:sequence>
      <xs:element
xmlns:q1="http://schemas.datacontract.org/2004/07/Microsoft.PerformancePoint.Scorecards"
minOccurs="0" name="webPartContext" nillable="true" type="q1:WebPartContext"/>
    </xs:sequence>
  </xs:complexType>
</xs:element>
<xs:element name="ExportScorecardResult">
  <xs:complexType>
    <xs:sequence>
      <xs:element
xmlns:q33="http://schemas.datacontract.org/2004/07/Microsoft.PerformancePoint.Scorecards.Serv
erCommon.Export" minOccurs="0" name="ExportScorecardInfo" nillable="true"
type="q33:OfficeExportInfo"/>
    </xs:sequence>
  </xs:complexType>
</xs:element>

```

```

</xs:element>
<xs:element name="RenderReport">
  <xs:complexType>
    <xs:sequence>
      <xs:element minOccurs="0" name="proxyCacheAttempt" type="xs:boolean"/>
      <xs:element minOccurs="0" name="reportLocation" nillable="true"
type="tns:RepositoryLocation"/>
      <xs:element minOccurs="0" name="renderTargetId" nillable="true" type="xs:string"/>
      <xs:element minOccurs="0" name="availableHeight" nillable="true" type="xs:string"/>
      <xs:element minOccurs="0" name="availableWidth" nillable="true" type="xs:string"/>
    </xs:sequence>
    xmlns:q1="http://schemas.datacontract.org/2004/07/Microsoft.PerformancePoint.Scorecards"
    minOccurs="0" name="webPartContext" nillable="true" type="q1:WebPartContext"/>
    <xs:element minOccurs="0" name="isAccessibilityMode" type="xs:boolean"/>
  </xs:complexType>
</xs:element>
<xs:element name="RenderReportResponse">
  <xs:complexType>
    <xs:sequence>
      <xs:element minOccurs="0" name="proxyCacheKey" nillable="true" type="xs:string"/>
    </xs:sequence>
    xmlns:q19="http://schemas.datacontract.org/2004/07/Microsoft.PerformancePoint.Scorecards.Serv
erCommon" minOccurs="0" name="proxyCacheSubs" nillable="true"
type="q19:ArrayOfSubstitutionPair"/>
      <xs:element minOccurs="0" name="proxyCacheExpiration" type="xs:dateTime"/>
      <xs:element minOccurs="0" name="html" nillable="true" type="xs:string"/>
      <xs:element minOccurs="0" name="script" nillable="true" type="xs:string"/>
    </xs:sequence>
    xmlns:q1="http://schemas.datacontract.org/2004/07/Microsoft.PerformancePoint.Scorecards"
    minOccurs="0" name="webPartContextUpdate" nillable="true" type="q1:WebPartContextUpdate"/>
  </xs:complexType>
</xs:element>
<xs:element name="GetScorecardDependencies">
  <xs:complexType>
    <xs:sequence>
      <xs:element minOccurs="0" maxOccurs="1" name="scorecardLocation"
type="tns:RepositoryLocation"/>
    </xs:sequence>
  </xs:complexType>
</xs:element>
<xs:element name="GetScorecardDependenciesResponse">
  <xs:complexType>
    <xs:sequence>
      <xs:element minOccurs="0" maxOccurs="1" name="GetScorecardDependenciesResult"
type="tns:ResourceDependencies"/>
    </xs:sequence>
  </xs:complexType>
</xs:element>
<xs:element name="RenderScorecard">
  <xs:complexType>
    <xs:sequence>
      <xs:element minOccurs="0" name="proxyCacheAttempt" type="xs:boolean"/>
      <xs:element minOccurs="0" name="scorecardLocation" nillable="true"
type="tns:RepositoryLocation"/>
      <xs:element minOccurs="0" name="renderTargetId" nillable="true" type="xs:string"/>
      <xs:element minOccurs="0" name="availableHeight" nillable="true" type="xs:string"/>
      <xs:element minOccurs="0" name="availableWidth" nillable="true" type="xs:string"/>
    </xs:sequence>
    xmlns:q1="http://schemas.datacontract.org/2004/07/Microsoft.PerformancePoint.Scorecards"
    minOccurs="0" name="webPartContext" nillable="true" type="q1:WebPartContext"/>
    <xs:element minOccurs="0" name="isAccessibilityMode" type="xs:boolean"/>
  </xs:complexType>
</xs:element>
<xs:element name="RenderScorecardResponse">
  <xs:complexType>
    <xs:sequence>

```

```

        <xs:element minOccurs="0" name="proxyCacheKey" nillable="true" type="xs:string"/>
    </xs:element>
    xmlns:q19="http://schemas.datacontract.org/2004/07/Microsoft.PerformancePoint.Scorecards.Serv
erCommon" minOccurs="0" name="proxyCacheSubs" nillable="true"
type="q19:ArrayOfSubstitutionPair"/>
    <xs:element minOccurs="0" name="proxyCacheExpiration" type="xs:dateTime"/>
    <xs:element minOccurs="0" name="html" nillable="true" type="xs:string"/>
    <xs:element minOccurs="0" name="script" nillable="true" type="xs:string"/>
    </xs:element>
    xmlns:q1="http://schemas.datacontract.org/2004/07/Microsoft.PerformancePoint.Scorecards"
minOccurs="0" name="webPartContextUpdate" nillable="true" type="q1:WebPartContextUpdate"/>
    </xs:sequence>
</xs:complexType>
</xs:element>
<xs:element name="RenderScorecardAjaxControl">
    <xs:complexType>
        <xs:sequence>
            <xs:element minOccurs="0" name="scorecardLocation" nillable="true"
type="tns:RepositoryLocation"/>
            <xs:element minOccurs="0" name="renderTargetId" nillable="true" type="xs:string"/>
            <xs:element minOccurs="0" name="scorecardControlId" nillable="true"
type="xs:string"/>
            <xs:element minOccurs="0" name="scorecardControlType" nillable="true"
type="xs:string"/>
        </xs:sequence>
    </xs:complexType>
    </xs:element>
    xmlns:q1="http://schemas.datacontract.org/2004/07/Microsoft.PerformancePoint.Scorecards"
minOccurs="0" name="webPartContext" nillable="true" type="q1:WebPartContext"/>
    </xs:sequence>
</xs:complexType>
</xs:element>
<xs:element name="RenderScorecardAjaxControlResponse">
    <xs:complexType>
        <xs:sequence>
            <xs:element minOccurs="0" name="html" nillable="true" type="xs:string"/>
        </xs:sequence>
    </xs:complexType>
    </xs:element>
    xmlns:q1="http://schemas.datacontract.org/2004/07/Microsoft.PerformancePoint.Scorecards"
minOccurs="0" name="webPartContextUpdate" nillable="true" type="q1:WebPartContextUpdate"/>
    </xs:sequence>
</xs:complexType>
</xs:element>
<xs:element name="GetRenderControlPreview">
    <xs:complexType>
        <xs:sequence>
            <xs:element minOccurs="0" maxOccurs="1" name="fcoLocation"
type="tns:RepositoryLocation"/>
            <xs:element minOccurs="0" maxOccurs="1" name="viewType" type="xs:string"/>
            <xs:element minOccurs="0" maxOccurs="1" name="width" type="xs:string"/>
            <xs:element minOccurs="0" maxOccurs="1" name="height" type="xs:string"/>
            <xs:element minOccurs="0" maxOccurs="1" name="nav" type="xs:string"/>
            <xs:element minOccurs="0" maxOccurs="1" name="isDesigner" type="xs:string"/>
            <xs:element minOccurs="0" maxOccurs="1" name="pageQuery" type="xs:string"/>
        </xs:sequence>
    </xs:complexType>
</xs:element>
<xs:element name="GetRenderControlPreviewResponse">
    <xs:complexType>
        <xs:sequence>
            <xs:element minOccurs="0" maxOccurs="1" name="GetRenderControlPreviewResult"
type="xs:string"/>
        </xs:sequence>
    </xs:complexType>
</xs:element>
<xs:element name="GetDrillThroughPreview">
    <xs:complexType>
        <xs:sequence>
            <xs:element minOccurs="0" maxOccurs="1" name="fcoLocation"
type="tns:RepositoryLocation"/>
            <xs:element minOccurs="0" maxOccurs="1" name="isScorecard" type="xs:string"/>
            <xs:element minOccurs="0" maxOccurs="1" name="page" type="xs:string"/>
        </xs:sequence>
    </xs:complexType>
</xs:element>

```

```

        <xs:element minOccurs="0" maxOccurs="1" name="tupleXml" type="xs:string"/>
        <xs:element minOccurs="0" maxOccurs="1" name="resultTableIndex" type="xs:string"/>
        <xs:element minOccurs="0" maxOccurs="1" name="isAccessibleMode" type="xs:string"/>
    </xs:sequence>
</xs:complexType>
</xs:element>
<xs:element name="GetDrillThroughPreviewResponse">
    <xs:complexType>
        <xs:sequence>
            <xs:element minOccurs="0" maxOccurs="1" name="GetDrillThroughPreviewResult"
type="xs:string"/>
            <xs:element minOccurs="0" maxOccurs="1" name="title" type="xs:string"/>
            <xs:element minOccurs="0" maxOccurs="1" name="officeDocumentBytes"
type="xs:base64Binary"/>
            <xs:element minOccurs="0" maxOccurs="1" name="documentFileName" type="xs:string"/>
        </xs:sequence>
    </xs:complexType>
</xs:element>
<xs:element name="DecompStartAnalyze">
    <xs:complexType>
        <xs:sequence>
            <xs:element minOccurs="0" maxOccurs="1" name="type" type="xs:string"/>
            <xs:element minOccurs="0" maxOccurs="1" name="location" type="xs:string"/>
            <xs:element minOccurs="0" maxOccurs="1" name="tupleRecord"
type="tns:DecompTupleRecord"/>
            <xs:element minOccurs="0" maxOccurs="1" name="queryParameters"
type="tns:DecompQueryParameters"/>
            <xs:element minOccurs="0" maxOccurs="1" name="viewState" type="xs:string"/>
        </xs:sequence>
    </xs:complexType>
</xs:element>
<xs:complexType name="DecompTupleRecord">
    <xs:sequence>
        <xs:element minOccurs="0" maxOccurs="1" name="RowSelections" type="tns:ArrayOfString"/>
        <xs:element minOccurs="0" maxOccurs="1" name="ColumnSelections"
type="tns:ArrayOfString"/>
        <xs:element minOccurs="0" maxOccurs="1" name="BackgroundMeasureName" type="xs:string"/>
    </xs:sequence>
</xs:complexType>
<xs:element name="DecompStartAnalyzeResponse">
    <xs:complexType>
        <xs:sequence>
            <xs:element minOccurs="0" maxOccurs="1" name="DecompStartAnalyzeResult"
type="tns:DecompRenderResultRecord"/>
        </xs:sequence>
    </xs:complexType>
</xs:element>
<xs:element name="DecompAutoExpand">
    <xs:complexType>
        <xs:sequence>
            <xs:element minOccurs="0" maxOccurs="1" name="navigationContext" type="xs:string"/>
            <xs:element minOccurs="0" maxOccurs="1" name="queryParameters"
type="tns:DecompQueryParameters"/>
            <xs:element minOccurs="0" maxOccurs="1" name="levelUniqueName" type="xs:string"/>
            <xs:element minOccurs="0" maxOccurs="1" name="itemUniqueName" type="xs:string"/>
        </xs:sequence>
    </xs:complexType>
</xs:element>
<xs:element name="DecompAutoExpandResponse">
    <xs:complexType>
        <xs:sequence>
            <xs:element minOccurs="0" maxOccurs="1" name="DecompAutoExpandResult"
type="tns:DecompRenderResultRecord"/>
        </xs:sequence>
    </xs:complexType>
</xs:element>
<xs:element name="GetMdx">
    <xs:complexType>
        <xs:sequence>

```

```

        <xs:element minOccurs="0" maxOccurs="1" name="analyticReportViewLocation"
type="tns:RepositoryLocation"/>
    </xs:sequence>
</xs:complexType>
</xs:element>
<xs:element name="GetMdxResponse">
    <xs:complexType>
        <xs:sequence>
            <xs:element minOccurs="0" maxOccurs="1" name="GetMdxResult" type="xs:string"/>
        </xs:sequence>
    </xs:complexType>
</xs:element>
<xs:element name="SaveTemporaryAnalyticReport">
    <xs:complexType>
        <xs:sequence>
            <xs:element minOccurs="0" maxOccurs="1" name="reportView" type="tns:ReportView"/>
        </xs:sequence>
    </xs:complexType>
</xs:element>
<xs:element name="SaveTemporaryAnalyticReportResponse">
    <xs:complexType>
        <xs:sequence>
            <xs:element xmlns:q2="http://microsoft.com/wsdl/types/" minOccurs="1" maxOccurs="1"
name="SaveTemporaryAnalyticReportResult" type="q2:guid"/>
        </xs:sequence>
    </xs:complexType>
</xs:element>
<xs:element name="SaveTemporaryStrategyMapReport">
    <xs:complexType>
        <xs:sequence>
            <xs:element minOccurs="0" maxOccurs="1" name="reportView" type="tns:ReportView"/>
        </xs:sequence>
    </xs:complexType>
</xs:element>
<xs:element name="SaveTemporaryStrategyMapReportResponse">
    <xs:complexType>
        <xs:sequence>
            <xs:element xmlns:q2="http://microsoft.com/wsdl/types/" minOccurs="1" maxOccurs="1"
name="SaveTemporaryStrategyMapReportResult" type="q2:guid"/>
        </xs:sequence>
    </xs:complexType>
</xs:element>
<xs:element name="GetQueryResultMembers">
    <xs:complexType>
        <xs:sequence>
            <xs:element minOccurs="0" maxOccurs="1" name="analyticReportViewLocation"
type="tns:RepositoryLocation"/>
            <xs:element minOccurs="0" maxOccurs="1" name="formattingDimensionName"
type="xs:string"/>
        </xs:sequence>
    </xs:complexType>
</xs:element>
<xs:element name="GetQueryResultMembersResponse">
    <xs:complexType>
        <xs:sequence>
            <xs:element minOccurs="0" maxOccurs="1" name="GetQueryResultMembersResult"
type="tns:ArrayOfMember"/>
        </xs:sequence>
    </xs:complexType>
</xs:element>
<xs:element name="GetDatabaseNamesFromDataSource">
    <xs:complexType>
        <xs:sequence>
            <xs:element minOccurs="0" maxOccurs="1" name="dataSource" type="tns:DataSource"/>
        </xs:sequence>
    </xs:complexType>
</xs:element>
<xs:element name="GetDatabaseNamesFromDataSourceResponse">
    <xs:complexType>

```

```

    <xs:sequence>
      <xs:element minOccurs="0" maxOccurs="1" name="GetDatabaseNamesFromDataSourceResult"
type="tns:ArrayOfString"/>
    </xs:sequence>
  </xs:complexType>
</xs:element>
<xs:element name="GetPreviewDataSet">
  <xs:complexType>
    <xs:sequence>
      <xs:element minOccurs="1" maxOccurs="1" name="maxrecords" type="xs:int"/>
      <xs:element minOccurs="0" maxOccurs="1" name="dataSource" type="tns:DataSource"/>
    </xs:sequence>
  </xs:complexType>
</xs:element>
<xs:element name="GetPreviewDataSetResponse">
  <xs:complexType>
    <xs:sequence>
      <xs:element minOccurs="0" maxOccurs="1" name="GetPreviewDataSetResult">
        <xs:complexType>
          <xs:sequence>
            <xs:element ref="xs:schema"/>
            <xs:any/>
          </xs:sequence>
        </xs:complexType>
      </xs:element>
    </xs:sequence>
  </xs:complexType>
</xs:element>
<xs:element name="GetCubeNameInfos">
  <xs:complexType>
    <xs:sequence>
      <xs:element minOccurs="0" maxOccurs="1" name="dataSource" type="tns:DataSource"/>
    </xs:sequence>
  </xs:complexType>
</xs:element>
<xs:complexType name="ArrayOfNameInfo">
  <xs:sequence>
    <xs:element minOccurs="0" maxOccurs="unbounded" name="NameInfo" nillable="true"
type="tns:NameInfo"/>
  </xs:sequence>
</xs:complexType>
<xs:element name="GetCubeNameInfosResponse">
  <xs:complexType>
    <xs:sequence>
      <xs:element minOccurs="0" maxOccurs="1" name="GetCubeNameInfosResult"
type="tns:ArrayOfNameInfo"/>
    </xs:sequence>
  </xs:complexType>
</xs:element>
<xs:element name="GetCubeMetaData">
  <xs:complexType>
    <xs:sequence>
      <xs:element minOccurs="0" maxOccurs="1" name="dataSourceLocation"
type="tns:RepositoryLocation"/>
    </xs:sequence>
  </xs:complexType>
</xs:element>
<xs:complexType name="NamedSet">
  <xs:sequence>
    <xs:element minOccurs="0" maxOccurs="1" name="Dimensions" type="tns:ArrayOfString"/>
  </xs:sequence>
  <xs:attribute name="Name" type="xs:string"/>
  <xs:attribute name="Expression" type="xs:string"/>
  <xs:attribute name="DisplayFolder" type="xs:string"/>
</xs:complexType>
<xs:complexType name="ArrayOfDimension">
  <xs:sequence>
    <xs:element minOccurs="0" maxOccurs="unbounded" name="Dimension" nillable="true"
type="tns:Dimension"/>
  </xs:sequence>
</xs:complexType>

```

```

    </xs:sequence>
  </xs:complexType>
  <xs:complexType name="ArrayOfMeasure">
    <xs:sequence>
      <xs:element minOccurs="0" maxOccurs="unbounded" name="Measure" nillable="true"
type="tns:Measure"/>
    </xs:sequence>
  </xs:complexType>
  <xs:complexType name="Measure">
    <xs:complexContent mixed="false">
      <xs:extension base="tns:NameInfo">
        <xs:attribute name="AggregatorValue" type="xs:int" use="required"/>
        <xs:attribute name="MeasureGroup" type="xs:string"/>
        <xs:attribute name="DisplayFolder" type="xs:string"/>
        <xs:attribute name="HierarchyName" type="xs:string"/>
      </xs:extension>
    </xs:complexContent>
  </xs:complexType>
  <xs:complexType name="ArrayOfNamedSet">
    <xs:sequence>
      <xs:element minOccurs="0" maxOccurs="unbounded" name="NamedSet" nillable="true"
type="tns:NamedSet"/>
    </xs:sequence>
  </xs:complexType>
  <xs:element name="GetCubeMetaDataResponse">
    <xs:complexType>
      <xs:sequence>
        <xs:element minOccurs="0" maxOccurs="1" name="GetCubeMetaDataResult"
type="tns:Cube"/>
      </xs:sequence>
    </xs:complexType>
  </xs:element>
  <xs:complexType name="Cube">
    <xs:complexContent mixed="false">
      <xs:extension base="tns:NameInfo">
        <xs:sequence>
          <xs:element minOccurs="0" maxOccurs="1" name="Dimensions"
type="tns:ArrayOfDimension"/>
          <xs:element minOccurs="0" maxOccurs="1" name="MeasureGroups"
type="tns:ArrayOfNameInfo"/>
          <xs:element minOccurs="0" maxOccurs="1" name="Measures" type="tns:ArrayOfMeasure"/>
          <xs:element minOccurs="0" maxOccurs="1" name="NamedSets"
type="tns:ArrayOfNamedSet"/>
        </xs:sequence>
        <xs:attribute name="Version" type="xs:int" use="required"/>
      </xs:extension>
    </xs:complexContent>
  </xs:complexType>
  <xs:element name="GetCubeMetaDataForDataSource">
    <xs:complexType>
      <xs:sequence>
        <xs:element minOccurs="0" maxOccurs="1" name="dataSource" type="tns:DataSource"/>
      </xs:sequence>
    </xs:complexType>
  </xs:element>
  <xs:element name="GetCubeMetaDataForDataSourceResponse">
    <xs:complexType>
      <xs:sequence>
        <xs:element minOccurs="0" maxOccurs="1" name="GetCubeMetaDataForDataSourceResult"
type="tns:Cube"/>
      </xs:sequence>
    </xs:complexType>
  </xs:element>
  <xs:element name="TestConnection">
    <xs:complexType>
      <xs:sequence>
        <xs:element minOccurs="0" maxOccurs="1" name="dataSource" type="tns:DataSource"/>
      </xs:sequence>
    </xs:complexType>
  </xs:element>

```



```

</xs:element>
<xs:element name="TestConnectionResponse">
  <xs:complexType>
    <xs:sequence>
      <xs:element minOccurs="1" maxOccurs="1" name="TestConnectionResult"
type="xs:boolean"/>
    </xs:sequence>
  </xs:complexType>
</xs:element>
<xs:element name="GetDimensions">
  <xs:complexType>
    <xs:sequence>
      <xs:element minOccurs="0" maxOccurs="1" name="dataSourceLocation"
type="tns:RepositoryLocation"/>
    </xs:sequence>
  </xs:complexType>
</xs:element>
<xs:element name="GetDimensionsResponse">
  <xs:complexType>
    <xs:sequence>
      <xs:element minOccurs="0" maxOccurs="1" name="GetDimensionsResult"
type="tns:ArrayOfDimension"/>
    </xs:sequence>
  </xs:complexType>
</xs:element>
<xs:element name="GetDimensionsFromDataSource">
  <xs:complexType>
    <xs:sequence>
      <xs:element minOccurs="0" maxOccurs="1" name="dataSource" type="tns:DataSource"/>
    </xs:sequence>
  </xs:complexType>
</xs:element>
<xs:element name="GetDimensionsFromDataSourceResponse">
  <xs:complexType>
    <xs:sequence>
      <xs:element minOccurs="0" maxOccurs="1" name="GetDimensionsFromDataSourceResult"
type="tns:ArrayOfDimension"/>
    </xs:sequence>
  </xs:complexType>
</xs:element>
<xs:element name="GetCube">
  <xs:complexType>
    <xs:sequence>
      <xs:element minOccurs="0" maxOccurs="1" name="dataSourceLocation"
type="tns:RepositoryLocation"/>
    </xs:sequence>
  </xs:complexType>
</xs:element>
<xs:element name="GetCubeResponse">
  <xs:complexType>
    <xs:sequence>
      <xs:element minOccurs="0" maxOccurs="1" name="GetCubeResult" type="tns:Cube"/>
    </xs:sequence>
  </xs:complexType>
</xs:element>
<xs:element name="GetCubeFromDataSource">
  <xs:complexType>
    <xs:sequence>
      <xs:element minOccurs="0" maxOccurs="1" name="dataSource" type="tns:DataSource"/>
    </xs:sequence>
  </xs:complexType>
</xs:element>
<xs:element name="GetCubeFromDataSourceResponse">
  <xs:complexType>
    <xs:sequence>
      <xs:element minOccurs="0" maxOccurs="1" name="GetCubeFromDataSourceResult"
type="tns:Cube"/>
    </xs:sequence>
  </xs:complexType>

```

```

</xs:element>
<xs:element name="QueryDimensionRootMembers">
  <xs:complexType>
    <xs:sequence>
      <xs:element minOccurs="0" maxOccurs="1" name="dataSourceLocation"
type="tns:RepositoryLocation"/>
      <xs:element minOccurs="0" maxOccurs="1" name="dimensionName" type="xs:string"/>
    </xs:sequence>
  </xs:complexType>
</xs:element>
<xs:element name="QueryDimensionRootMembersResponse">
  <xs:complexType>
    <xs:sequence>
      <xs:element minOccurs="0" maxOccurs="1" name="QueryDimensionRootMembersResult"
type="tns:ArrayOfMember"/>
    </xs:sequence>
  </xs:complexType>
</xs:element>
<xs:element name="QueryDimensionRootMembersFromDataSource">
  <xs:complexType>
    <xs:sequence>
      <xs:element minOccurs="0" maxOccurs="1" name="dataSource" type="tns:DataSource"/>
      <xs:element minOccurs="0" maxOccurs="1" name="dimensionName" type="xs:string"/>
    </xs:sequence>
  </xs:complexType>
</xs:element>
<xs:element name="QueryDimensionRootMembersFromDataSourceResponse">
  <xs:complexType>
    <xs:sequence>
      <xs:element minOccurs="0" maxOccurs="1"
name="QueryDimensionRootMembersFromDataSourceResult" type="tns:ArrayOfMember"/>
    </xs:sequence>
  </xs:complexType>
</xs:element>
<xs:element name="QueryTransformMembers">
  <xs:complexType>
    <xs:sequence>
      <xs:element minOccurs="0" maxOccurs="1" name="dataSourceLocation"
type="tns:RepositoryLocation"/>
      <xs:element minOccurs="0" maxOccurs="1" name="memberCollection"
type="tns:ArrayOfMember"/>
      <xs:element minOccurs="1" maxOccurs="1" name="transformType"
type="tns:QueryTransformMembersType"/>
    </xs:sequence>
  </xs:complexType>
</xs:element>
<xs:simpleType name="QueryTransformMembersType">
  <xs:restriction base="xs:string">
    <xs:enumeration value="Hierarchize"/>
    <xs:enumeration value="Parents"/>
    <xs:enumeration value="Ancestors"/>
    <xs:enumeration value="AscendantsIntersect"/>
  </xs:restriction>
</xs:simpleType>
<xs:element name="QueryTransformMembersResponse">
  <xs:complexType>
    <xs:sequence>
      <xs:element minOccurs="0" maxOccurs="1" name="QueryTransformMembersResult"
type="tns:ArrayOfMember"/>
    </xs:sequence>
  </xs:complexType>
</xs:element>
<xs:element name="QueryChildMembers">
  <xs:complexType>
    <xs:sequence>
      <xs:element minOccurs="0" maxOccurs="1" name="dataSourceLocation"
type="tns:RepositoryLocation"/>
      <xs:element minOccurs="0" maxOccurs="1" name="memberUniqueName" type="xs:string"/>
    </xs:sequence>
  </xs:complexType>
</xs:element>

```

```

    </xs:complexType>
  </xs:element>
  <xs:element name="QueryChildMembersResponse">
    <xs:complexType>
      <xs:sequence>
        <xs:element minOccurs="0" maxOccurs="1" name="QueryChildMembersResult"
type="tns:ArrayOfMember"/>
      </xs:sequence>
    </xs:complexType>
  </xs:element>
  <xs:element name="QueryChildMembersFromDataSource">
    <xs:complexType>
      <xs:sequence>
        <xs:element minOccurs="0" maxOccurs="1" name="dataSource" type="tns:DataSource"/>
        <xs:element minOccurs="0" maxOccurs="1" name="memberUniqueName" type="xs:string"/>
      </xs:sequence>
    </xs:complexType>
  </xs:element>
  <xs:element name="QueryChildMembersFromDataSourceResponse">
    <xs:complexType>
      <xs:sequence>
        <xs:element minOccurs="0" maxOccurs="1" name="QueryChildMembersFromDataSourceResult"
type="tns:ArrayOfMember"/>
      </xs:sequence>
    </xs:complexType>
  </xs:element>
  <xs:element name="QueryChildMembersByRangeFromDataSource">
    <xs:complexType>
      <xs:sequence>
        <xs:element minOccurs="0" maxOccurs="1" name="dataSource" type="tns:DataSource"/>
        <xs:element minOccurs="0" maxOccurs="1" name="self" type="xs:string"/>
        <xs:element minOccurs="1" maxOccurs="1" name="start" type="xs:long"/>
        <xs:element minOccurs="1" maxOccurs="1" name="count" type="xs:long"/>
      </xs:sequence>
    </xs:complexType>
  </xs:element>
  <xs:element name="QueryChildMembersByRangeFromDataSourceResponse">
    <xs:complexType>
      <xs:sequence>
        <xs:element minOccurs="0" maxOccurs="1"
name="QueryChildMembersByRangeFromDataSourceResult" type="tns:ArrayOfMember"/>
      </xs:sequence>
    </xs:complexType>
  </xs:element>
  <xs:element name="QueryRelatedMember">
    <xs:complexType>
      <xs:sequence>
        <xs:element minOccurs="0" maxOccurs="1" name="dataSourceLocation"
type="tns:RepositoryLocation"/>
        <xs:element minOccurs="0" maxOccurs="1" name="memberUniqueName" type="xs:string"/>
        <xs:element minOccurs="1" maxOccurs="1" name="relationship"
type="tns:MemberRelationship"/>
      </xs:sequence>
    </xs:complexType>
  </xs:element>
  <xs:simpleType name="MemberRelationship">
    <xs:restriction base="xs:string">
      <xs:enumeration value="Parent"/>
      <xs:enumeration value="FirstSibling"/>
      <xs:enumeration value="PrevMember"/>
      <xs:enumeration value="NextMember"/>
      <xs:enumeration value="LastSibling"/>
      <xs:enumeration value="FirstChild"/>
      <xs:enumeration value="LastChild"/>
      <xs:enumeration value="CurrentMember"/>
      <xs:enumeration value="Children"/>
    </xs:restriction>
  </xs:simpleType>
  <xs:element name="QueryRelatedMemberResponse">

```

```

    <xs:complexType>
      <xs:sequence>
        <xs:element minOccurs="0" maxOccurs="1" name="QueryRelatedMemberResult"
type="tns:Member"/>
      </xs:sequence>
    </xs:complexType>
  </xs:element>
  <xs:element name="QueryRelatedMemberFromDataSource">
    <xs:complexType>
      <xs:sequence>
        <xs:element minOccurs="0" maxOccurs="1" name="dataSource" type="tns:DataSource"/>
        <xs:element minOccurs="0" maxOccurs="1" name="memberUniqueName" type="xs:string"/>
        <xs:element minOccurs="1" maxOccurs="1" name="relationship"
type="tns:MemberRelationship"/>
      </xs:sequence>
    </xs:complexType>
  </xs:element>
  <xs:element name="QueryRelatedMemberFromDataSourceResponse">
    <xs:complexType>
      <xs:sequence>
        <xs:element minOccurs="0" maxOccurs="1" name="QueryRelatedMemberFromDataSourceResult"
type="tns:Member"/>
      </xs:sequence>
    </xs:complexType>
  </xs:element>
  <xs:element name="QueryNamedSets">
    <xs:complexType>
      <xs:sequence>
        <xs:element minOccurs="0" maxOccurs="1" name="dataSourceLocation"
type="tns:RepositoryLocation"/>
      </xs:sequence>
    </xs:complexType>
  </xs:element>
  <xs:element name="QueryNamedSetsResponse">
    <xs:complexType>
      <xs:sequence>
        <xs:element minOccurs="0" maxOccurs="1" name="QueryNamedSetsResult"
type="tns:ArrayOfNamedSet"/>
      </xs:sequence>
    </xs:complexType>
  </xs:element>
  <xs:element name="QueryNamedSetsFromDataSource">
    <xs:complexType>
      <xs:sequence>
        <xs:element minOccurs="0" maxOccurs="1" name="dataSource" type="tns:DataSource"/>
      </xs:sequence>
    </xs:complexType>
  </xs:element>
  <xs:element name="QueryNamedSetsFromDataSourceResponse">
    <xs:complexType>
      <xs:sequence>
        <xs:element minOccurs="0" maxOccurs="1" name="QueryNamedSetsFromDataSourceResult"
type="tns:ArrayOfNamedSet"/>
      </xs:sequence>
    </xs:complexType>
  </xs:element>
  <xs:element name="ValidateKpi">
    <xs:complexType>
      <xs:sequence>
        <xs:element minOccurs="0" maxOccurs="1" name="location"
type="tns:RepositoryLocation"/>
      </xs:sequence>
    </xs:complexType>
  </xs:element>
  <xs:element name="ValidateKpiResponse">
    <xs:complexType>
      <xs:sequence>
        <xs:element minOccurs="0" maxOccurs="1" name="ValidateKpiResult"
type="tns:ArrayOfString"/>

```

```

        </xs:sequence>
    </xs:complexType>
</xs:element>
<xs:element name="ValidateScorecard">
    <xs:complexType>
        <xs:sequence>
            <xs:element minOccurs="0" maxOccurs="1" name="location"
type="tns:RepositoryLocation"/>
        </xs:sequence>
    </xs:complexType>
</xs:element>
<xs:element name="ValidateScorecardResponse">
    <xs:complexType>
        <xs:sequence>
            <xs:element minOccurs="0" maxOccurs="1" name="ValidateScorecardResult"
type="tns:ArrayOfString"/>
        </xs:sequence>
    </xs:complexType>
</xs:element>
<xs:element name="RepositoryLocation" nillable="true" type="tns:RepositoryLocation"/>
<xs:complexType name="BpmException">
    <xs:complexContent mixed="false">
        <xs:extension xmlns:q3="http://schemas.datacontract.org/2004/07/System"
base="q3:ApplicationException">
            <xs:sequence>
                <xs:element minOccurs="1" maxOccurs="1" name="EventLogged" type="xs:boolean"/>
            </xs:sequence>
        </xs:extension>
    </xs:complexContent>
</xs:complexType>
<xs:element name="ExportSettings" nillable="true" type="tns:ExportSettings"/>
<xs:complexType name="ExportSettings">
    <xs:sequence>
        <xs:element minOccurs="0" maxOccurs="1" name="WebPartTitle" type="xs:string"/>
        <xs:element minOccurs="0" maxOccurs="1" name="PageTitle" type="xs:string"/>
        <xs:element minOccurs="1" maxOccurs="1" name="ExportFormat" type="tns:ExportFormat"/>
        <xs:element minOccurs="0" maxOccurs="1" name="DashboardLink" type="xs:string"/>
    </xs:sequence>
</xs:complexType>
<xs:element name="ArrayOfArrayOfString" nillable="true" type="tns:ArrayOfArrayOfString"/>
<xs:complexType name="ArrayOfArrayOfKeyValueOfstringanyType">
    <xs:sequence>
        <xs:element minOccurs="0" maxOccurs="unbounded" name="ArrayOfKeyValueOfstringanyType"
nillable="true" type="tns:ArrayOfKeyValueOfstringanyType"/>
    </xs:sequence>
</xs:complexType>
<xs:element name="ArrayOfArrayOfKeyValueOfstringanyType" nillable="true"
type="tns:ArrayOfArrayOfKeyValueOfstringanyType"/>
<xs:complexType name="ArrayOfKeyValueOfstringanyType">
    <xs:sequence>
        <xs:element minOccurs="0" maxOccurs="unbounded" name="KeyValueOfstringanyType">
            <xs:complexType>
                <xs:sequence>
                    <xs:element name="Key" nillable="true" type="xs:string"/>
                    <xs:element name="Value" nillable="true" type="xs:anyType"/>
                </xs:sequence>
            </xs:complexType>
        </xs:element>
    </xs:sequence>
</xs:complexType>
<xs:element name="ArrayOfKeyValueOfstringanyType" nillable="true"
type="tns:ArrayOfKeyValueOfstringanyType"/>
<xs:element name="WebPartContext" nillable="true" type="tns:WebPartContext"/>
<xs:complexType name="DictionaryWrapperOfStringArrayOfString">
    <xs:sequence>
        <xs:element name="keys" nillable="true" type="tns:ArrayOfString"/>
        <xs:element name="values" nillable="true" type="tns:ArrayOfArrayOfString"/>
    </xs:sequence>
</xs:complexType>

```

```

    <xs:element name="DictionaryWrapperOfStringArrayOfString" nillable="true"
type="tns:DictionaryWrapperOfStringArrayOfString"/>
    <xs:complexType name="ArrayOfBIData">
      <xs:sequence>
        <xs:element minOccurs="0" maxOccurs="unbounded" name="BIData" nillable="true"
type="tns:BIData"/>
      </xs:sequence>
    </xs:complexType>
    <xs:element name="ArrayOfBIData" nillable="true" type="tns:ArrayOfBIData"/>
    <xs:complexType name="BIData">
      <xs:sequence>
        <xs:element minOccurs="0" name="_consumerParameter" nillable="true" type="xs:string"/>
        <xs:element minOccurs="0" name="_dataValidated" type="xs:boolean"/>
        <xs:element minOccurs="0" name="_displayColumnName" nillable="true" type="xs:string"/>
        <xs:element minOccurs="0" name="_providerValues" nillable="true"
type="tns:ArrayOfArrayOfKeyValueOfstringanyType"/>
        <xs:element minOccurs="0" name="valuesColumnName" nillable="true" type="xs:string"/>
      </xs:sequence>
    </xs:complexType>
    <xs:element name="BIData" nillable="true" type="tns:BIData"/>
    <xs:complexType name="WebPartContextUpdate">
      <xs:sequence>
        <xs:element name="clientViewStateWrapper" nillable="true"
type="tns:DictionaryWrapperOfStringString"/>
        <xs:element name="_legacyFilterSelections" nillable="true" type="tns:ArrayOfBIData"/>
      </xs:sequence>
    </xs:complexType>
    <xs:element name="WebPartContextUpdate" nillable="true" type="tns:WebPartContextUpdate"/>
    <xs:complexType name="ParameterMessage">
      <xs:complexContent mixed="false">
        <xs:extension base="tns:ParameterDefinition">
          <xs:sequence>
            <xs:element xmlns:q2="http://microsoft.com/wsd/types/" name="dashboardItemId"
type="q2:guid"/>
            <xs:element xmlns:q2="http://microsoft.com/wsd/types/" name="mappingId"
type="q2:guid"/>
            <xs:element name="values" nillable="true">
              <xs:complexType>
                <xs:sequence>
                  <xs:any minOccurs="0" maxOccurs="unbounded"
namespace="http://www.w3.org/2001/XMLSchema" processContents="lax"/>
                  <xs:any minOccurs="1" namespace="urn:schemas-microsoft-com:xml-diffgram-v1"
processContents="lax"/>
                </xs:sequence>
              </xs:complexType>
            </xs:element>
          </xs:sequence>
        </xs:extension>
      </xs:complexContent>
    </xs:complexType>
    <xs:element name="ParameterMessage" nillable="true" type="tns:ParameterMessage"/>
    <xs:element name="ListLocation" nillable="true" type="tns:ListLocation"/>
    <xs:complexType name="ListLocation">
      <xs:sequence>
        <xs:element minOccurs="0" maxOccurs="1" name="SiteUrl" type="xs:string"/>
        <xs:element minOccurs="0" maxOccurs="1" name="ListUrl" type="xs:string"/>
      </xs:sequence>
    </xs:complexType>
    <xs:element name="RenderTreeMemberSelector">
      <xs:complexType>
        <xs:sequence>
          <xs:element minOccurs="0" maxOccurs="1" name="dataSource" type="tns:DataSource"/>
          <xs:element minOccurs="0" maxOccurs="1" name="memberUniqueName" type="xs:string"/>
          <xs:element minOccurs="0" maxOccurs="1" name="dimensionUniqueName" type="xs:string"/>
          <xs:element minOccurs="0" maxOccurs="1" name="selectedMemberNamesStr"
type="xs:string"/>
          <xs:element minOccurs="0" maxOccurs="1" name="clientInstance" type="xs:string"/>
          <xs:element minOccurs="0" maxOccurs="1" name="targetControlId" type="xs:string"/>
          <xs:element minOccurs="1" maxOccurs="1" name="index" type="xs:int"/>
        </xs:sequence>
      </xs:complexType>
    </xs:element>
  </xs:sequence>
</xs:complexType>

```

```

        <xs:element minOccurs="1" maxOccurs="1" name="maxNumRecordsToRender" type="xs:int"/>
        <xs:element minOccurs="0" maxOccurs="1" name="resourcePath" type="xs:string"/>
        <xs:element minOccurs="0" maxOccurs="1" name="displayTreeHeaderFlagStr"
type="xs:string"/>
        <xs:element minOccurs="0" maxOccurs="1" name="displayTreeFooterFlagStr"
type="xs:string"/>
    </xs:sequence>
</xs:complexType>
</xs:element>
<xs:element name="RenderTreeMemberSelectorResponse">
    <xs:complexType>
        <xs:sequence>
            <xs:element minOccurs="0" maxOccurs="1" name="RenderTreeMemberSelectorResult"
type="xs:string"/>
        </xs:sequence>
    </xs:complexType>
</xs:element>
<xs:complexType name="_dd">
    <xs:sequence>
        <xs:element minOccurs="1" maxOccurs="1" name="RowMembers">
            <xs:complexType>
                <xs:sequence>
                    <xs:element minOccurs="0" maxOccurs="unbounded" name="Row">
                        <xs:complexType>
                            <xs:attribute name="name" type="xs:string" use="required"/>
                            <xs:attribute name="caption" type="xs:string" use="required"/>
                        </xs:complexType>
                    </xs:element>
                </xs:sequence>
            </xs:complexType>
        </xs:element>
        <xs:element minOccurs="1" maxOccurs="1" name="ColumnMembers">
            <xs:complexType>
                <xs:sequence>
                    <xs:element minOccurs="0" maxOccurs="unbounded" name="Column">
                        <xs:complexType>
                            <xs:attribute name="name" type="xs:string" use="required"/>
                            <xs:attribute name="caption" type="xs:string" use="required"/>
                        </xs:complexType>
                    </xs:element>
                </xs:sequence>
            </xs:complexType>
        </xs:element>
        <xs:element minOccurs="1" maxOccurs="1" name="BackgroundMembers">
            <xs:complexType>
                <xs:sequence>
                    <xs:element minOccurs="0" maxOccurs="unbounded" name="Filter">
                        <xs:complexType>
                            <xs:attribute name="name" type="xs:string" use="required"/>
                            <xs:attribute name="caption" type="xs:string" use="required"/>
                        </xs:complexType>
                    </xs:element>
                </xs:sequence>
            </xs:complexType>
        </xs:element>
    </xs:sequence>
</xs:complexType>
</xs:schema>

```

## 7.2 <http://schemas.microsoft.com/2003/10/Serialization/> Schema

```

<?xml version="1.0"?>
<xs:schema xmlns:tns1="http://schemas.microsoft.com/2003/10/Serialization/"
attributeFormDefault="qualified" elementFormDefault="qualified"
targetNamespace="http://schemas.microsoft.com/2003/10/Serialization/"
xmlns:xs="http://www.w3.org/2001/XMLSchema">
    <xs:element name="anyType" nillable="true" type="xs:anyType"/>

```

```

<xs:element name="anyURI" nillable="true" type="xs:anyURI"/>
<xs:element name="base64Binary" nillable="true" type="xs:base64Binary"/>
<xs:element name="boolean" nillable="true" type="xs:boolean"/>
<xs:element name="byte" nillable="true" type="xs:byte"/>
<xs:element name="dateTime" nillable="true" type="xs:dateTime"/>
<xs:element name="decimal" nillable="true" type="xs:decimal"/>
<xs:element name="double" nillable="true" type="xs:double"/>
<xs:element name="float" nillable="true" type="xs:float"/>
<xs:element name="int" nillable="true" type="xs:int"/>
<xs:element name="long" nillable="true" type="xs:long"/>
<xs:element name="QName" nillable="true" type="xs:QName"/>
<xs:element name="short" nillable="true" type="xs:short"/>
<xs:element name="string" nillable="true" type="xs:string"/>
<xs:element name="unsignedByte" nillable="true" type="xs:unsignedByte"/>
<xs:element name="unsignedInt" nillable="true" type="xs:unsignedInt"/>
<xs:element name="unsignedLong" nillable="true" type="xs:unsignedLong"/>
<xs:element name="unsignedShort" nillable="true" type="xs:unsignedShort"/>
<xs:element name="char" nillable="true" type="tns1:char"/>
<xs:simpleType name="char">
  <xs:restriction base="xs:int"/>
</xs:simpleType>
<xs:element name="duration" nillable="true" type="tns1:duration"/>
<xs:simpleType name="duration">
  <xs:restriction base="xs:duration">
    <xs:pattern value="\-?P(\d*D)?(T(\d*H)?(\d*M)?(\d*(\.\d*)?S)?)?"/>
    <xs:minInclusive value="-P10675199DT2H48M5.4775808S"/>
    <xs:maxInclusive value="P10675199DT2H48M5.4775807S"/>
  </xs:restriction>
</xs:simpleType>
<xs:element name="guid" nillable="true" type="tns1:guid"/>
<xs:simpleType name="guid">
  <xs:restriction base="xs:string">
    <xs:pattern value="[\da-fA-F]{8}-[\da-fA-F]{4}-[\da-fA-F]{4}-[\da-fA-F]{4}-[\da-fA-F]{12}"/>
  </xs:restriction>
</xs:simpleType>
<xs:attribute name="FactoryType" type="xs:QName"/>
<xs:attribute name="Id" type="xs:ID"/>
<xs:attribute name="Ref" type="xs:IDREF"/>
</xs:schema>

```

### 7.3 <http://schemas.datacontract.org/2004/07/Microsoft.PerformancePoint.Scorecards.ServerCommon.Export> Schema

```

<?xml version="1.0"?>
<xs:schema
  xmlns:q33="http://schemas.datacontract.org/2004/07/Microsoft.PerformancePoint.Scorecards.ServerCommon.Export"
  elementFormDefault="qualified"
  targetNamespace="http://schemas.datacontract.org/2004/07/Microsoft.PerformancePoint.Scorecards.ServerCommon.Export"
  xmlns:xs="http://www.w3.org/2001/XMLSchema">
  <xs:complexType name="OfficeExportInfo">
    <xs:sequence>
      <xs:element minOccurs="0" name="_downloadFileName" nillable="true" type="xs:string"/>
      <xs:element minOccurs="0" name="exportData" nillable="true" type="xs:base64Binary"/>
      <xs:element minOccurs="0" name="exportUri" nillable="true" type="xs:string"/>
    </xs:sequence>
  </xs:complexType>
  <xs:element name="OfficeExportInfo" nillable="true" type="q33:OfficeExportInfo"/>
</xs:schema>

```

### 7.4 <http://schemas.datacontract.org/2004/07/Microsoft.PerformancePoint.Scorecards.Schema>

```

<?xml version="1.0"?>

```



```

<xs:schema xmlns:tns1="http://schemas.microsoft.com/2003/10/Serialization/"
xmlns:q1="http://schemas.datacontract.org/2004/07/Microsoft.PerformancePoint.Scorecards"
elementFormDefault="qualified"
targetNamespace="http://schemas.datacontract.org/2004/07/Microsoft.PerformancePoint.Scorecard
s" xmlns:xs="http://www.w3.org/2001/XMLSchema">
  <xs:import namespace="http://schemas.datacontract.org/2004/07/System"/>
  <xs:import namespace="http://schemas.microsoft.com/2003/10/Serialization/Arrays"/>
  <xs:import namespace="http://schemas.microsoft.com/2003/10/Serialization/" />
  <xs:complexType name="BpmException">
    <xs:complexContent mixed="false">
      <xs:extension xmlns:q3="http://schemas.datacontract.org/2004/07/System"
base="q3:ApplicationException"/>
    </xs:complexContent>
  </xs:complexType>
  <xs:element name="BpmException" nillable="true" type="q1:BpmException"/>
  <xs:complexType name="GridTooLargeForExportToExcelException">
    <xs:complexContent mixed="false">
      <xs:extension base="q1:BpmException"/>
    </xs:complexContent>
  </xs:complexType>
  <xs:element name="GridTooLargeForExportToExcelException" nillable="true"
type="q1:GridTooLargeForExportToExcelException"/>
  <xs:complexType name="BpmDashboardItemNotFoundException">
    <xs:complexContent mixed="false">
      <xs:extension base="q1:BpmException"/>
    </xs:complexContent>
  </xs:complexType>
  <xs:element name="BpmDashboardItemNotFoundException" nillable="true"
type="q1:BpmDashboardItemNotFoundException"/>
  <xs:complexType name="GridTooLargeForExportToPowerPointException">
    <xs:complexContent mixed="false">
      <xs:extension base="q1:BpmException"/>
    </xs:complexContent>
  </xs:complexType>
  <xs:element name="GridTooLargeForExportToPowerPointException" nillable="true"
type="q1:GridTooLargeForExportToPowerPointException"/>
  <xs:complexType name="BpmRenderingException">
    <xs:complexContent mixed="false">
      <xs:extension base="q1:BpmException"/>
    </xs:complexContent>
  </xs:complexType>
  <xs:element name="BpmRenderingException" nillable="true" type="q1:BpmRenderingException"/>
  <xs:complexType name="BpmWarning">
    <xs:complexContent mixed="false">
      <xs:extension base="q1:BpmException"/>
    </xs:complexContent>
  </xs:complexType>
  <xs:element name="BpmWarning" nillable="true" type="q1:BpmWarning"/>
  <xs:complexType name="BpmServerExportException">
    <xs:complexContent mixed="false">
      <xs:extension base="q1:BpmException"/>
    </xs:complexContent>
  </xs:complexType>
  <xs:element name="BpmServerExportException" nillable="true"
type="q1:BpmServerExportException"/>
  <xs:complexType name="BpmDevException">
    <xs:complexContent mixed="false">
      <xs:extension base="q1:BpmException"/>
    </xs:complexContent>
  </xs:complexType>
  <xs:element name="BpmDevException" nillable="true" type="q1:BpmDevException"/>
  <xs:complexType name="BpmNoAccessException">
    <xs:complexContent mixed="false">
      <xs:extension base="q1:BpmException"/>
    </xs:complexContent>
  </xs:complexType>
  <xs:element name="BpmNoAccessException" nillable="true" type="q1:BpmNoAccessException"/>
  <xs:complexType name="WebPartContext">
    <xs:sequence>

```

```

    <xs:element name="_clientViewState" nillable="true"
type="q1:DictionaryWrapperOfstringstring"/>
    <xs:element name="_filterSelections" nillable="true" type="q1:ArrayOfBIData"/>
    <xs:element xmlns:q4="http://schemas.microsoft.com/2003/10/Serialization/Arrays"
name="_inUseProviderParameterNames" nillable="true" type="q4:ArrayOfstring"/>
    <xs:element name="legacyFilterSelections" nillable="true" type="q1:ArrayOfBIData"/>
    <xs:element name="_providerParameterSelections" nillable="true"
type="q1:DictionaryWrapperOfstringArrayOfstringty7Ep6D1"/>
  </xs:sequence>
</xs:complexType>
<xs:element name="WebPartContext" nillable="true" type="q1:WebPartContext"/>
<xs:complexType name="DictionaryWrapperOfstringstring">
  <xs:sequence>
    <xs:element xmlns:q4="http://schemas.microsoft.com/2003/10/Serialization/Arrays"
name="dictionary" nillable="true"
type="q4:ArrayOfKeyValueOfstringKeyValuePairOfintstringtwCi8m_S7"/>
    <xs:element xmlns:q4="http://schemas.microsoft.com/2003/10/Serialization/Arrays"
name="keys" nillable="true" type="q4:ArrayOfstring"/>
    <xs:element xmlns:q4="http://schemas.microsoft.com/2003/10/Serialization/Arrays"
name="values" nillable="true" type="q4:ArrayOfstring"/>
  </xs:sequence>
</xs:complexType>
<xs:element name="DictionaryWrapperOfstringstring" nillable="true"
type="q1:DictionaryWrapperOfstringstring"/>
<xs:complexType name="ArrayOfBIData">
  <xs:sequence>
    <xs:element minOccurs="0" maxOccurs="unbounded" name="BIData" nillable="true"
type="q1:BIData"/>
  </xs:sequence>
</xs:complexType>
<xs:element name="ArrayOfBIData" nillable="true" type="q1:ArrayOfBIData"/>
<xs:complexType name="BIData">
  <xs:sequence>
    <xs:element minOccurs="0" name="consumerParameter" nillable="true" type="xs:string"/>
    <xs:element minOccurs="0" name="_dataValidated" type="xs:boolean"/>
    <xs:element minOccurs="0" name="displayColumnName" nillable="true" type="xs:string"/>
    <xs:element xmlns:q4="http://schemas.microsoft.com/2003/10/Serialization/Arrays"
minOccurs="0" name="_providerValues" nillable="true"
type="q4:ArrayOfArrayOfKeyValueOfstringanyType"/>
    <xs:element minOccurs="0" name="valuesColumnName" nillable="true" type="xs:string"/>
  </xs:sequence>
</xs:complexType>
<xs:element name="BIData" nillable="true" type="q1:BIData"/>
<xs:complexType name="DictionaryWrapperOfstringArrayOfstringty7Ep6D1">
  <xs:sequence>
    <xs:element xmlns:q4="http://schemas.microsoft.com/2003/10/Serialization/Arrays"
name="dictionary" nillable="true"
type="q4:ArrayOfKeyValueOfstringKeyValuePairOfintArrayOfstringty7Ep6D1twCi8m_S7"/>
    <xs:element xmlns:q4="http://schemas.microsoft.com/2003/10/Serialization/Arrays"
name="keys" nillable="true" type="q4:ArrayOfstring"/>
    <xs:element xmlns:q4="http://schemas.microsoft.com/2003/10/Serialization/Arrays"
name="values" nillable="true" type="q4:ArrayOfArrayOfstring"/>
  </xs:sequence>
</xs:complexType>
<xs:element name="DictionaryWrapperOfstringArrayOfstringty7Ep6D1" nillable="true"
type="q1:DictionaryWrapperOfstringArrayOfstringty7Ep6D1"/>
<xs:complexType name="ParameterMessage">
  <xs:complexContent mixed="false">
    <xs:extension base="q1:ParameterDefinition">
      <xs:sequence>
        <xs:element name="dashboardItemId" type="tns1:guid"/>
        <xs:element name="mappingId" type="tns1:guid"/>
        <xs:element name="values" nillable="true">
          <xs:complexType>
            <xs:sequence>
              <xs:any minOccurs="0" maxOccurs="unbounded"
namespace="http://www.w3.org/2001/XMLSchema" processContents="lax"/>
              <xs:any minOccurs="1" namespace="urn:schemas-microsoft-com:xml-diffgram-v1"
processContents="lax"/>
            </xs:sequence>
          </xs:complexType>
        </xs:element>
      </xs:sequence>
    </xs:extension>
  </xs:complexContent>

```

```

        </xs:sequence>
      </xs:complexType>
    </xs:element>
  </xs:sequence>
</xs:extension>
</xs:complexContent>
</xs:complexType>
<xs:element name="ParameterMessage" nillable="true" type="q1:ParameterMessage"/>
<xs:complexType name="ParameterDefinition">
  <xs:sequence>
    <xs:element name="customDefinition" nillable="true" type="xs:string"/>
    <xs:element name="defaultPostFormula" nillable="true" type="xs:string"/>
    <xs:element name="displayColumn" nillable="true" type="xs:string"/>
    <xs:element name="displayName" nillable="true" type="xs:string"/>
    <xs:element name="displayValues" nillable="true">
      <xs:complexType>
        <xs:sequence>
          <xs:any minOccurs="0" maxOccurs="unbounded"
namespace="http://www.w3.org/2001/XMLSchema" processContents="lax"/>
          <xs:any minOccurs="1" namespace="urn:schemas-microsoft-com:xml-diffgram-v1"
processContents="lax"/>
        </xs:sequence>
      </xs:complexType>
    </xs:element>
    <xs:element name="emitterType" type="q1:BeginPointEmitterType"/>
    <xs:element name="isDefaultColumn" nillable="true" type="xs:string"/>
    <xs:element name="keyColumn" nillable="true" type="xs:string"/>
    <xs:element name="parameterProviderId" nillable="true" type="xs:string"/>
    <xs:element name="parameterUniqueName" nillable="true" type="xs:string"/>
    <xs:element name="parentKeyColumn" nillable="true" type="xs:string"/>
  </xs:sequence>
</xs:complexType>
<xs:element name="ParameterDefinition" nillable="true" type="q1:ParameterDefinition"/>
<xs:simpleType name="BeginPointEmitterType">
  <xs:restriction base="xs:string">
    <xs:enumeration value="BothAConditionalVisibilityAndParameterEmitter"/>
    <xs:enumeration value="ConditionalVisibilityEmitter"/>
    <xs:enumeration value="ParameterEmitter"/>
  </xs:restriction>
</xs:simpleType>
<xs:element name="BeginPointEmitterType" nillable="true" type="q1:BeginPointEmitterType"/>
<xs:complexType name="ParameterMapping">
  <xs:sequence>
    <xs:element name="_isDefaultVisibility" type="xs:boolean"/>
    <xs:element name="conditionalData" nillable="true">
      <xs:complexType>
        <xs:sequence>
          <xs:any minOccurs="0" maxOccurs="unbounded"
namespace="http://www.w3.org/2001/XMLSchema" processContents="lax"/>
          <xs:any minOccurs="1" namespace="urn:schemas-microsoft-com:xml-diffgram-v1"
processContents="lax"/>
        </xs:sequence>
      </xs:complexType>
    </xs:element>
    <xs:element name="dashboardItemId" type="tns1:guid"/>
    <xs:element name="endPointUniqueName" nillable="true" type="xs:string"/>
    <xs:element name="id" type="tns1:guid"/>
    <xs:element name="isConditionalDataEnabled" type="xs:boolean"/>
    <xs:element name="parameterUniqueName" nillable="true" type="xs:string"/>
    <xs:element name="postFormula" nillable="true" type="xs:string"/>
    <xs:element name="sourceColumnName" nillable="true" type="xs:string"/>
  </xs:sequence>
</xs:complexType>
<xs:element name="ParameterMapping" nillable="true" type="q1:ParameterMapping"/>
<xs:complexType name="WebPartContextUpdate">
  <xs:sequence>
    <xs:element name="_clientViewStateWrapper" nillable="true"
type="q1:DictionaryWrapperOfstringstring"/>
    <xs:element name="_legacyFilterSelections" nillable="true" type="q1:ArrayOfBIData"/>
  </xs:sequence>
</xs:complexType>

```

```

    </xs:sequence>
  </xs:complexType>
  <xs:element name="WebPartContextUpdate" nillable="true" type="q1:WebPartContextUpdate"/>
</xs:schema>

```

## 7.5 <http://schemas.datacontract.org/2004/07/System> Schema

```

<?xml version="1.0"?>
<xs:schema xmlns:q3="http://schemas.datacontract.org/2004/07/System"
xmlns:tns1="http://schemas.microsoft.com/2003/10/Serialization/"
elementFormDefault="qualified"
targetNamespace="http://schemas.datacontract.org/2004/07/System"
xmlns:xs="http://www.w3.org/2001/XMLSchema">
  <xs:import namespace="http://schemas.microsoft.com/2003/10/Serialization/" />
  <xs:complexType name="ApplicationException">
    <xs:complexContent mixed="false">
      <xs:extension base="q3:Exception" />
    </xs:complexContent>
  </xs:complexType>
  <xs:element name="ApplicationException" nillable="true" type="q3:ApplicationException" />
  <xs:complexType name="Exception">
    <xs:sequence>
      <xs:any minOccurs="0" maxOccurs="unbounded" namespace="##local"
processContents="skip" />
    </xs:sequence>
    <xs:attribute ref="tns1:FactoryType" />
  </xs:complexType>
  <xs:element name="Exception" nillable="true" type="q3:Exception" />
</xs:schema>

```

## 7.6 <http://microsoft.com/wSDL/types/> Schema

```

<?xml version="1.0"?>
<xs:schema elementFormDefault="qualified" targetNamespace="http://microsoft.com/wSDL/types/"
xmlns:xs="http://www.w3.org/2001/XMLSchema">
  <xs:simpleType name="guid">
    <xs:restriction base="xs:string">
      <xs:pattern value="[0-9a-fA-F]{8}-[0-9a-fA-F]{4}-[0-9a-fA-F]{4}-[0-9a-fA-F]{4}-[0-9a-fA-F]{12}" />
    </xs:restriction>
  </xs:simpleType>
  <xs:simpleType name="char">
    <xs:restriction base="xs:unsignedShort" />
  </xs:simpleType>
</xs:schema>

```

## 7.7 <http://schemas.microsoft.com/2003/10/Serialization/Arrays> Schema

```

<?xml version="1.0"?>
<xs:schema xmlns:q4="http://schemas.microsoft.com/2003/10/Serialization/Arrays"
elementFormDefault="qualified"
targetNamespace="http://schemas.microsoft.com/2003/10/Serialization/Arrays"
xmlns:xs="http://www.w3.org/2001/XMLSchema">
  <xs:import namespace="http://schemas.datacontract.org/2004/07/System.Collections.Generic" />
  <xs:complexType name="ArrayOfKeyValueOfstringKeyValuePairOfintstringtwCi8m_S7">
    <xs:sequence>
      <xs:element minOccurs="0" maxOccurs="unbounded"
name="KeyValuePairOfstringKeyValuePairOfintstringtwCi8m_S7">
        <xs:complexType>
          <xs:sequence>
            <xs:element name="Key" nillable="true" type="xs:string" />

```

```

        <xs:element
xmlns:q5="http://schemas.datacontract.org/2004/07/System.Collections.Generic" name="Value"
type="q5:KeyValuePairOfintstring"/>
        </xs:sequence>
    </xs:complexType>
</xs:element>
</xs:sequence>
</xs:complexType>
<xs:element name="ArrayOfKeyValueOfstringKeyValuePairOfintstringtwCi8m_S7" nillable="true"
type="q4:ArrayOfKeyValueOfstringKeyValuePairOfintstringtwCi8m_S7"/>
<xs:complexType name="ArrayOfstring">
    <xs:sequence>
        <xs:element minOccurs="0" maxOccurs="unbounded" name="string" nillable="true"
type="xs:string"/>
    </xs:sequence>
</xs:complexType>
<xs:element name="ArrayOfstring" nillable="true" type="q4:ArrayOfstring"/>
<xs:complexType name="ArrayOfArrayOfKeyValueOfstringanyType">
    <xs:sequence>
        <xs:element minOccurs="0" maxOccurs="unbounded" name="ArrayOfKeyValueOfstringanyType"
nillable="true" type="q4:ArrayOfKeyValueOfstringanyType"/>
    </xs:sequence>
</xs:complexType>
<xs:element name="ArrayOfArrayOfKeyValueOfstringanyType" nillable="true"
type="q4:ArrayOfArrayOfKeyValueOfstringanyType"/>
<xs:complexType name="ArrayOfKeyValueOfstringanyType">
    <xs:sequence>
        <xs:element minOccurs="0" maxOccurs="unbounded" name="KeyValueOfstringanyType">
            <xs:complexType>
                <xs:sequence>
                    <xs:element name="Key" nillable="true" type="xs:string"/>
                    <xs:element name="Value" nillable="true" type="xs:anyType"/>
                </xs:sequence>
            </xs:complexType>
        </xs:element>
    </xs:sequence>
</xs:complexType>
<xs:element name="ArrayOfKeyValueOfstringanyType" nillable="true"
type="q4:ArrayOfKeyValueOfstringanyType"/>
<xs:complexType
name="ArrayOfKeyValueOfstringKeyValuePairOfintArrayOfstringty7Ep6D1twCi8m_S7">
    <xs:sequence>
        <xs:element minOccurs="0" maxOccurs="unbounded"
name="KeyValueOfstringKeyValuePairOfintArrayOfstringty7Ep6D1twCi8m_S7">
            <xs:complexType>
                <xs:sequence>
                    <xs:element name="Key" nillable="true" type="xs:string"/>
                    <xs:element
xmlns:q5="http://schemas.datacontract.org/2004/07/System.Collections.Generic" name="Value"
type="q5:KeyValuePairOfintArrayOfstringty7Ep6D1"/>
                </xs:sequence>
            </xs:complexType>
        </xs:element>
    </xs:sequence>
</xs:complexType>
<xs:element name="ArrayOfKeyValueOfstringKeyValuePairOfintArrayOfstringty7Ep6D1twCi8m_S7"
nillable="true"
type="q4:ArrayOfKeyValueOfstringKeyValuePairOfintArrayOfstringty7Ep6D1twCi8m_S7"/>
<xs:complexType name="ArrayOfArrayOfstring">
    <xs:sequence>
        <xs:element minOccurs="0" maxOccurs="unbounded" name="ArrayOfstring" nillable="true"
type="q4:ArrayOfstring"/>
    </xs:sequence>
</xs:complexType>
<xs:element name="ArrayOfArrayOfstring" nillable="true" type="q4:ArrayOfArrayOfstring"/>
</xs:schema>

```

## 7.8 <http://schemas.datacontract.org/2004/07/System.Collections.Generic> Schema

```
<?xml version="1.0"?>
<xs:schema xmlns:q5="http://schemas.datacontract.org/2004/07/System.Collections.Generic"
  elementFormDefault="qualified"
  targetNamespace="http://schemas.datacontract.org/2004/07/System.Collections.Generic"
  xmlns:xs="http://www.w3.org/2001/XMLSchema">
  <xs:import namespace="http://schemas.microsoft.com/2003/10/Serialization/" />
  <xs:import namespace="http://schemas.microsoft.com/2003/10/Serialization/Arrays" />
  <xs:complexType name="KeyValuePairOfintstring">
    <xs:sequence>
      <xs:element name="key" type="xs:int" />
      <xs:element name="value" nillable="true" type="xs:string" />
    </xs:sequence>
  </xs:complexType>
  <xs:element name="KeyValuePairOfintstring" nillable="true"
  type="q5:KeyValuePairOfintstring" />
  <xs:complexType name="KeyValuePairOfintArrayOfstringty7Ep6D1">
    <xs:sequence>
      <xs:element name="key" type="xs:int" />
      <xs:element xmlns:q4="http://schemas.microsoft.com/2003/10/Serialization/Arrays"
  name="value" nillable="true" type="q4:ArrayOfstring" />
    </xs:sequence>
  </xs:complexType>
  <xs:element name="KeyValuePairOfintArrayOfstringty7Ep6D1" nillable="true"
  type="q5:KeyValuePairOfintArrayOfstringty7Ep6D1" />
</xs:schema>
```

## 7.9 <http://schemas.datacontract.org/2004/07/Microsoft.PerformancePoint.Scorecards.ServerCommon> Schema

```
<?xml version="1.0"?>
<xs:schema
  xmlns:q19="http://schemas.datacontract.org/2004/07/Microsoft.PerformancePoint.Scorecards.ServerCommon"
  elementFormDefault="qualified"
  targetNamespace="http://schemas.datacontract.org/2004/07/Microsoft.PerformancePoint.Scorecards.ServerCommon"
  xmlns:xs="http://www.w3.org/2001/XMLSchema">
  <xs:complexType name="ParameterSearchResultRecord">
    <xs:sequence>
      <xs:element name="ancestors" nillable="true" type="xs:string" />
      <xs:element name="_resultNodes" nillable="true" type="xs:string" />
    </xs:sequence>
  </xs:complexType>
  <xs:element name="ParameterSearchResultRecord" nillable="true"
  type="q19:ParameterSearchResultRecord" />
  <xs:complexType name="ParameterGetRemainingResultRecord">
    <xs:sequence>
      <xs:element name="members" nillable="true" type="xs:string" />
    </xs:sequence>
  </xs:complexType>
  <xs:element name="ParameterGetRemainingResultRecord" nillable="true"
  type="q19:ParameterGetRemainingResultRecord" />
  <xs:complexType name="ArrayOfSubstitutionPair">
    <xs:sequence>
      <xs:element minOccurs="0" maxOccurs="unbounded" name="SubstitutionPair" nillable="true"
  type="q19:SubstitutionPair" />
    </xs:sequence>
  </xs:complexType>
  <xs:element name="ArrayOfSubstitutionPair" nillable="true"
  type="q19:ArrayOfSubstitutionPair" />
  <xs:complexType name="SubstitutionPair">
    <xs:sequence>
      <xs:element name="x003C Token x003E k BackingField" nillable="true"
  type="xs:string" />
      <xs:element name="x003C Value x003E k BackingField" nillable="true"
  type="xs:string" />
    </xs:sequence>
  </xs:complexType>
```

```
</xs:complexType>
<xs:element name="SubstitutionPair" nillable="true" type="q19:SubstitutionPair"/>
</xs:schema>
```

## 7.10 <http://schemas.datacontract.org/2004/07/System.Data> Schema

```
<?xml version="1.0"?>
<xs:schema elementFormDefault="qualified"
targetNamespace="http://schemas.datacontract.org/2004/07/System.Data"
xmlns:xs="http://www.w3.org/2001/XMLSchema">
  <xs:element name="DataTable" nillable="true">
    <xs:complexType>
      <xs:sequence>
        <xs:any minOccurs="0" maxOccurs="unbounded"
namespace="http://www.w3.org/2001/XMLSchema" processContents="lax"/>
        <xs:any minOccurs="1" namespace="urn:schemas-microsoft-com:xml-diffgram-v1"
processContents="lax"/>
      </xs:sequence>
    </xs:complexType>
  </xs:element>
</xs:schema>
```

Preliminary

## 8 Appendix C: Product Behavior

The information in this specification is applicable to the following Microsoft products or supplemental software. References to product versions include released service packs.

The information in this technical document is applicable to the following Microsoft products or supplemental software. References to product versions include released service packs.

- Microsoft SharePoint Server 2010
- Microsoft SharePoint Server 2013
- Microsoft SharePoint Server 2016 Preview

Exceptions, if any, are noted below. If a service pack or Quick Fix Engineering (QFE) number appears with the product version, behavior changed in that service pack or QFE. The new behavior also applies to subsequent service packs of the product unless otherwise specified. If a product edition appears with the product version, behavior is different in that product edition.

Unless otherwise specified, any statement of optional behavior in this specification that is prescribed using the terms SHOULD or SHOULD NOT implies product behavior in accordance with the SHOULD or SHOULD NOT prescription. Unless otherwise specified, the term MAY implies that the product does not follow the prescription.

[<1> Section 2.2.4](#): This type is available only in SharePoint Server 2013.

[<2> Section 2.2.4.15](#): This type is available only in SharePoint Server 2013.

[<3> Section 3.1.2](#): In SharePoint Server 2010, the default query timeout is 300 seconds.

[<4> Section 3.1.4](#): This operation is available only in SharePoint Server 2013.

[<5> Section 3.1.4](#): This operation is available only in SharePoint Server 2013.

[<6> Section 3.1.4](#): This operation is available only in SharePoint Server 2013.

[<7> Section 3.1.4](#): In SharePoint Server 2010, the **RenderTreeMemberSelector** method is not used.

[<8> Section 3.1.4](#): This operation is available only in SharePoint Server 2013.

[<9> Section 3.1.4](#): This operation is available only in SharePoint Server 2013.

[<10> Section 3.1.4.6.3.1](#): This type is available only in SharePoint Server 2013.

[<11> Section 3.1.4.10](#): This operation is available only in SharePoint Server 2013.

[<12> Section 3.1.4.11](#): This operation is available only in SharePoint Server 2013.

[<13> Section 3.1.4.25](#): In SharePoint Server 2010, the **RenderTreeMemberSelector** method is not used.

[<14> Section 3.1.4.30](#): This operation is available only in SharePoint Server 2013.

[<15> Section 3.1.4.33](#): This operation is available only in SharePoint Server 2013.

[<16> Section 3.1.4.34](#): This operation is available only in SharePoint Server 2013.



## 9 Change Tracking

This section identifies changes that were made to this document since the last release. Changes are classified as New, Major, Minor, Editorial, or No change.

The revision class **New** means that a new document is being released.

The revision class **Major** means that the technical content in the document was significantly revised. Major changes affect protocol interoperability or implementation. Examples of major changes are:

- A document revision that incorporates changes to interoperability requirements or functionality.
- The removal of a document from the documentation set.

The revision class **Minor** means that the meaning of the technical content was clarified. Minor changes do not affect protocol interoperability or implementation. Examples of minor changes are updates to clarify ambiguity at the sentence, paragraph, or table level.

The revision class **Editorial** means that the formatting in the technical content was changed. Editorial changes apply to grammatical, formatting, and style issues.

The revision class **No change** means that no new technical changes were introduced. Minor editorial and formatting changes may have been made, but the technical content of the document is identical to the last released version.

Major and minor changes can be described further using the following change types:

- New content added.
- Content updated.
- Content removed.
- New product behavior note added.
- Product behavior note updated.
- Product behavior note removed.
- New protocol syntax added.
- Protocol syntax updated.
- Protocol syntax removed.
- New content added due to protocol revision.
- Content updated due to protocol revision.
- Content removed due to protocol revision.
- New protocol syntax added due to protocol revision.
- Protocol syntax updated due to protocol revision.
- Protocol syntax removed due to protocol revision.
- Obsolete document removed.

Editorial changes are always classified with the change type **Editorially updated**.

Some important terms used in the change type descriptions are defined as follows:

- **Protocol syntax** refers to data elements (such as packets, structures, enumerations, and methods) as well as interfaces.
- **Protocol revision** refers to changes made to a protocol that affect the bits that are sent over the wire.

The changes made to this document are listed in the following table. For more information, please contact [dochelp@microsoft.com](mailto:dochelp@microsoft.com).

Section	Tracking number (if applicable) and description	Major change (Y or N)	Change type
<a href="#">8</a> Appendix C: Product Behavior	Updated list of supported products.	Y	Content updated due to protocol revision.

Preliminary

## 10 Index

### A

Abstract data model  
[server](#) 40  
[Annotation update example](#) 148  
[CreateAnnotation](#) 148  
[DeleteAnnotation](#) 151  
[UpdateAnnotation](#) 150  
[Applicability](#) 22  
[ArrayOfArrayOfKeyValueOfstringanyType complex type](#) 26  
[ArrayOfArrayOfString complex type](#) 26  
[ArrayOfBIData complex type](#) 27  
[ArrayOfKeyValueOfstringanyType complex type](#) 27  
[ArrayOfScriptDependency complex type](#) 28  
[ArrayOfSubstitutionPair complex type](#) 28  
[Attribute groups](#) 39  
[Attributes](#) 39  
AutoExpand operation ([section 3.1.4](#) 43, [section 3.1.4.32](#) 138)

### B

[BIData complex type](#) 28  
[BpmException complex type](#) 29

### C

[Capability negotiation](#) 22  
[Change tracking](#) 345  
Client  
[overview](#) 40  
[Common data structures](#) 39  
[Complex types](#) 25  
[ArrayOfArrayOfKeyValueOfstringanyType](#) 26  
[ArrayOfArrayOfString](#) 26  
[ArrayOfBIData](#) 27  
[ArrayOfKeyValueOfstringanyType](#) 27  
[ArrayOfScriptDependency](#) 28  
[ArrayOfSubstitutionPair](#) 28  
[BIData](#) 28  
[BpmException](#) 29  
[DecompQueryParameters](#) 29  
[DictionaryWrapperOfStringArrayOfString](#) 37  
[DictionaryWrapperOfStringListOfString](#) 30  
[DictionaryWrapperOfStringString](#) 30  
[ExportSettings](#) 30  
[OfficeExportInfo](#) 31  
[ParameterMessage](#) 31  
[ParameterSearchResultRecord](#) 32  
[ResourceDependencies](#) 32  
[ScriptDependency](#) 33  
[Setting](#) 33  
[SubstitutionPair](#) 36  
[WebPartContext](#) 36  
[WebPartContextUpdate](#) 37  
CreateNavigationMetadata operation ([section 3.1.4](#) 43, [section 3.1.4.1](#) 49)  
CreateReportHtml operation ([section 3.1.4](#) 43, [section 3.1.4.2](#) 52)

### D

Data model - abstract  
[server](#) 40  
DecompAutoExpand operation ([section 3.1.4](#) 43, [section 3.1.4.32](#) 138)  
DecompExpand operation ([section 3.1.4](#) 43, [section 3.1.4.33](#) 140)  
[DecompQueryParameters complex type](#) 29  
DecompStartAnalyze operation ([section 3.1.4](#) 43, [section 3.1.4.3](#) 55)  
[DictionaryWrapperOfStringArrayOfString complex type](#) 37  
[DictionaryWrapperOfStringListOfString complex type](#) 30  
[DictionaryWrapperOfStringString complex type](#) 30

### E

Events  
[local - server](#) 147  
[timer - server](#) 147  
Examples  
[annotation update](#) 148  
[overview](#) 148  
[scorecard render](#) 152  
[ExportFormat simple type](#) 38  
ExportReport operation ([section 3.1.4](#) 43, [section 3.1.4.4](#) 57)  
[ExportSettings complex type](#) 30  
ExportScorecard operation ([section 3.1.4](#) 43, [section 3.1.4.5](#) 60)

### F

Faults message  
[common list of error codes](#) 25  
[full list of possible error codes](#) 24  
[SOAP fault detail element](#) 24  
[Fields - vendor-extensible](#) 22  
[Full WSDL](#) 161  
[http://tempuri.org/ WSDL](#) 274  
  
[http://www.microsoft.com/performancepoint/scorecards WSDL](#) 161  
[Full XML schema](#) 282  
[http://microsoft.com/wsdl/types/ Schema](#) 340  
  
[http://schemas.datacontract.org/2004/07/Microsoft.PerformancePoint.Scorecards.Schema](#) 336  
  
[http://schemas.datacontract.org/2004/07/Microsoft.PerformancePoint.Scorecards.ServerCommon.Schema](#) 342  
  
[http://schemas.datacontract.org/2004/07/Microsoft.PerformancePoint.Scorecards.ServerCommon.Export.Schema](#) 336  
[http://schemas.datacontract.org/2004/07/System.Schema](#) 340

<http://schemas.datacontract.org/2004/07/System.Collections.Generic.Schema> 342

<http://schemas.datacontract.org/2004/07/System.Data.Schema> 343

<http://schemas.microsoft.com/2003/10/Serialization/Schema> 335

<http://schemas.microsoft.com/2003/10/Serialization/Arrays.Schema> 340

<http://www.microsoft.com/performancepoint/scorcards.Schema> 282

## G

GetDrillThroughPreview operation ([section 3.1.4](#) 43, [section 3.1.4.6](#) 62)

GetFilterDependencies operation ([section 3.1.4](#) 43, [section 3.1.4.7](#) 67)

GetFilterDisplayData operation ([section 3.1.4](#) 43, [section 3.1.4.8](#) 69)

GetParameterMessageData operation ([section 3.1.4](#) 43, [section 3.1.4.9](#) 72)

GetRemainingParameterDisplayData operation ([section 3.1.4](#) 43, [section 3.1.4.10](#) 76)

GetRemainingSearchResults operation ([section 3.1.4](#) 43, [section 3.1.4.11](#) 79)

GetRenderControlPreview operation ([section 3.1.4](#) 43, [section 3.1.4.12](#) 82)

GetReportDependencies operation ([section 3.1.4](#) 43, [section 3.1.4.13](#) 85)

GetReportViewImageData operation ([section 3.1.4](#) 43, [section 3.1.4.14](#) 88)

GetScorecardDependencies operation ([section 3.1.4](#) 43, [section 3.1.4.15](#) 91)

GetSetting operation ([section 3.1.4](#) 43, [section 3.1.4.16](#) 93)

GetSettings operation ([section 3.1.4](#) 43, [section 3.1.4.17](#) 96)

GetSettingValue operation ([section 3.1.4](#) 43, [section 3.1.4.18](#) 99)

GetStrategyMapReportView operation ([section 3.1.4](#) 43, [section 3.1.4.19](#) 101)

[Glossary](#) 16

[Groups](#) 39

## I

[Implementer - security considerations](#) 160

[Index of security parameters](#) 160

[Informative references](#) 21

Initialization

[server](#) 43

[Introduction](#) 16

## L

Local events

[server](#) 147

## M

MaintenanceJob operation ([section 3.1.4](#) 43, [section 3.1.4.20](#) 104)

Message processing

[server](#) 43

[Messages](#) 23

[ArrayOfArrayOfKeyValueOfstringanyType complex type](#) 26

[ArrayOfArrayOfString complex type](#) 26

[ArrayOfBIData complex type](#) 27

[ArrayOfKeyValueOfstringanyType complex type](#) 27

[ArrayOfScriptDependency complex type](#) 28

[ArrayOfSubstitutionPair complex type](#) 28

[attribute groups](#) 39

[attributes](#) 39

[BIData complex type](#) 28

[BpmException complex type](#) 29

[common data structures](#) 39

[complex types](#) 25

[DecompQueryParameters complex type](#) 29

[DictionaryWrapperOfStringArrayOfString complex type](#) 37

[DictionaryWrapperOfStringListOfString complex type](#) 30

[DictionaryWrapperOfStringString complex type](#) 30

[elements](#) 25

[enumerated](#) 24

[ExportFormat simple type](#) 38

[ExportSettings complex type](#) 30

[Faults](#) 24

[Faults message](#) 24

[groups](#) 39

[namespaces](#) 23

[OfficeExportInfo complex type](#) 31

[ParameterMessage complex type](#) 31

[ParameterSearchResultRecord complex type](#) 32

[ResourceDependencies complex type](#) 32

[ScriptDependency complex type](#) 33

[Setting complex type](#) 33

[SettingType simple type](#) 38

[simple types](#) 38

[SubstitutionPair complex type](#) 36

[syntax](#) 23

[transport](#) 23

[WebPartContext complex type](#) 36

[WebPartContextUpdate complex type](#) 37

## N

[Namespaces](#) 23

[Normative references](#) 20

## O

[OfficeExportInfo complex type](#) 31

Operations

[CreateNavigationMetadata](#) 49

[CreateReportHtml](#) 52

[DecompAutoExpand](#) 138

[DecompExpand](#) 140

[DecompStartAnalyze](#) 55

[ExportReport](#) 57

[ExportScorecard](#) 60

[GetDrillThroughPreview](#) 62

[GetFilterDependencies](#) 67

[GetFilterDisplayData](#) 69

[GetParameterMessageData](#) 72  
[GetRemainingParameterDisplayData](#) 76  
[GetRemainingSearchResults](#) 79  
[GetRenderControlPreview](#) 82  
[GetReportDependencies](#) 85  
[GetReportViewImageData](#) 88  
[GetScorecardDependencies](#) 91  
[GetSetting](#) 93  
[GetSettings](#) 96  
[GetSettingValue](#) 99  
[GetStrategyMapReportView](#) 101  
[MaintenanceJob](#) 104  
[RenderFilter](#) 106  
[RenderReport](#) 109  
[RenderScorecard](#) 112  
[RenderScorecardAjaxControl](#) 116  
[RenderTreeMemberSelector](#) 119  
[ReportSupportsExportFormat](#) 122  
[SaveFilterValues](#) 124  
[SaveTemporaryStrategyMapReport](#) 127  
[ScorecardSupportsExportFormat](#) 129  
[SearchParameterDisplayData](#) 132  
[UpdateSettingValue](#) 135  
[ValidateSiteCollection](#) 143  
[Overview \(synopsis\)](#) 21

**P**

[ParameterMessage complex type](#) 31  
[Parameters - security index](#) 160  
[ParameterSearchResultRecord complex type](#) 32  
[Preconditions](#) 21  
[Prerequisites](#) 21  
[Product behavior](#) 344  
[Protocol Details overview](#) 40

**R**

[References](#) 19  
   [informative](#) 21  
   [normative](#) 20  
[Relationship to other protocols](#) 21  
[RenderFilter operation \(section 3.1.4 43, section 3.1.4.21 106\)](#)  
[RenderReport operation \(section 3.1.4 43, section 3.1.4.22 109\)](#)  
[RenderScorecard operation \(section 3.1.4 43, section 3.1.4.23 112\)](#)  
[RenderScorecardAjaxControl operation \(section 3.1.4 43, section 3.1.4.24 116\)](#)  
[RenderTreeMemberSelector operation \(section 3.1.4 43, section 3.1.4.25 119\)](#)  
[ReportSupportsExportFormat operation \(section 3.1.4 43, section 3.1.4.26 122\)](#)  
[ResourceDependencies complex type](#) 32

**S**

[SaveFilterValues operation \(section 3.1.4 43, section 3.1.4.27 124\)](#)  
[SaveTemporaryStrategyMapReport operation \(section 3.1.4 43, section 3.1.4.28 127\)](#)  
[Scorecard render example](#) 152  
[GetScorecardDependencies](#) 152  
[GetSettingValue](#) 154  
[RenderScorecard](#) 155  
[ScorecardSupportsExportFormat](#) 153  
[ScorecardSupportsExportFormat operation \(section 3.1.4 43, section 3.1.4.29 129\)](#)  
[ScriptDependency complex type](#) 33  
[SearchParameterDisplayData operation \(section 3.1.4 43, section 3.1.4.30 132\)](#)  
[Security](#)  
   [implementer considerations](#) 160  
   [parameter index](#) 160  
[Sequencing rules](#)  
   [server](#) 43  
[Server](#)  
   [abstract data model](#) 40  
   [CreateNavigationMetadata operation](#) 49  
   [CreateReportHtml operation](#) 52  
   [DecompAutoExpand operation](#) 138  
   [DecompExpand operation](#) 140  
   [DecompStartAnalyze operation](#) 55  
   [details](#) 40  
   [ExportReport operation](#) 57  
   [ExportScoreCard operation](#) 60  
   [GetDrillThroughPreview operation](#) 62  
   [GetFilterDependencies operation](#) 67  
   [GetFilterDisplayData operation](#) 69  
   [GetParameterMessageData operation](#) 72  
   [GetRemainingParameterDisplayData operation](#) 76  
   [GetRemainingSearchResults operation](#) 79  
   [GetRenderControlPreview operation](#) 82  
   [GetReportDependencies operation](#) 85  
   [GetReportViewImageData operation](#) 88  
   [GetScorecardDependencies operation](#) 91  
   [GetSetting operation](#) 93  
   [GetSettings operation](#) 96  
   [GetSettingValue operation](#) 99  
   [GetStrategyMapReportView operation](#) 101  
   [initialization](#) 43  
   [local events](#) 147  
   [MaintenanceJob operation](#) 104  
   [message processing](#) 43  
   [overview](#) 40  
   [RenderFilter operation](#) 106  
   [RenderReport operation](#) 109  
   [RenderScorecard operation](#) 112  
   [RenderScorecardAjaxControl operation](#) 116  
   [RenderTreeMemberSelector operation](#) 119  
   [ReportSupportsExportFormat operation](#) 122  
   [SaveFilterValues operation](#) 124  
   [SaveTemporaryStrategyMapReport operation](#) 127  
   [ScorecardSupportsExportFormat operation](#) 129  
   [SearchParameterDisplayData operation](#) 132  
   [sequencing rules](#) 43  
   [timer events](#) 147  
   [timers](#) 43  
   [UpdateSettingValue operation](#) 135  
   [ValidateSiteCollection operation](#) 143  
   [Setting complex type](#) 33  
   [SettingType simple type](#) 38  
   [Simple types](#) 38  
     [ExportFormat](#) 38  
     [SettingType](#) 38  
   [Standards assignments](#) 22  
   [SubstitutionPair complex type](#) 36  
[Syntax](#)

[messages - overview](#) 23

## T

Timer events

[server](#) 147

Timers

[server](#) 43

[Tracking changes](#) 345

[Transport](#) 23

Types

[complex](#) 25

[simple](#) 38

## U

UpdateSettingValue operation ([section 3.1.4](#) 43,  
[section 3.1.4.31](#) 135)

## V

ValidateSiteCollection operation ([section 3.1.4](#) 43,  
[section 3.1.4.34](#) 143)

[Vendor-extensible fields](#) 22

[Versioning](#) 22

## W

[WebPartContext complex type](#) 36

[WebPartContextUpdate complex type](#) 37

[WSDL](#) 161

<http://tempuri.org/ WSDL> 274

<http://www.microsoft.com/performancepoint/scorecards WSDL> 161

## X

[XML schema](#) 282

<http://microsoft.com/wsd/types/ Schema> 340

<http://schemas.datacontract.org/2004/07/Microsoft.PerformancePoint.Scorecards Schema> 336

<http://schemas.datacontract.org/2004/07/Microsoft.PerformancePoint.Scorecards.ServerCommon Schema> 342

<http://schemas.datacontract.org/2004/07/Microsoft.PerformancePoint.Scorecards.ServerCommon.Export Schema> 336

<http://schemas.datacontract.org/2004/07/System Schema> 340

<http://schemas.datacontract.org/2004/07/System.Collections.Generic Schema> 342

<http://schemas.datacontract.org/2004/07/System.Data Schema> 343

<http://schemas.microsoft.com/2003/10/Serialization/ Schema> 335

<http://schemas.microsoft.com/2003/10/Serialization/Arrays Schema> 340

<http://www.microsoft.com/performancepoint/scorecards Schema> 282