



# Perceptive Pixel by Microsoft

82" Touch Device packing and unpacking quick guide

Perceptive Pixel by Microsoft

This document contains procedures for packing and unpacking the Perceptive Pixel (PPI) by Microsoft 82" Touch Device.

## Safety Considerations

Due to the weight of the device, packing and unpacking the device from the crate requires four people. Each person should be able to lift 70 lbs.

## Tools

- Cordless drill with Phillips #2 bit
- 5mm hex Allen wrench (T handle and right angle versions are recommended)
- Box cutter or knife

## Parts

- 201-0185: Metal wall mount brackets (2)
- M8x25 button head cap screws (8)
- 201-0187: Metal wall mount locking brackets (2)
- Clevises (4)
- Cotter pins (4)



Figure 1. Metal wall mount bracket on the left, metal wall mount locking brackets on the right

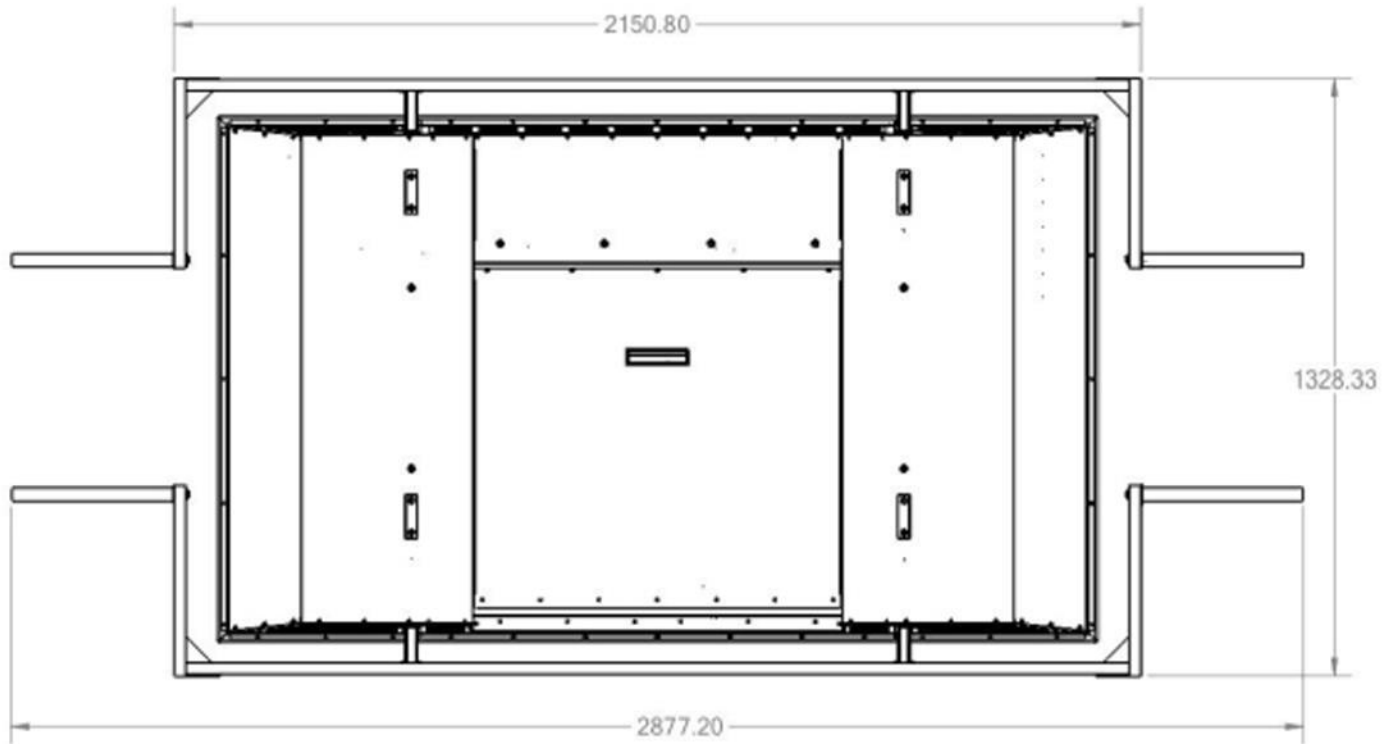


Figure 2. Device dimensions in millimeters with lifting frame and lifting handles

## Opening the crate

1. If possible, roll the crate into the room that will house the device. If you move the device with a furniture dolly, be particularly careful. The outside caster wheels do not have locking features but they may not be effective. It is recommended that the wheels are blocked so they can't move during removal.
2. Use the cordless drill to remove all screws on the exterior of crate. Figure 3 shows the screws on the top, sides, and accessory door.
3. Remove the accessory door and top wooden cover. Note that the top cover is heavy and lifting it requires at least two people. Also note that the center of gravity is near the outside wall so care needs to be taken when removing the cover. Both the door and top cover may be a tight fit to the wooden base so some extra effort might be required to remove them.
4. While being careful with device, cut the sides off of the pink plastic protective cover to expose the lift bars that are attached to device.

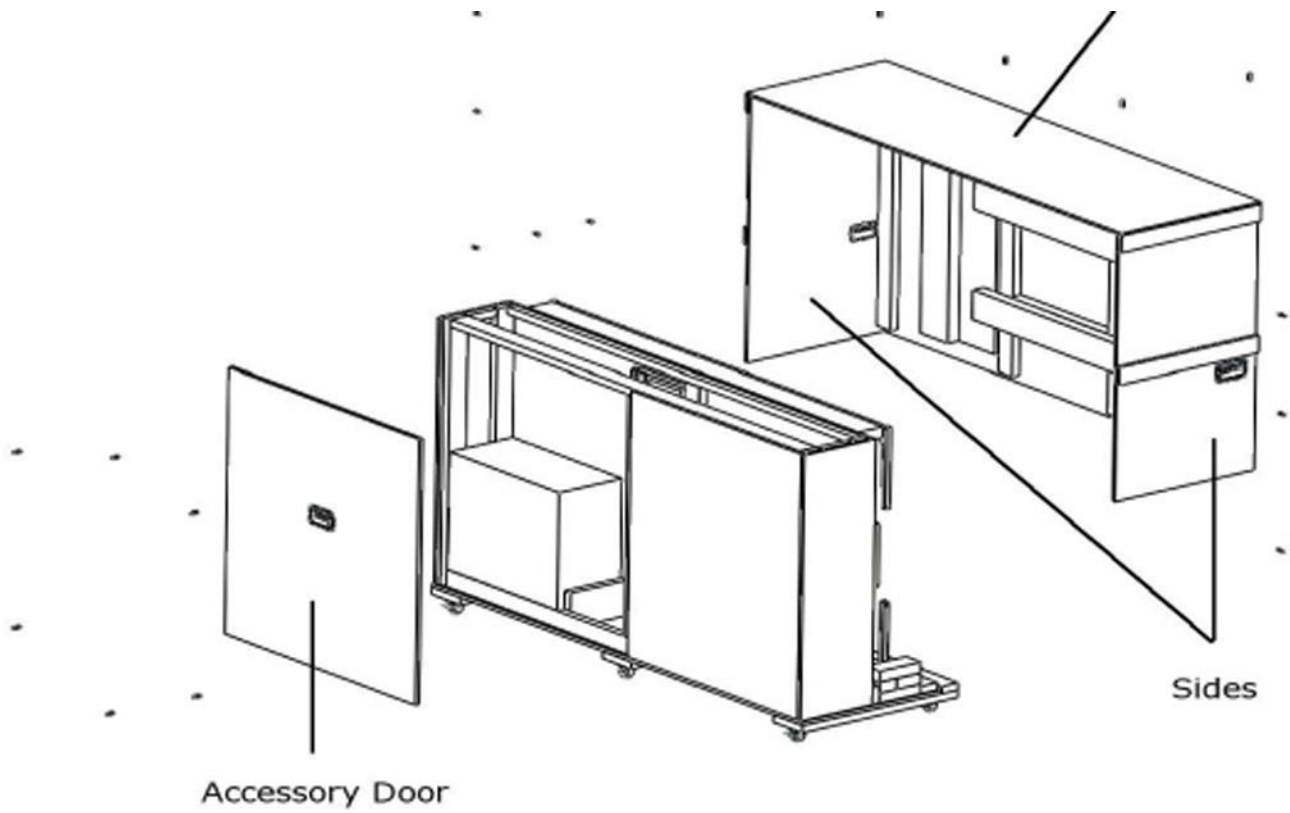


Figure 3. Screws shown in exploded view

# Attaching the lifting handles and wall mount bracket

Use the following steps to attach the lifting handles and wall mount bracket:

1. In the accessory space of the crate, locate the four lifting handles. Attach the four lifting handles to the lifting frames as shown below (pink cover not shown) using 5mm hex tool if needed.

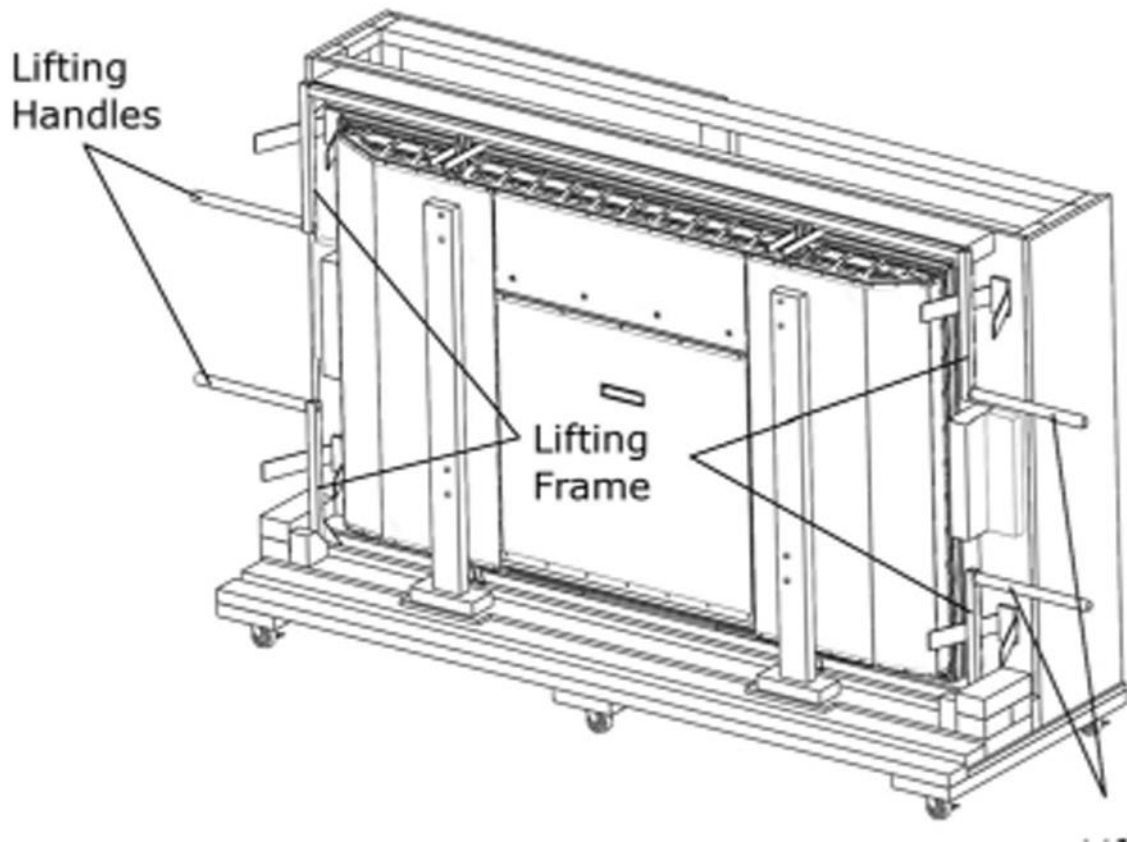


Figure 4. Lifting handles attached to lifting frames as indicated

- Use a 5mm hex tool to remove the bolts and the 2 x 4 wooden shipping supports that the bolts secure to the back of the device.

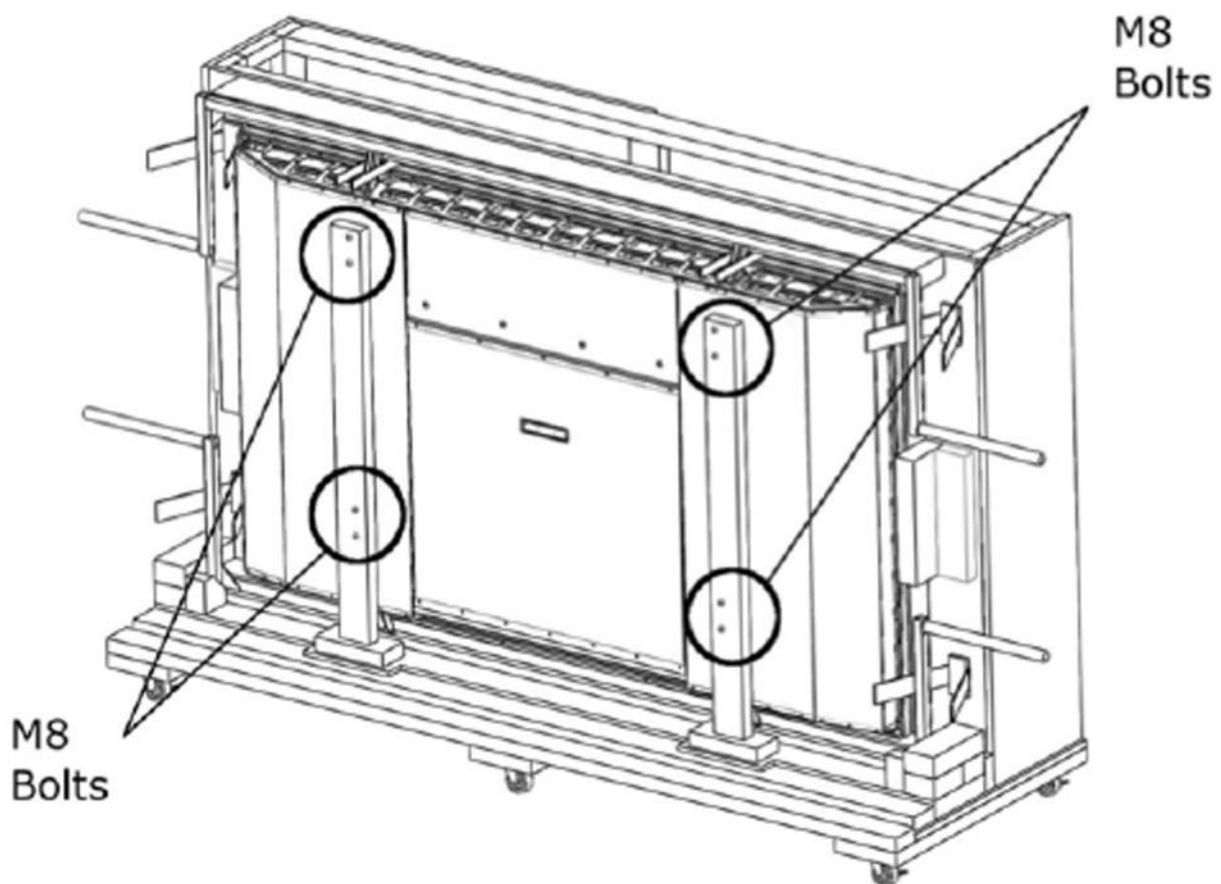


Figure 5. Socket head bolt locations indicated. There are eight bolts in all.

3. While the PPI 82" Touch Device is still in the crate, install the metal wall mount brackets with the M8x25 button head cap thumbscrews. Tighten the bolts completely. Industry standards recommend the following amount of torque: 24 N-m (212 in-lb). Mount the brackets so that the slots on the side are the bottom end as shown in figure 6.

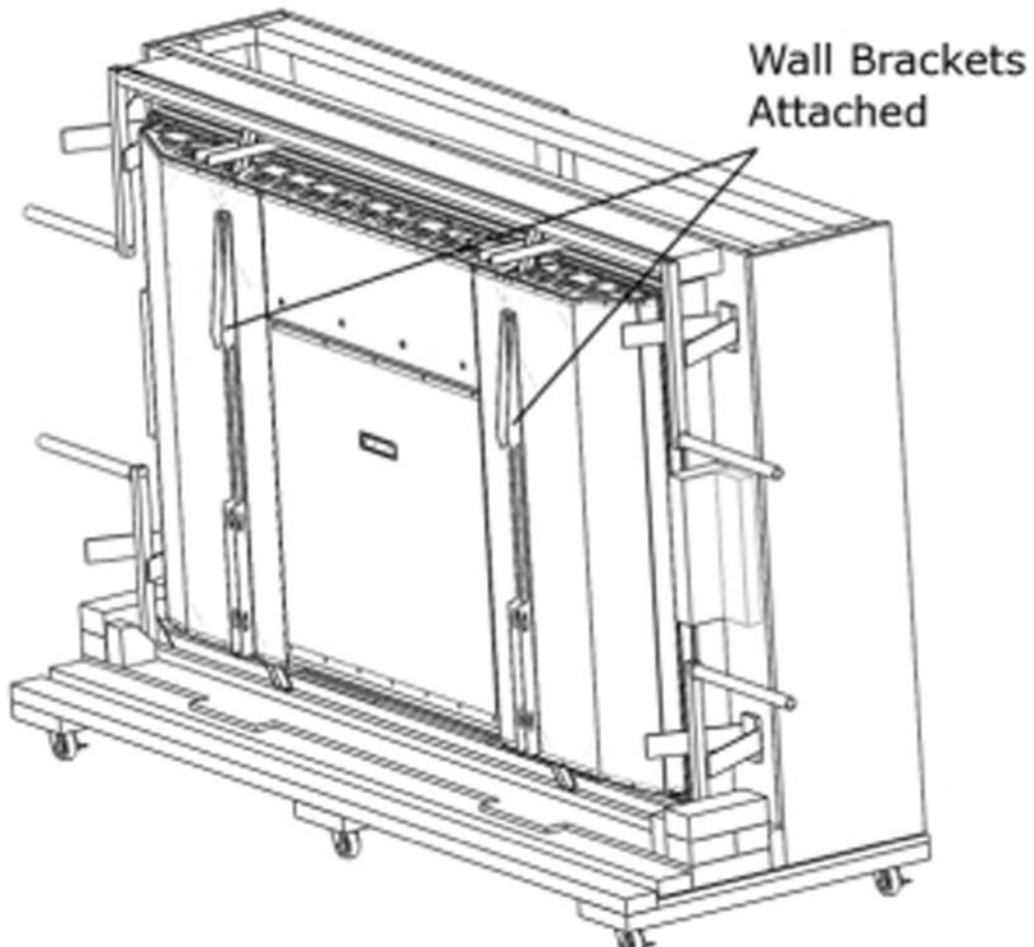


Figure 6. Wall mount brackets attached. Note the orientation of the brackets with the bracket slots at the bottom.

4. While the PPI 82" Touch Device is still in the crate, install the metal wall mount locking brackets with supplied clevises and cotter pins 4 places on each side.
5. While the PPI 82" Touch Device is still in the crate, use the Allen wrench to install the M8x35 button head bolts through the bottom of the vertical locking parts. Each of these two screws should be engaged by only a couple of threads to allow maximum clearance between the "jaws" of the bracket. This will make it easier to apply the wall mount bracket when hanging the device on the wall mount.

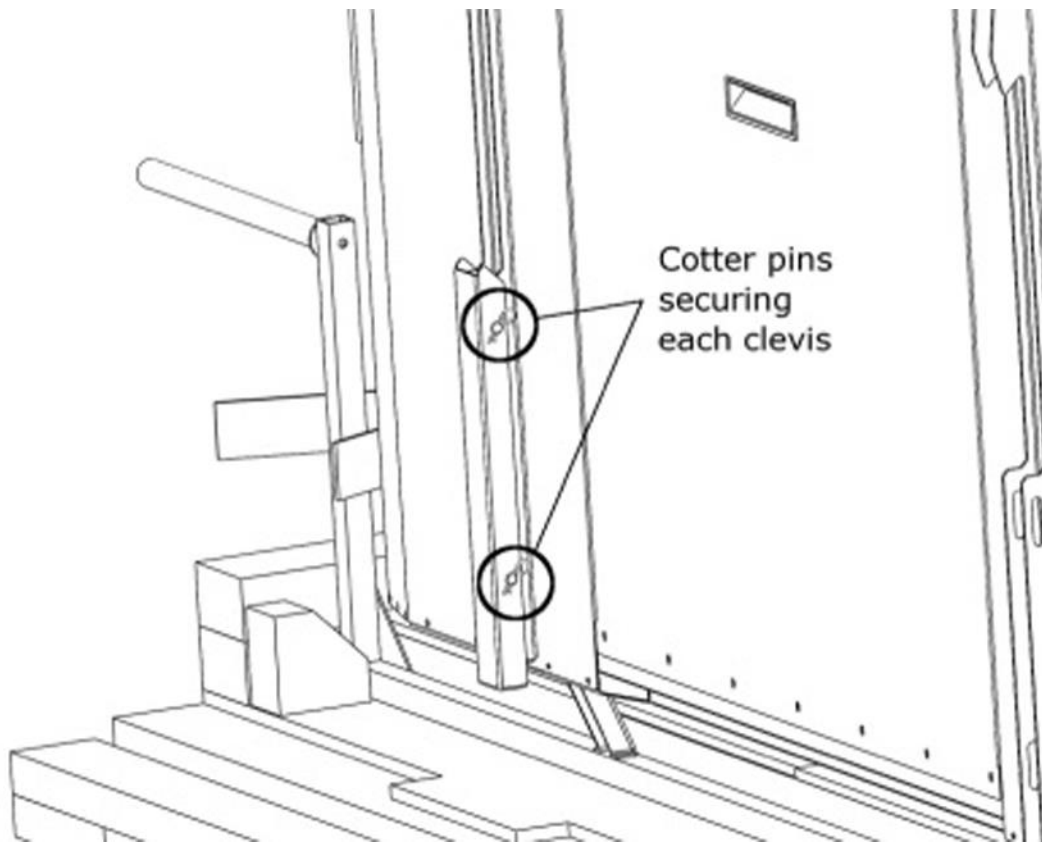


Figure 7. Each clevis is inserted through wall mount brackets and mated wall mount locking brackets. Each clevis is also secured with a cotter pin (only left rear side of device shown).



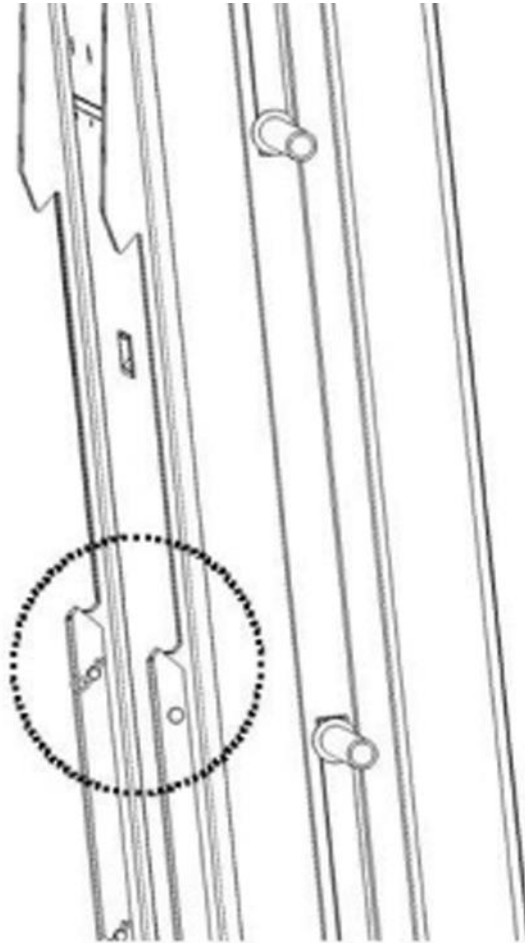


Figure 8. Close-up of wall mount locking bracket with top of wall mount bracket barely protruding. This is because the bolt shown in figure 7 has only been tightened slightly. When you later affix the device to the wall mount you will tighten the bolt to push the wall mount locking bracket upward.

6. While holding the device steady, the six Velcro straps can be undone. Now the device is ready to be affixed to the wall mount as described in the [Perceptive Pixel by Microsoft 82" Touch Device mounting quick guide](#). To pack the device into its shipping container, reverse the steps in this guide.

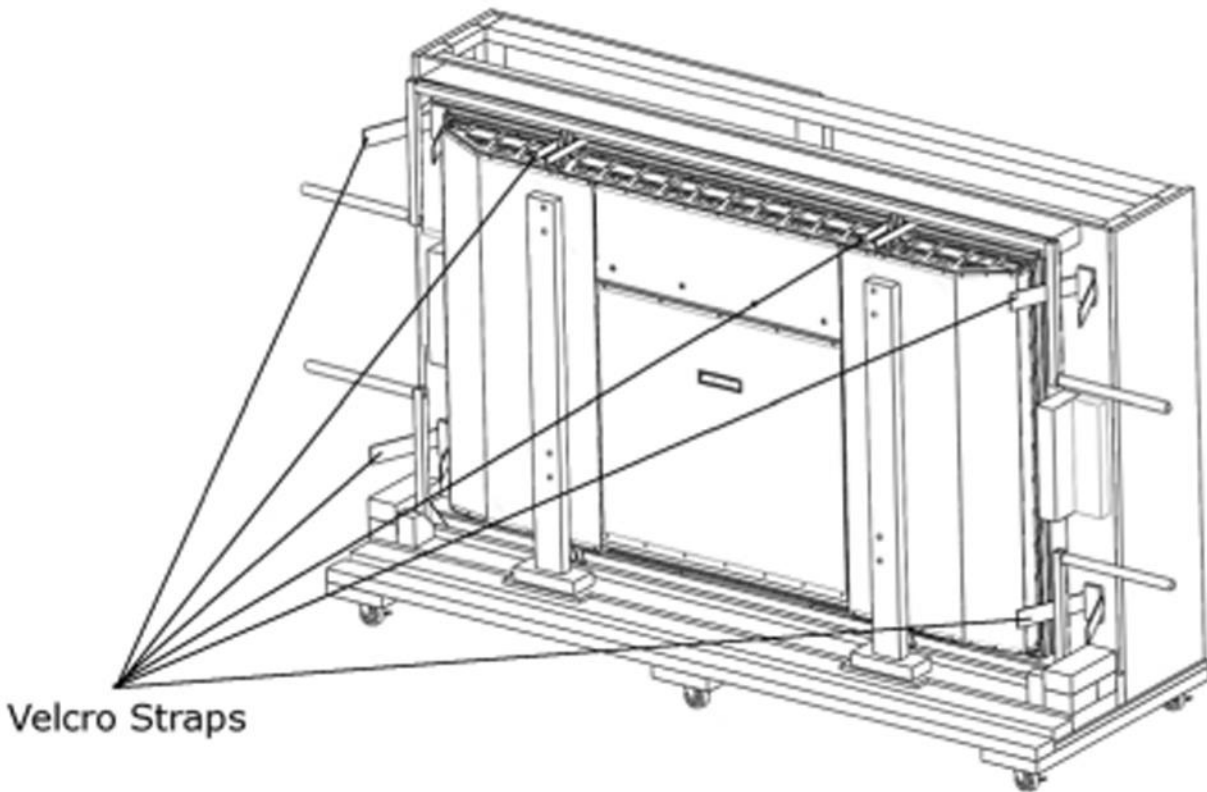


Figure 9. Velcro straps undone

# Perceptive Pixel by Microsoft

Microsoft